



# Instruction Manual for Model LBFA-DT Mini Touch Dimmer

## Safety Precaution

1. Do not scratch the sensing area. Do not disassemble, repair, or modify the device.
2. Disconnect the power (adapter) before installing/removing this dimmer.
3. Do not use this device near water, or moisture for indoor use only.
4. This product should only be operated from the type of power source indicated on the label.

**Operating Voltage** : DC 24V±5% ; Recommended Power Supply : CPS-24VDC-48W (24VDC/2A/48W)  
Max 40W or 11.8ft (360cm) of LBFA LuxBar series Light Fixtures

## Part Definition

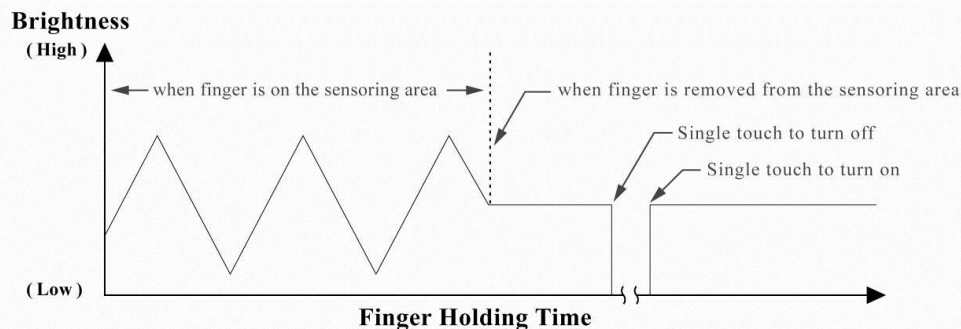
Mini Touch Dimmer	Included Power Line (needed to use dimmer)
	 <p style="text-align: center;"><b>LBFA-PDT</b></p>

(1). Dimmer I/O socket – connect to adapter or light bar (bi-directional)

(2). Sensor area – sensing region for on/off or dimming control

## Operation Description

1. **On/Off:** Use your finger to touch the sensor area shortly. (single touch, ~0.5 seconds, see Fig.1)
2. **Dimming:** Continue to hold the finger on the sensor area, it will dim the light bar brightness in a cycling pattern. Remove your finger when it reaches the desired brightness.(see Fig.1)
3. **Brightness setting memory:** The previous selected brightness is stored until power is removed from the dimmer

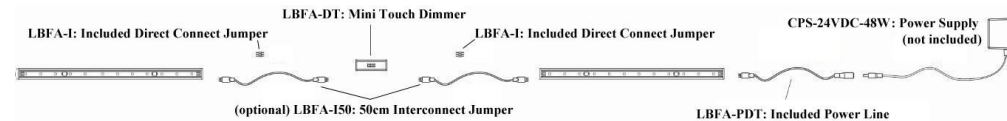


**System Configuration** – Mini dimmer can be installed at any place in a light bar chain or network. Several scenarios are illustrated below.

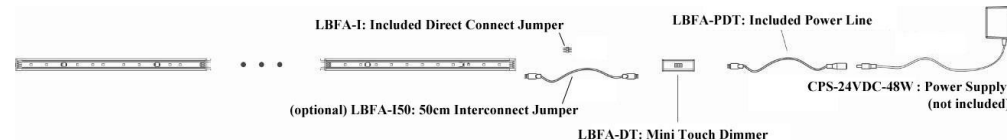
### Scenario 1: Dimmer at the end of a chain



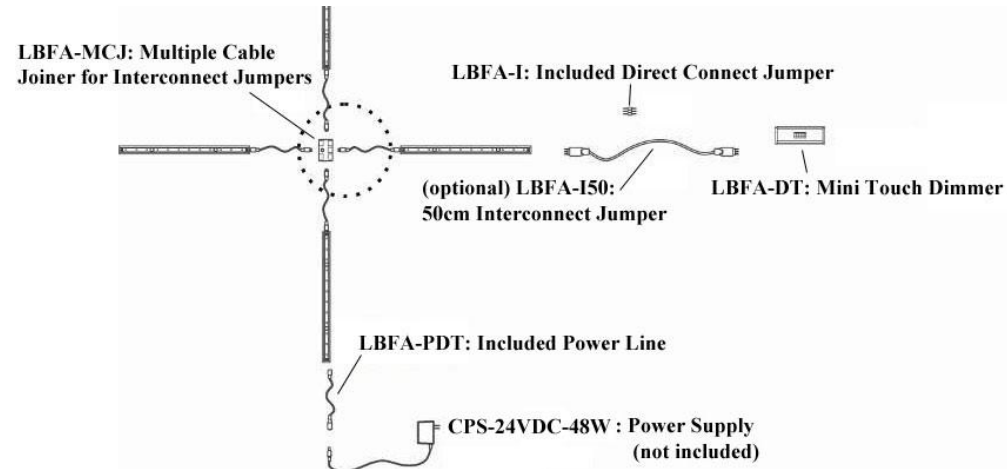
### Scenario 2: Dimmer at the middle of a chain



### Scenario 3: Dimmer at the beginning of a chain



### Scenario 4: Dimmer at a branching of a network



## Installation Guide

**Step (1)** – Refer to section IV and configure the preferred dimmer position.

**Step (2)** – Connect dimmer to the light bar or adapter with corresponding cables or accessories.

**Step (3)** – Use the specific power line included with kit to connect the adapter when a mini dimmer is installed in a light bar chain or network.

**Step (4)** – Plug in the power (adapter) to AC line.

superbrightleds.com  
4400 earth city expressway  
st louis mo 63045 USA  
tel:314-972-6200  
fax:314-972-6202  
email:support@superbrightleds.com  
**superbrightleds.com**