

Description

The linkable surface mount LED light bar fixture has a plug-and-play design that makes it easy to link up to 7 feet of fixtures together. The slim form factor and compact design provide a clean look and easy installation in tight spaces. It provides up to 500 lumens per foot in a 120° beam for use under cabinets, in workshops, and for task lighting. High 90+ CRI delivers accurate color rendering for many applications.

Mechanical

- Slim surface mount design (5/16" thick)
- Brushed aluminum housing
- Frosted polycarbonate diffuser
- IP20, suitable for dry locations
- Includes mounting clips and screws
- Plug-and-play linking up to 7 ft. of fixtures

Electrical

- 12 VDC input
- PWM dimmable
- DC 5.5 mm x 2.1 mm barrel connectors
- Requires 12 VDC power supply (sold separately)

Photometrics

- High 90+ CRI
- Up to 500 lm/ft
- 120° beam angle
- 3000K, 4000K, or 5000K CCT options

Available Models¹

12 in. (1 ft) Length

- ALB-30K12-SMF-12V
- ALB-40K12-SMF-12V
- ALB-50K12-SMF-12V

39 in. (3.25 ft) Length

- ALB-30K39-SMF-12V
- ALB-40K39-SMF-12V
- ALB-50K39-SMF-12V

24 in. (2 ft) Length

- ALB-30K24-SMF-12V
- ALB-40K24-SMF-12V
- ALB-50K24-SMF-12V

Part Number Breakdown

Example: ALB-30K12-SMF-12V

Series	CCT	Length	Mount	Lens	Voltage
ALB	30 [3000K]	12 [12 in.]	SM [Surface Mount]	F [Frosted]	12V [12 VDC]
	40 [4000K]	24 [24 in.]			
	50 [5000K]	39 [39 in.]			

Application

These low-voltage light bars are ideal for numerous applications including bookshelves, display cases, shelf and under-cabinet lighting in kitchens and closets, food trucks, RV interiors, tiny house trailers, and work & service vans.

Certifications and Compliances

- CE compliant



Warranty

- Five (5) Year Warranty

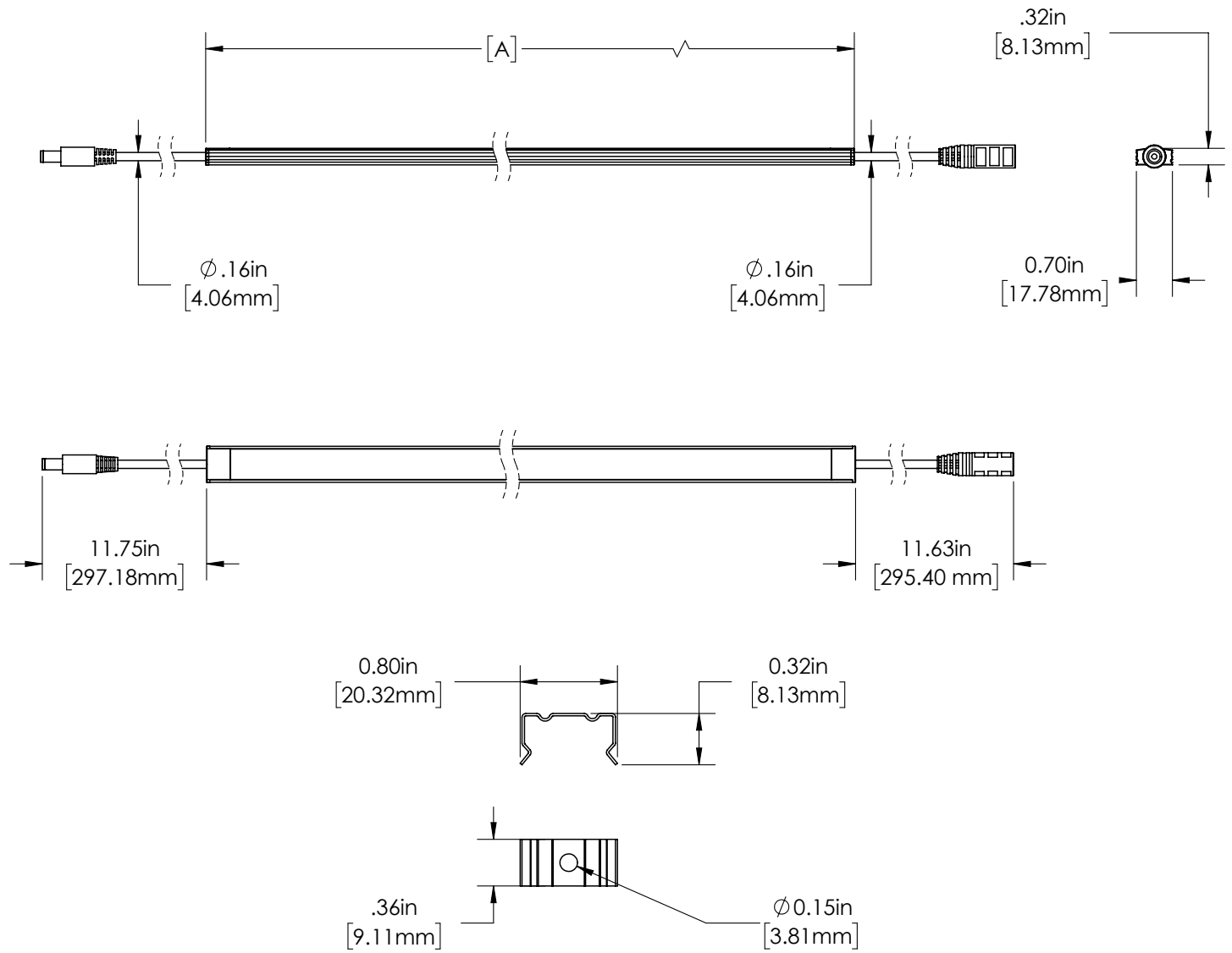


¹Contact customer service if interested in options other than those listed.

ALB Series

Linkable Surface Mount LED Light Bar Specifications

Dimensional Drawings



Dimension	A
ALB-xK12-SMF-12V	12 in. (305 mm)
ALB-xK24-SMF-12V	24 in. (610 mm)
ALB-xK39-SMF-12V	39 in. (991 mm)



ALB Series

Linkable Surface Mount LED Light Bar Specifications

Specifications

12 in. Length

Model ALB-	30K12-SMF-12V	40K12-SMF-12V	50K12-SMF-12V
CCT	3000K	4000K	5000K
Brightness	500 lm/ft		
Light Length	1 ft (12 in.)		
Power Consumption	6 W		
Current Draw	500 mA		
Max Run (Class 2)*	Up to 7 fixtures		

24 in. Length

Model ALB-	30K24-SMF-12V	40K24-SMF-12V	50K24-SMF-12V
CCT	3000K	4000K	5000K
Brightness	450 lm/ft		
Light Length	2 ft (24 in.)		
Power Consumption	12 W		
Current Draw	1 A		
Max Run (Class 2)*	Up to 3 fixtures		

39 in. Length

Model ALB-	30K24-SMF-12V	40K24-SMF-12V	50K24-SMF-12V
CCT	3000K	4000K	5000K
Brightness	400 lm/ft		
Light Length	3.25 ft (39 in.)		
Power Consumption	18 W		
Current Draw	1.5 A		
Max Run (Class 2)*	Up to 2 fixtures		

*Max run for mixed sizes should not exceed 3.5 A total.

Series	
Operating Voltage	12 VDC
Beam Angle	120°
CRI	90+
Dimming Type	Pulse Width Modulation (PWM)
IP Rating	IP20
Environmental Rating	Suitable for dry locations
Rated Life (L70)	35,000 hours
Ambient Operating Temperature	-13-113° F (-25-45° C)

