

## PLLD-S1 Series

LED Area/Parking Lot Light Specifications

Project \_\_\_\_\_

Date \_\_\_\_\_ Type \_\_\_\_\_



PLLD-S150K200-HP(SF)



### Available Models<sup>1</sup>

#### Lights

Part numbers will be followed by “-JL” for bundles including photocell or “-SC” for bundles including shorting cap.

- PLLD-S150K100-HP(SF)       PLLD-S150K240-HP(SF)
- PLLD-S150K150-HP(SF)       PLLD-S150K300-HP(SF)
- PLLD-S150K200-HP(SF)

#### Optional Mounts

- Adjustable Angle Pole Mount (PLLD-S1APM)
- Fixed Pole Mount (PLLD-S1FPM)
- Wall Mount (PLLD-S1WM)

### Part Number Breakdown

Example: PLLD-S150K200-HP(SF)-JL

Family	Color Temperature	Wattage	Efficacy	Built-In Options	Mount Option	Photocell
PLLD-S1	50K [5000K]	100 [100 W]	H [140 lm/W]	P [photocell socket]	(SF) [slip-fitter mount]	JL [JL-205C photocell] or SC [JL-208 shorting cap]
		150 [150 W]				
		200 [200 W]				
		240 [240 W]				
		300 [300 W]				

### Description

PLLD-S1 series LED parking lot lights are an energy efficient, compact lighting solution for commercial and industrial exteriors. Slim, modern housing is lightweight and much less bulky than traditional metal halide shoebox fixtures. Precision-molded optics create a Type III-M distribution of light for evenly illuminating large areas. Integrated high efficacy LEDs reduce energy and maintenance costs, and DLC Premium listing qualifies for utility rebate programs.

### Application

Easily replace traditional shoebox fixtures as well as other metal-halide lights found in many applications including parking lots, pathways, roadways, and other large outdoor areas.

### Certifications and Compliances

DesignLights Consortium listed as DLC Premium 5.1 and UL Listed for wet locations.



### Mechanical

- Equipped with socket for photocell or shorting cap
- Powder-coated cast aluminum body and polycarbonate lens
- IP65 rated
- Operating temperature of -40°-113° F (-40°-45° C)

### Electrical

- 120-277 VAC input and ≥0.9 power factor
- 100 W / 150 W / 200 W / 240 W / 300 W versions
- 0-10 V dimming
- 50,000 hour LED lifespan
- 4 kV surge protection

### Photometrics

- 140 lm/W
- Type III-M distribution
- 80+ CRI
- 5000K color temperature

### Warranty

Five (5) Year Warranty



T 866.811.5550  
F 314.972.6202  
email: commercial-sales@superbrightleds.com  
www.superbrightleds.com/cat/industrial-led-lighting/

<sup>1</sup>Contact customer service if interested in options other than those listed.

# PLLD-S1 Series

LED Area/Parking Lot Light Specifications

## Specifications

Model PLLD-S1	50K100-HP(SF)	50K150-HP(SF)	50K200-HP(SF)	50K240-HP(SF)	50K300-HP(SF)	
Intensity	14,000 lm	21,000 lm	28,000 lm	33,600 lm	42,000 lm	
Operating Voltage	120-277 VAC					
Power Consumption	100 W	150 W	200 W	240 W	300 W	
Current Draw	833 mA @ 120 VAC / 361 mA @277 VAC	1.25 A @ 120 VAC / 542 mA @277 VAC	1.67 A @ 120 VAC / 722 mA @277 VAC	2 A @ 120 VAC / 866 mA @277 VAC	2.5 A @ 120 VAC / 1.08 A @277 VAC	
Efficacy	140 lm/W					
Color Temperature	5000K					
Distribution Type	Type III-M					
CRI	80+					
Power Factor	≥0.9					
Dimming	0-10 V					
Environmental Rating	IP65, suitable for wet locations					
Ambient Operating Temperature	-40°-113° F(-40°-45° C)					
Product Weight <sup>2</sup>	SF	9 lb (4.1 kg)	9.3 lb (4.2 kg)	10.4 lb (4.7 kg)	14.6 lb (6.6 kg)	15.1 lb (6.8 kg)
	APM	10.1 lb (4.6 kg)	10.4 lb (4.7 kg)	11.5 lb (5.2 kg)	15.7 lb (7.1 kg)	16.2 lb (7.3 kg)
	FPM	9.1 lb (4.1 kg)	9.4 lb (4.3 kg)	10.5 lb (4.8 kg)	14.7 lb (6.7 kg)	15.2 lb (6.9 kg)
	WM	9.4 lb (4.3 kg)	9.7 lb (4.4 kg)	10.8 lb (4.9 kg)	15 lb (6.8 kg)	15.5 lb (7 kg)
Rated Life (L70)	50,000 hours					

<sup>2</sup>Does not include photocell/shorting cap.

## Notes

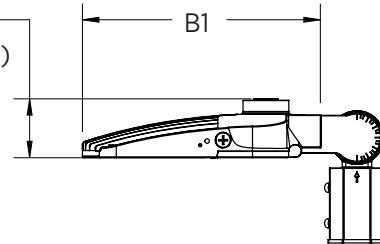
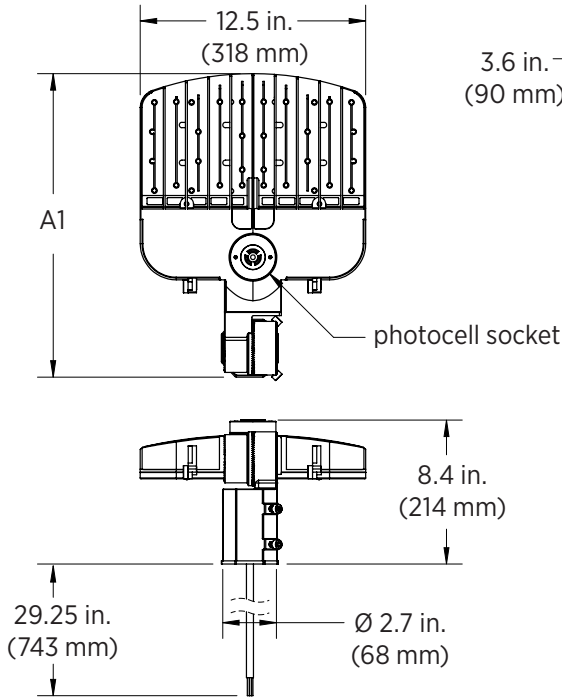


# PLLD-S1 Series

## LED Area/Parking Lot Light Specifications

### Dimensional Drawing

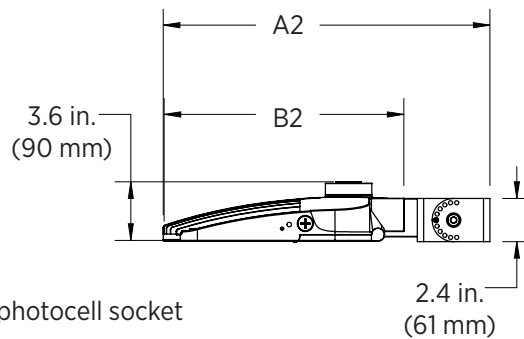
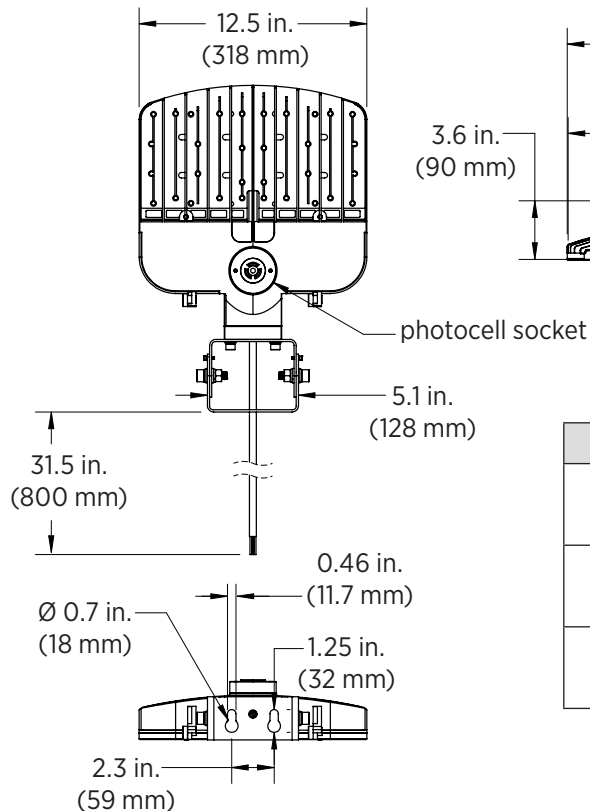
#### Standard Slip-Fitter Mount



Note: This adjustable mount can rotate up to 125° in either direction from center.

Model	Full Length (A1)	Light Length (B1)
PLLD-S150K100-HP PLLD-S150K150-HP	16.75 in. (425 mm)	13.2 in. (336 mm)
PLLD-S150K200-HP	18.5 in. (471 mm)	14.9 in. (378 mm)
PLLD-S150K240-HP PLLD-S150K300-HP	26.4 in. (671 mm)	22.9 in. (581 mm)

#### Optional Wall Mount



Note: This adjustable mount can rotate up to 90° in either direction from center in 18° increments.

Model	Full Length (A2)	Light Length (B2)
PLLD-S150K100-HP PLLD-S150K150-HP	18.3 in. (466 mm)	13.2 in. (336 mm)
PLLD-S150K200-HP	20.25 in. (514 mm)	14.9 in. (378 mm)
PLLD-S150K240-HP PLLD-S150K300-HP	28 in. (712 mm)	22.9 in. (581 mm)

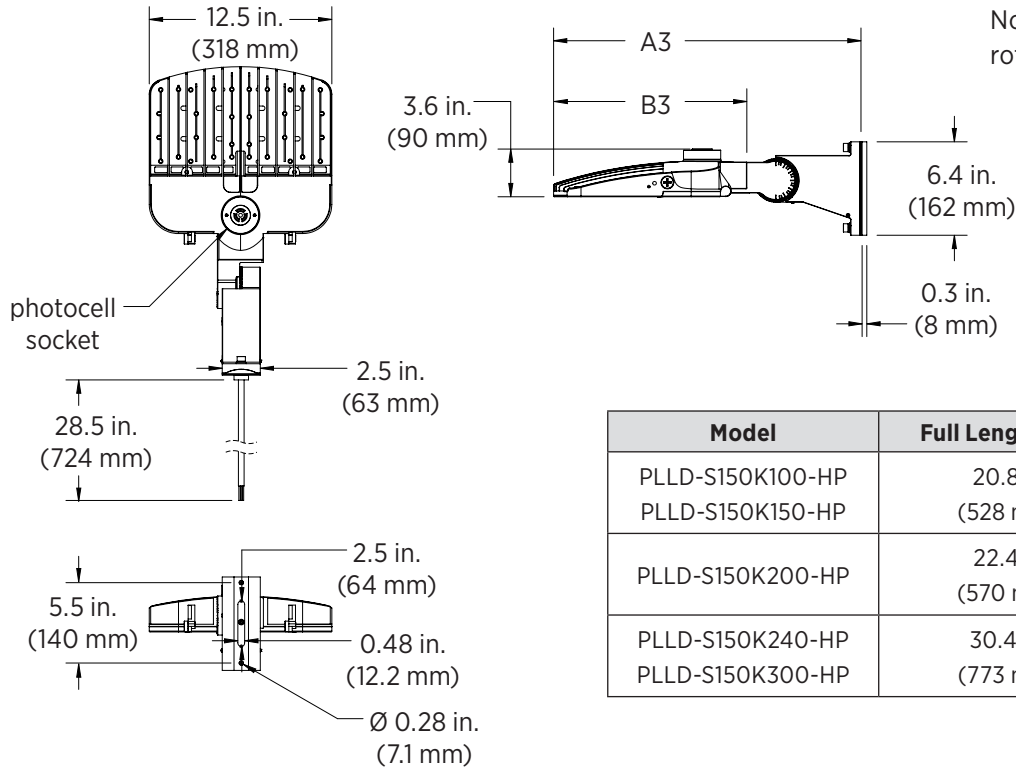


## PLLD-S1 Series

LED Area/Parking Lot Light Specifications

### Dimensional Drawing

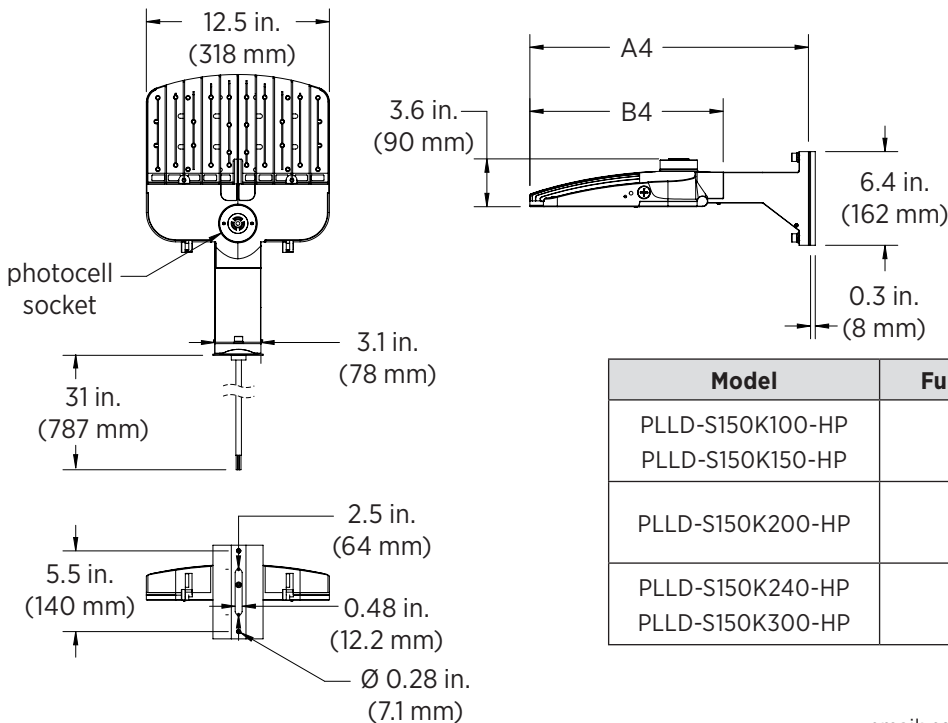
#### Optional Adjustable Angle Pole Mount



Note: This adjustable mount can rotate up to 30° in either direction.

Model	Full Length (A3)	Light Length (B3)
PLLD-S150K100-HP PLLD-S150K150-HP	20.8 in (528 mm)	13.2 in. (336 mm)
PLLD-S150K200-HP	22.4 in (570 mm)	14.6 in. (372 mm)
PLLD-S150K240-HP PLLD-S150K300-HP	30.4 in. (773 mm)	22.75 in. (578 mm)

#### Optional Fixed Position Pole Mount



Model	Full Length (A4)	Light Length (B4)
PLLD-S150K100-HP PLLD-S150K150-HP	19 in (482 mm)	13.2 in. (336 mm)
PLLD-S150K200-HP	20.7 in (527 mm)	14.6 in. (372 mm)
PLLD-S150K240-HP PLLD-S150K300-HP	28.6 in. (727 mm)	22.75 in. (578 mm)

T 866.811.5550

F 314.972.6202

email: commercial-sales@superbrightleds.com

www.superbrightleds.com/cat/industrial-led-lighting/

