

**Important: Read all instructions prior to installation.**

## LED Tailgate Light Bar

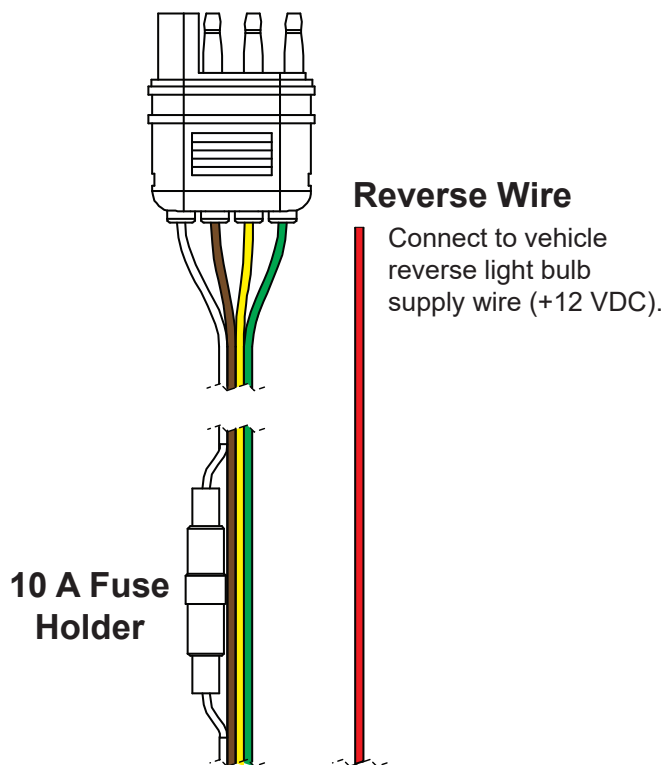
### Safety and Notes

- To reduce risk of electric shock, ensure that battery is disconnected before performing any installation procedures.
- Avoid looking directly into lamp when illuminated.
- Modifications to the light or improper installation—not consistent with guidelines of this document—will void warranty.
- Newer models (such as 2015+ Ford F-150s, 2017+ Ford Super Duty trucks, and 2019+ GM trucks) will require a PWM adapter to function properly. PWM adapter is not included, but can be purchased separately (part number TGL60S-A).

### Installation Instructions

1. Measure the lip under your vehicle tailgate to ensure there is enough clearance to mount light bar.
2. Clean mounting surface with ≥90% isopropyl alcohol prior to installation (not included).
3. Apply 3M Adhesion Promoter (not included, 06396 at [superbrightleds.com](http://superbrightleds.com)) to surface.
4. Mark area with a non-permanent media to create alignment marks.
5. Remove adhesive backing film and attach light bar to surface.
6. Run power wire with flat 4-pin connector behind your bumper and connect to vehicles flat 4-pin connection. Secure any slack in the wire so it does not hang below bumper.
7. Locate power wire for reverse lights on vehicle harness and attach reverse wire from light bar with splice tap (not included, IDC-2218 at [superbrightleds.com](http://superbrightleds.com))

### Wiring Diagram



### Dimensional Diagram

