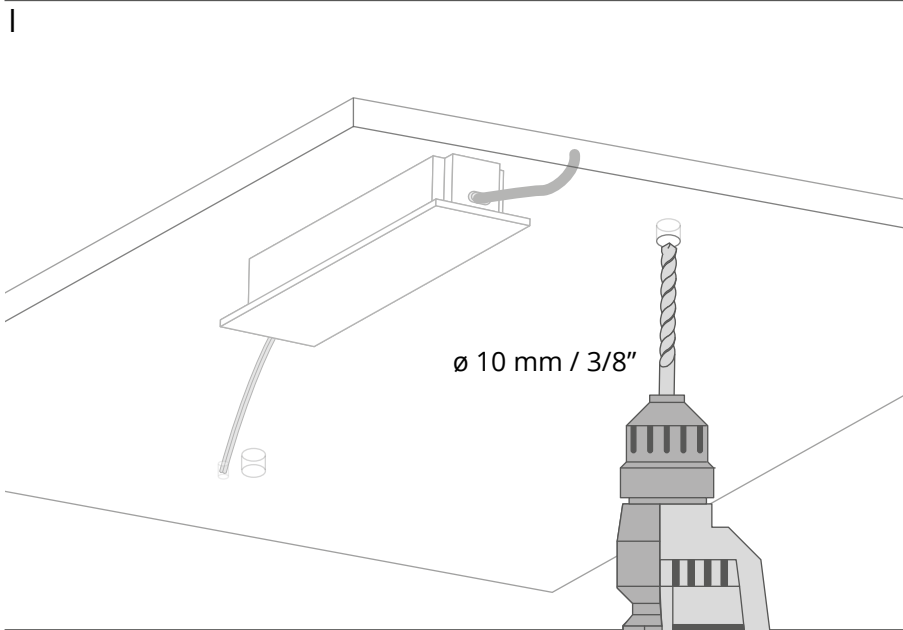


- 1.1 Fixture
 - 1.2 End cap
 - 1.3 Surface mounting spring
 - 2. Power supply (24 V)*
- } Lighting fixture

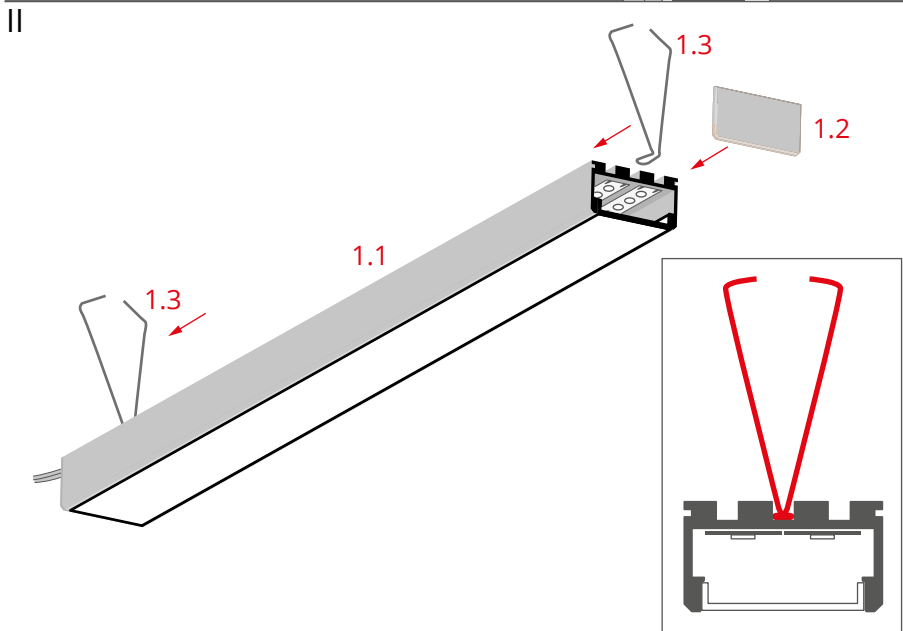
*The full range of accessories and electronics is available at www.KlusDesign.com

NOTE! All LED tapes must be connected to a 24 V power supply.

IMPORTANT: Not all possible mounting procedures are presented here. More mounting procedures and related accessories can be found at www.KlusDesign.com. Drawings of fixtures and accessories in these instructions are simplified and only approximate the actual shapes.



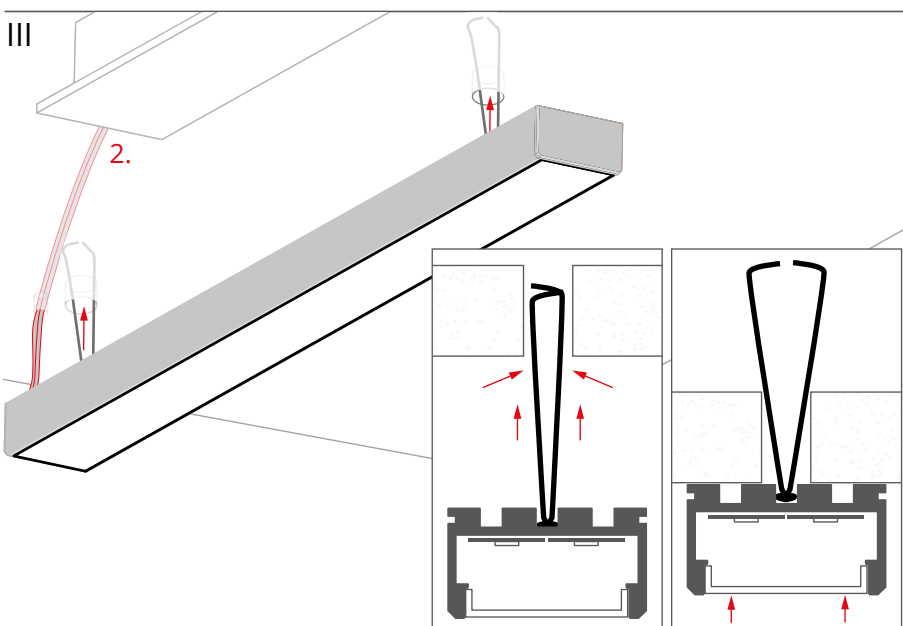
Drill 10 mm / 3/8" holes in the mounting surface.



Insert the surface mounting springs (1.3) into the middle channel (small lock) on the back of the fixture (1.1).

The springs can be slid in the channel to adjust their position.

Mount the end cap (1.2).



Connect the power cable from the fixture to the power supply 24 V (2).

Insert the springs into the holes drilled in the mounting surface and press the fixture to the surface.