



CVPS Series

LED Driver Specifications

Project _____

Date _____ Type _____



Features

- 100–277 VAC input
- 12 VDC or 24 VDC constant voltage output versions available
- Built-in short-circuit, overload, and over-temperature protection
- Four Class 2 outputs

Application

These drivers are an excellent solution for the remote mounting of low voltage LED lights such as strips and light bars.

Certifications and Compliances

240 W CVPS drivers are UL Recognized Components and are listed in compliance with UL 8750 (FKSZ2).

Notes

Available Models

- CVPS-240WH-12V-2000
- CVPS-240WH-24V-1000

Part Number Breakdown

Example: CVPS-240WH-24V-1000

Family	Output Wattage	Driver Case	Output Voltage	Output Amperage
CVPS	240W [240 W]	H [extruded aluminum housing]	12V [12 VDC]	2000 [5 A output (x4)]
			24V [24 VDC]	1000 [2.5 A output (x4)]

Optional Accessories

- 6 ft, 5-15P power cord (_POWERCORD)

Warranty

Seven (7) Year Warranty

T 866.590.3533

F 314.972.6202

email: commercial-sales@superbrightleds.com

www.diode-drive.com

www.superbrightleds.com/cat/power-supplies

Rev V1 Date: 12/30/2019

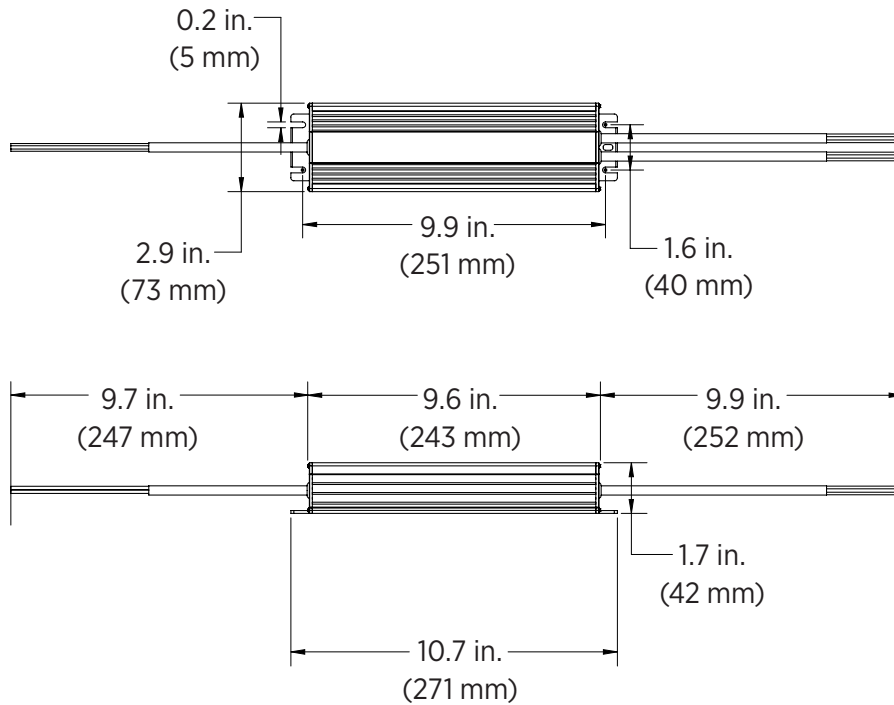
Specifications are subject to change without notice.

Printed in the U.S.A.

CVPS Series

LED Driver Specifications

Dimensional Drawing



Specifications

Model		CVPS-240WH-12V-2000	CVPS-240WH-24V-1000
Input Voltage		100-277 VAC	
Maximum Input Current		3.3 A	
Output Voltage		12 VDC	24 VDC
Maximum Output Wattage		240 W	
Maximum Output Current		5 A per channel (x4)	2.5 A per channel (x4)
Dimming		none	
Power Factor		≥ 0.95 (input)	
Short-circuit Protection		yes	
Overloading Protection		yes	
Leakage Current		<0.75 mA (@277 VAC)	
Hi-pot	I/P-O/P	3.75 kVAC/ 10mA/ 3S	
	I/P-Case	1.8k VAC/ 10mA/ 3S	
Ambient Operating Temperature		-40°-122° F (-40°-50° C)	
Over-temperature Protection		yes	
Operating Humidity		20-95% relative humidity, non-condensing	
IP Rating		IP68	
Weight		1.5 lb (0.68 kg)	2.15 lb (0.98 kg)
UL Standard		UL 879 and UL8750	

T 866.590.3533

F 314.972.6202

email: commercial-sales@superbrightleds.com

www.diodedrive.com

www.superbrightleds.com/cat/power-supplies