



UDLA-SW3C50-WH

Available Models¹

Luminaires

- UDLA-SW3C50-WH
- UDLA-SW3C50-BK

Optional Accessories

- UDLA-CSWH (white canopy suspension kit)
- UDLA-CSBK (black canopy suspension kit)
- UDLA-LB (linking bracket)

Part Number Breakdown

Example: UDLA-SW3C50-WH



Family	Options	CCT	Wattage	Finish
UDLA	SW [selectable CCT and wattage]	3C [3500K/4000K/5000K]	50 [50 W/40 W/30 W]	WH [White]

Description

UDLA LED linear up/down pendant lights feature an architectural style with an indirect/direct lighting style. The fixture projects 70% of the light output downwards and 30% of the light upwards, providing up to 3,850 lumens for downlighting and up to 1,650 lumens for decorative uplighting. Select the desired color temperature and wattage using the field-selectable CCT switch on top of the fixture and the field-selectable wattage switch on the internal driver. Light includes a standard hanging kit for suspension mounting the fixture.

Construction/Mechanical

- Includes suspension/hanging kit
- White finish steel housing
- Polycarbonate lens
- ½" trade size knockouts

Electrical

- 100–277 VAC input
- 0–10 V dimming
- 50,000 hour LED lifetime
- ≥0.9 power factor

Photometrics

- 130 lm/W
- 100° beam angle
- 80+ CRI

Application

Easily replaces traditional T5 and T8 fluorescent strip fixtures. Simple installation and the ability to connect end to end make these ideal fixtures for many applications including offices, schools, retail spaces, and other similar areas where presentation is as important as output and efficiency.

Certifications and Compliances

These lights are DesignLights Consortium listed as DLC 5.1 Premium. It is also Certified by UL and rated as being suitable for damp locations.

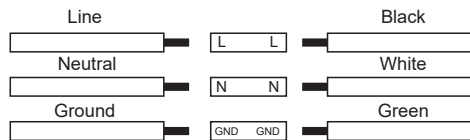


Warranty

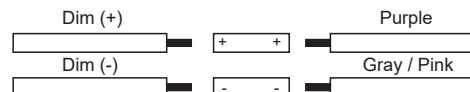
- 5-year warranty

Wiring Diagram

120–277 VAC Input



0–10 V Dimming

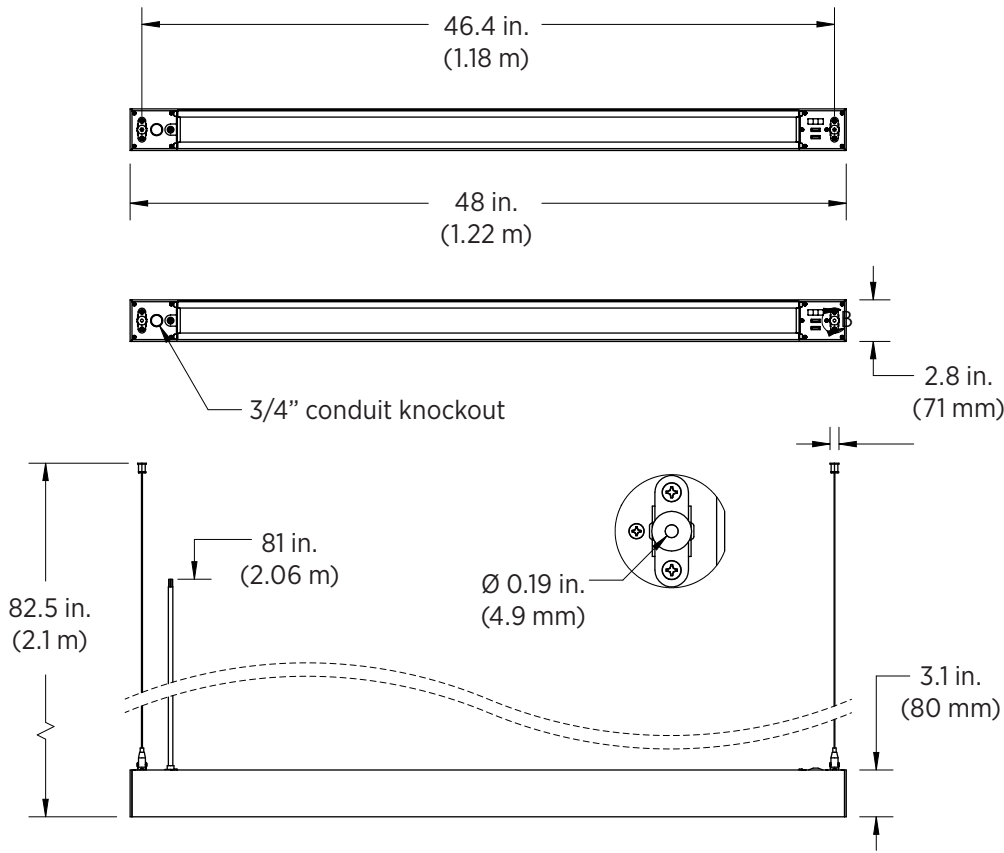


¹Contact customer service if interested in options other than those listed.

UDLA Series

LED Architectural Up/Down Light Specifications

Dimensional Drawing



Specifications

Model		UDLA-SW3C50-WH / UDLA-SW3C50-BK
Intensity ²		6,500 lm (50 W), 5,200 lm (40 W), 3,900 lm (30 W)
Operating Voltage		120-277 VAC
Power Consumption		selectable (50 W / 40 W / 30 W)
Current Draw	120 VAC	417 mA / 333 mA / 250 mA
	277 VAC	181 mA / 144 mA / 108 mA
Efficacy		130 lm/W
Color Temperature		selectable (3500K / 4000K / 5000K)
Beam Angle		100°
CRI		80+
Power Factor		≥0.9
Dimming		0-10 V
Environmental Rating		IP44, suitable for damp locations
Ambient Operating Temperature		-4°-113° F (-20°-45° C)
Rated Life (L70)		50,000 hours

²Light is distributed with a 70% downward / 30% upward split.