

RWLA Series

LED Street/Roadway Area Light Specifications

Project _____

Date _____ Type _____



Features

- 100-277 VAC
- ≥ 135 lm/W
- L70 rated 50,000 hour lifetime
- IP65 rated water resistance
- Tool-free maintenance/installation access

Construction

These are manufactured with a durable aluminum housing and glass lens. Lights come with a standard slip-fitter mount. An optional pole/post mount is also offered.

Application

Easily replaces traditional metal halide street/roadway lights. These work well to light streets, pathways, and intersections.

Output Equivalencies

RWLA-xK30AT2-GRSF	100 W HID
RWLA-xK60AT2-GRSF	175 W HID
RWLA-xK90AT2-GRSF	250 W HID
RWLA-xK120AT2-GRSF	250 W HID

Warranty

Five (5) Year Warranty

Certifications and Compliances

These lights are UL Listed in compliance with UL 1598 (IFAM).



T 866.811.5550
 F 314.972.6202
 email: commercial-sales@superbrightleds.com
 www.superbrightleds.com/cat/industrial-led-lighting/

Available Configurations¹

3000K

- RWLA-30K30AT2-GRSF
- RWLA-30K60AT2-GRSF
- RWLA-30K90AT2-GRSF
- RWLA-30K120AT2-GRSF

4000K

- RWLA-40K30AT2-GRSF
- RWLA-40K60AT2-GRSF
- RWLA-40K90AT2-GRSF
- RWLA-40K120AT2-GRSF

Part Number Breakdown

Example: RWLA-30K90AT2-GRSF

Family	Color Temperature	Wattage	Distribution Type	Finish	Mount Type
RWLA	30K [3000K] or 40K [4000K]	30 [30 W]	AT2 [Type II]	GR [grey]	SF [slip-fitter]
		60 [60 W]			
		90 [90 W]			
		120 [120 W]			

Required Accessories

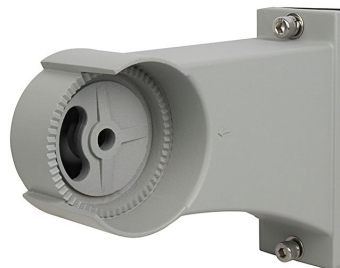
RWLA lights will require one photocell or shorting cap per light.

- Photocell (JL-203C)
- Shorting Cap (JL-208)

Optional Accessories

Mounting Options

- Pole/post mount (RWLA-PM)



Notes

¹Contact customer service if interested in options other than those listed.

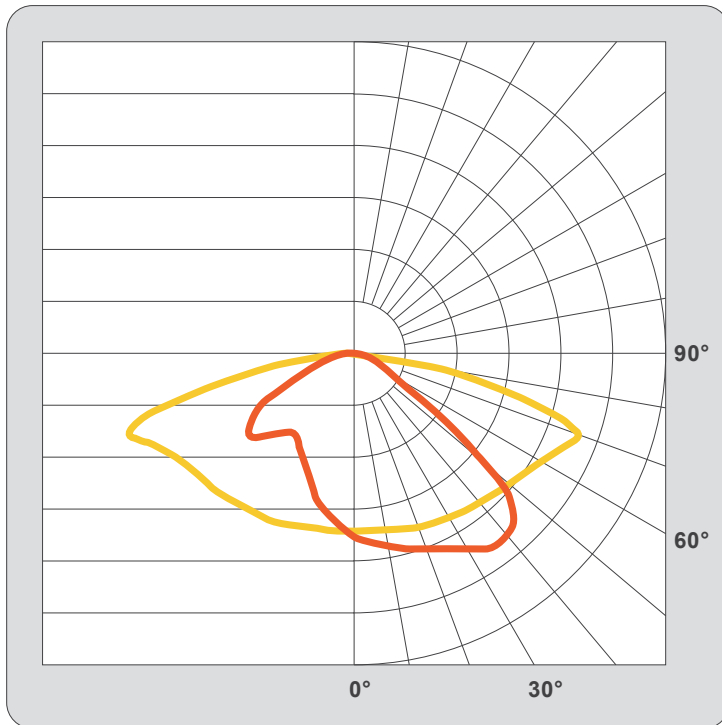
RWLA Series

LED Street/Roadway Area Light Specifications

Specifications

Model RWLA-	xK30AT2-GRSF	xK60AT2-GRSF	xK90AT2-GRSF	xK120AT2-GRSF
Intensity	4,100 lm	8,800 lm	12,500 lm	16,250 lm
Operating Voltage	100-277 VAC			
Power Consumption	30 W	60 W	90 W	120 W
Current Draw @120 VAC	250 mA	500 mA	750 mA	1 A
Efficacy	≥136 lm/W	≥146 lm/W	≥138 lm/W	≥135 lm/W
Available Color Temperature(s)	3000K or 4000K (as ordered)			
Light Distribution	Type II-M			
CRI	70+			
Dimming	1-10 V			
IP Rating	IP65			
Ambient Operating Temperature	-40°-122° F (-40°-50° C)			
Product Weight	9.7 lb (4.4 kg) ²	10.1 lb (4.6 kg) ²	10.8 lb (4.9 kg) ²	11.5 lb (5.2 kg) ²
Rated Life (L70)	50,000 hours			

Photometrics - Beam Angle



Additional model-specific photometric data available on site or upon request.

²Optional mount adds 1.2 lb (0.6 kg)

T 866.811.5550

F 314.972.6202

email: commercial-sales@superbrightleds.com

www.superbrightleds.com/cat/industrial-led-lighting/

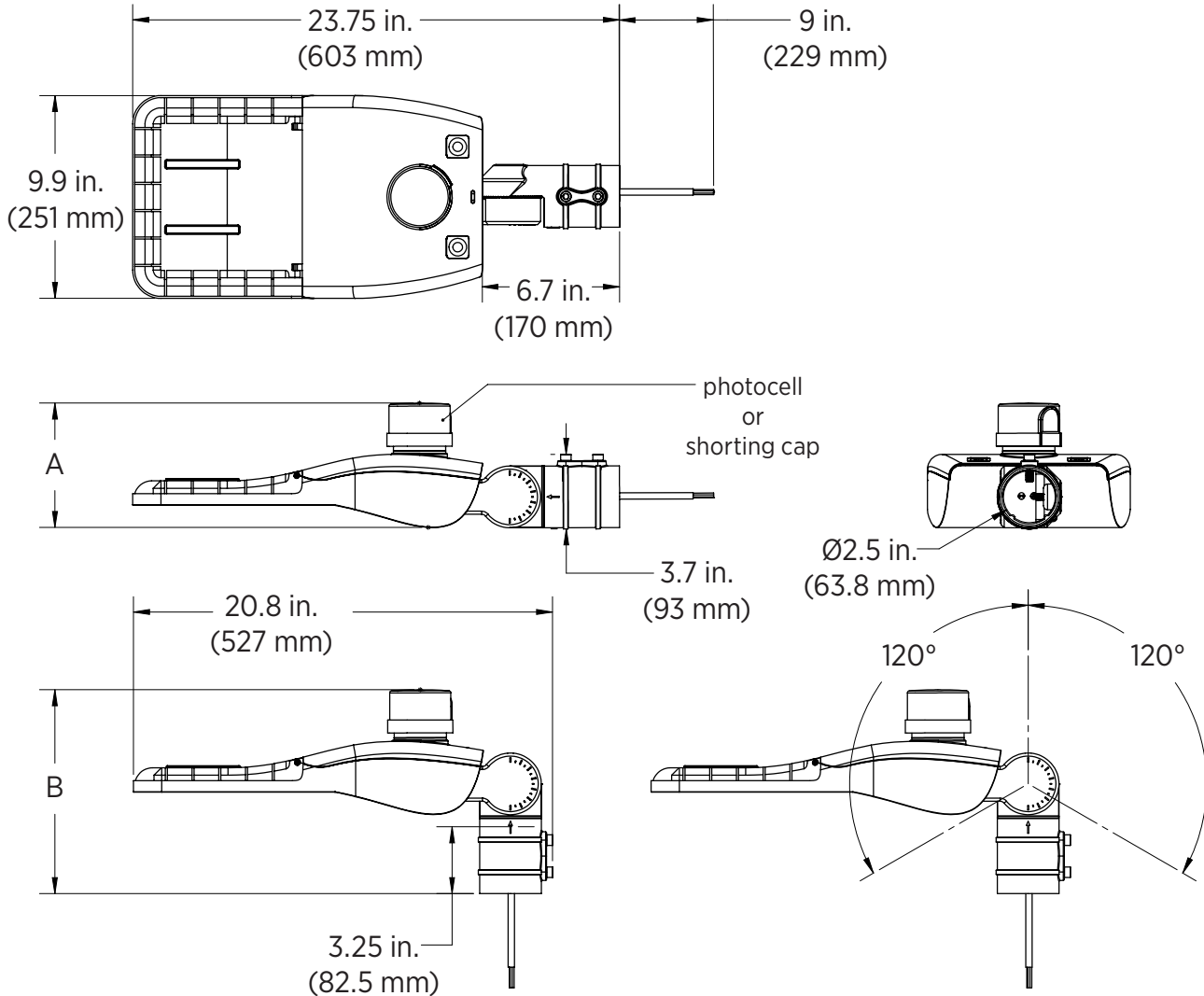


RWLA Series

LED Street/Roadway Area Light Specifications

Dimensional Drawing

RWLA with standard slip-fitter mount



Model	Height (A)	Length (B)
with photocell	6.3 in. (160 mm)	10 in. (255 mm)
with shorting cap	5.8 in. (147 mm)	9.5 in. (241 mm)

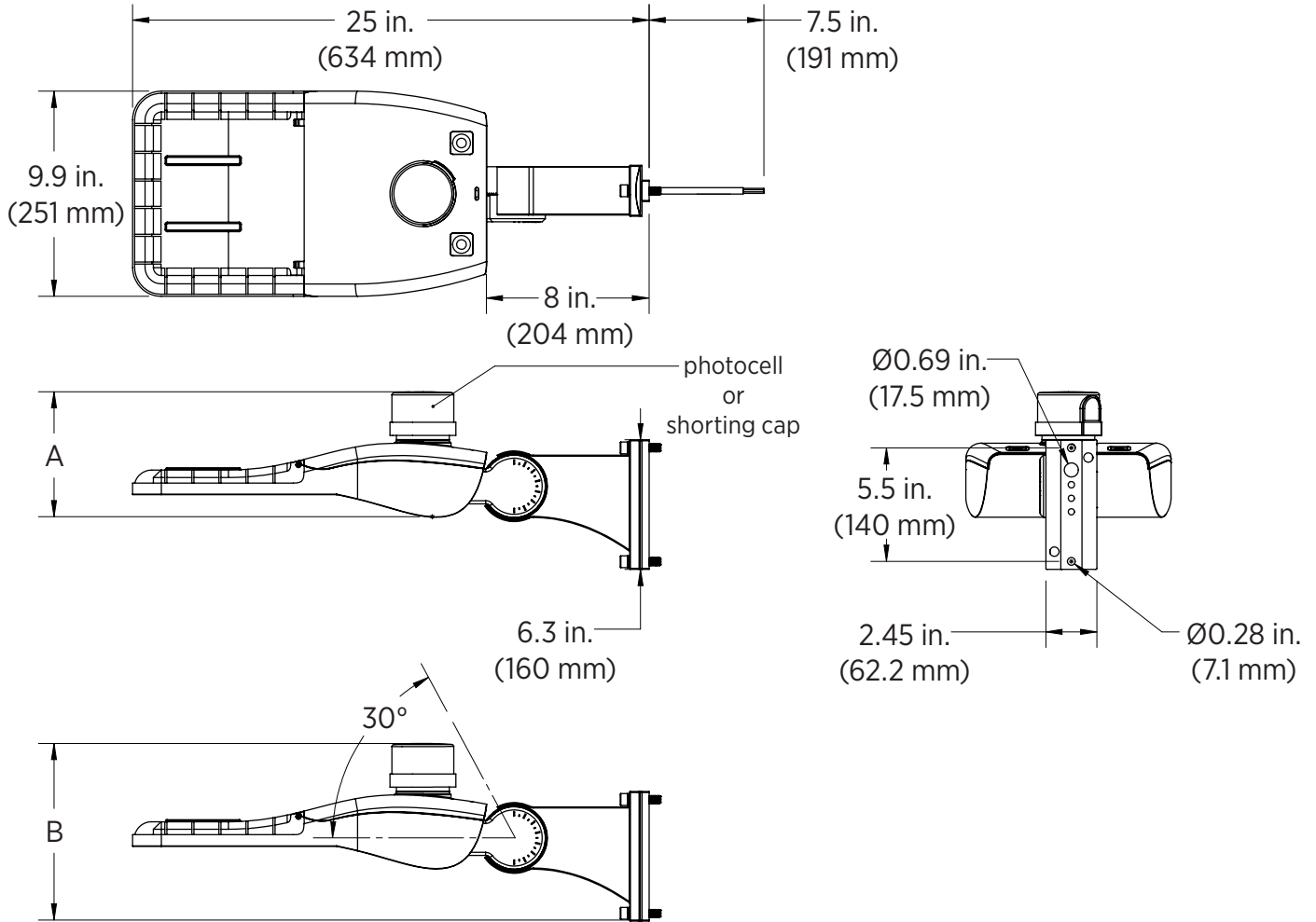


RWLA Series

LED Street/Roadway Area Light Specifications

Dimensional Drawing

RWLA with optional pole/post mount



Model	Height (A)	Length (B)
with photocell	6.3 in. (160 mm)	8.5 in. (216 mm)
with shorting cap	5.8 in. (147 mm)	8 in. (202 mm)

