

Important: Read all instructions prior to installation.

LED Ready Landscape Spot/Flood Lights



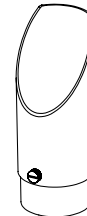
LFB-S01A

LSBF-BZ

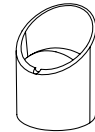
LSFF-BZ

Assembly

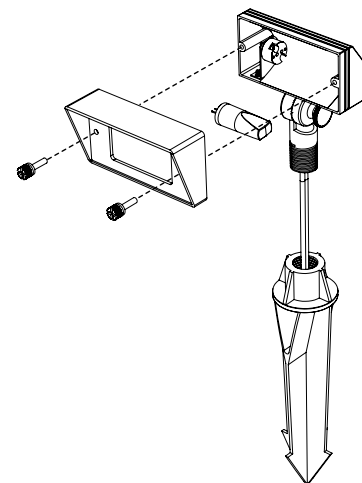
LFB-S01A



LSBF-BZ



LSFF-BZ



Safety and Notes

- For use with OUTDOOR, low-voltage landscape lighting systems ONLY.
- NOT FOR USE with submersible or pool/spa equipment.
- Do not submerge in water, the product can be damaged.
- For low voltage use only. Power supply voltage must match installed bulb.
- LFB-S01A and LSBF-BZ are designed for MR16 bulbs (GU5.3 base, up to 50 W) only. LSFF-BZ is designed for G4 bulbs (up to 20 W) only. Bulb not included.

Recommended Accessories

Part Number	Description
WWN-2212	silicone filled twist on wire connector
SFT-20	self fusing silicone tape
WP14-2DB	14 gauge landscape wire
WP12-2DB	12 gauge landscape wire
LFB-SK04	10 in. brass stake

Installation Instructions

1. Install compatible bulb.
2. Lay fixtures out as they will be installed.
3. Run landscape wire from power supply to each light. Wire must be within 3" of mounting stake to allow power connections to be made.
4. Use waterproof connectors to connect lights to supply wires as well as wires running to additional lights.
5. Using a small shovel, loosen the ground where fixture will be installed. Press stake into ground. Wetting the ground can loosen soil to ease installation if needed.
Note: Do not use a hammer or exert force on the fixture by using it to drive the stake into the ground as this may cause damage.
6. Turn on supply power and ensure all fixtures are working. If one or more individual fixtures are not working, check each connection. It is recommended to wrap all connections in electrical or self-fusing tape.
7. Bury landscape wire, fixture pigtails, and connectors. A depth of 3" is recommended. Wires and connectors can also be covered by mulch or stone.

Note: Assemble fixtures as shown. Run power wires through slot in stakes.

