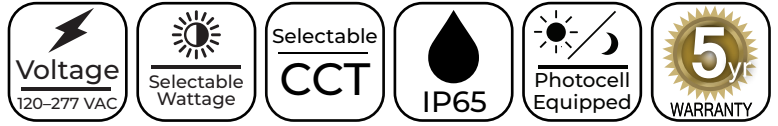


WP9 Series

Selectable Wattage and CCT Wall Pack Specifications

Project \_\_\_\_\_

Date \_\_\_\_\_ Type \_\_\_\_\_



Available Models<sup>1</sup>

- WP9-SW3B60S-P
- WP9-SW3B100S-P

Part Number Breakdown

Example: WP9-SW3B60S-P

Series	CCT	Wattage	Control
WP9 [G9 Wall Pack]	SW3B [Selectable: 3000K, 4000K, 5000K]	60S [Selectable: 36, 48, 60 W]	P [Photocell]
		100S [Selectable: 60, 80, 100 W]	

Overview

The Full Cutoff LED Wall Pack features a compact, modern design that efficiently replaces up to a 400-watt metal-halide fixture. The selectable CCT and wattage can be easily adjusted using switches beneath the front panel, allowing for precise customization. Another switch can easily bypass the integrated dusk-to-dawn photocell for continuous operation. Each wall pack has a durable die-cast housing with a corrosion-resistant finish and a clear lens. Featuring Type III light distribution that delivers wide, uniform coverage, it is ideal for building exteriors, parking lots, and garages.

Features

- Bypassable photocell for dusk-to-dawn operation
- Type III light distribution
- 400-watt metal halide equivalent
- Selectable CCT and wattage

Product Details

- Aluminum housing with bronze finish
- Clear polycarbonate lens
- IP65 waterproof, suitable for wet locations
- 100° x 85° beam
- Bypassable photocell for dusk-to-dawn operation
- 0-10V Dimmable
- 120-277 VAC

Warranty

- 5-year warranty

Applications

- Commercial Lighting
- Gas Stations
- Industrial Facilities
- Parking Garages
- Parking Lots
- Residential Complexes
- Security Lighting
- Warehouses

Certifications and Compliances

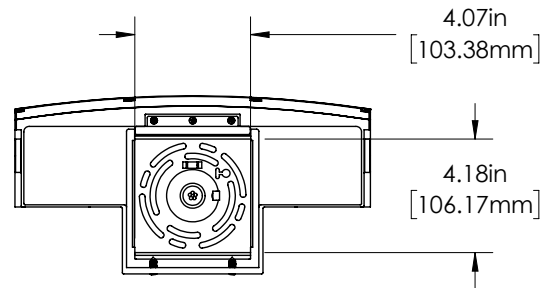
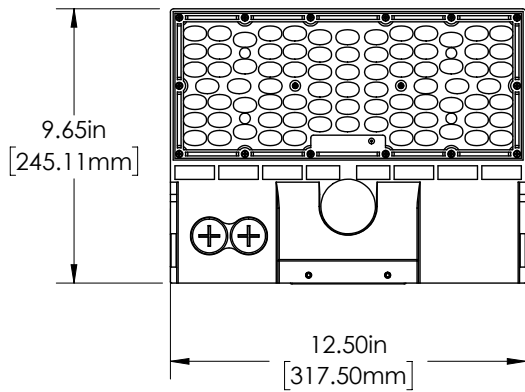
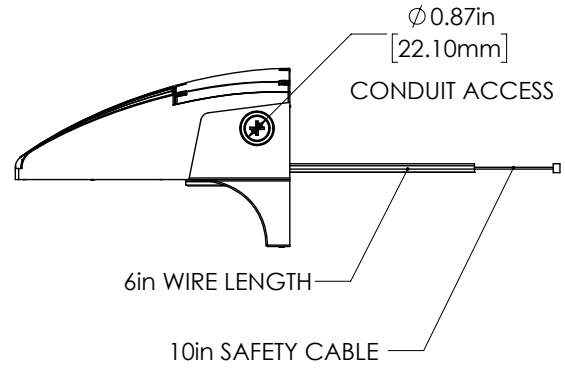
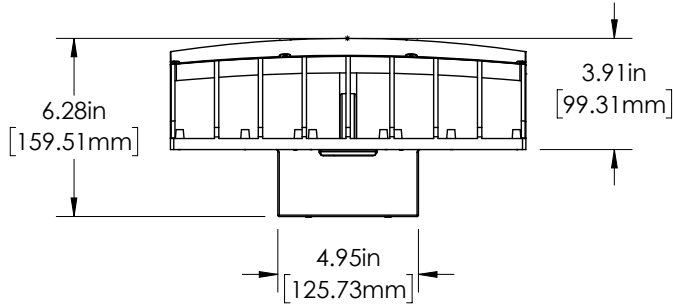
- Certified by UL - UL 1598 (IFAM)



# WP9 Series

Selectable Wattage and CCT Wall Pack Specifications

## Dimensions



## WP9 Series

Selectable Wattage and CCT Wall Pack Specifications

### Specifications

Model		WP9-SW3B60S-P	WP9-SW3B100S-P
Wattage		Selectable: 36, 48, 60 W	Selectable: 60, 80, 100 W
Lumens		4,860/6,480/8,100 lm	8,100/10,800/13,500 lm
Current Draw	120 VAC	330, 440, 550 mA	550, 740, 925 mA
	277 VAC	140, 190, 240 mA	240, 320, 400 mA
Operating Voltage		120-277 VAC	
Efficacy		135 lm/W	
Color Temperature		Selectable: 3000K, 4000K, 5000K	
Beam Angle		100° x 85° beam (Type III light distribution)	
CRI		80+	
Dimming		0-10V	
IP Rating		IP65	
Environmental Rating		Suitable for Wet Locations, Waterproof	
Surge Protection		L-N, L/N-G: 4 kV	
Rated Life (L70)		50,000 hours	
Ambient Operating Temperature		-40°-113° F (-40°-45° C)	

