

FLCKM Series

LED Flood Light Specifications

Project _____

Date _____ Type _____



FLCKM-30K10



Description

FLCKM series is slim and compact to highlight residential features and powerful for commercial uses. The fixtures offer a cost-effective and energy efficient replacement for traditional metal halide fixtures. IP65 rating and black powder-coated die cast aluminum housing, protect the fixture from outdoor conditions. Knuckle mount bracket is included for simple junction box installation and angle adjustment.

Mechanical

- Powder-coated aluminum housing
- Glass lens
- IP65 Environmental Rating
- Operating temperature of -4°-104° F (-20°-40° C)

Electrical

- 120 VAC
- 50,000 hour LED lifetime
- Compatible with ½” threaded knockouts in junction boxes

Photometrics

- 80+ CRI
- 110 lm/w efficacy
- Wide 110° beam pattern
- 3000K, 4000K, 5000K color temperature options

Warranty

5 Year Warranty

Available Configurations¹

3000K

- FLCKM-30K10
- FLCKM-30K20
- FLCKM-30K30
- FLCKM-30K50

4000K

- FLCKM-40K10
- FLCKM-40K20
- FLCKM-40K30
- FLCKM-40K50

5000K

- FLCKM-50K10
- FLCKM-50K20
- FLCKM-50K30
- FLCKM-50K50

Part Number Breakdown

Example: FLCKM-30K10

Series	CCT	Wattage
FLCKM	30K [3000K]	10 [10 W]
	40K [4000K]	20 [20 W]
	or	30 [30 W]
	50K [5000K]	50 [50 W]

Application

Illuminate building facades as an accent light, as well as landscape lighting.

Certifications and Compliances

UL Listed



¹Contact customer service if interested in options other than those listed.

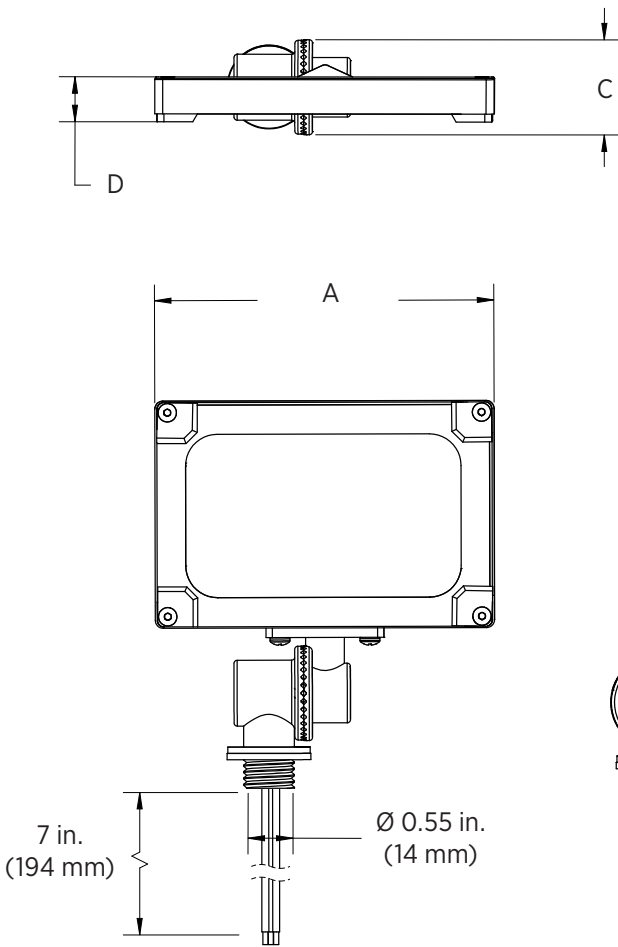
FLCKM Series

LED Flood Light Specifications

Specifications

Model	FLCKM-xK10	FLCKM-xK20	FLCKM-xK30	FLCKM-xK50
Intensity	1,100 lm	2,200 lm	3,600 lm	6,000 lm
Operating Voltage	120 VAC		120-277 VAC	
Power Consumption	10 W	20 W	30 W	50 W
Current Draw	120 VAC	100 mA	160 mA	250 mA
	277 VAC		108 mA	180 mA
Efficacy	110 lm/w		120 lm/w	
Color Temperature(s)	3000K, 4000K, 5000K			
Beam Angle	110°			
CRI	80+			
Dimmable	no			
IP Rating	IP65			
Ambient Operating Temperature	-4°-104° F (-20°-40° C)			
Rated Life (L70)	50,000 hours			

Dimensional Drawing



Model	A	B	C	D
FLCKM-xK10	5.35 in. (135 mm)	5.66 in. (144 mm)	.71 in. (18 mm)	1.5 in. (38 mm)
FLCKM-xK20	7.55 in. (192 mm)	7.65 in. (194 mm)	.79 in. (20 mm)	1.5 in. (38 mm)
FLCKM-xK30	9.46 in. (240 mm)	8.48 in. (215 mm)	1.47 in. (37 mm)	1.78 in. (45 mm)
FLCKM-xK50	11.75 in. (298 mm)	10.33 in. (262 mm)	1.61 in. (41 mm)	1.43 in. (36 mm)

Specifications are subject to change without notice.

T 866.811.5550
 F 314.972.6202
 email: commercial-sales@superbrightleds.com
www.superbrightleds.com/cat/industrial-led-lighting/
www.superbrightleds.com/cat/led-flood-lights/

