

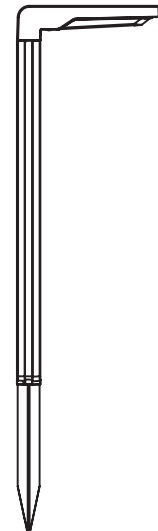
Important: Read all instructions prior to installation.

Solar-Powered Path Light

Safety and Notes

- Not for underwater use or with submersible or pool/spa equipment.
- Light will shut off automatically in excessively cold temperatures (below 14°F) to protect the light.
- Solar panel must be cleaned every three months for best operation.
- Weather, geographical location, seasonal sunlight and objects that block sunlight will negatively affect the ability of the light to charge. Ensure light is installed in a location with exposure to direct sunlight.

Model		LFSP-2CCT
Operating Time	Low Mode	6 Hours
	High Mode	12 Hours
Charge Time		5–6 Hours (in direct sunlight)
IP Rating		IP54
Operating Temperature		-10 to 40 °C (14 to 104 °F)

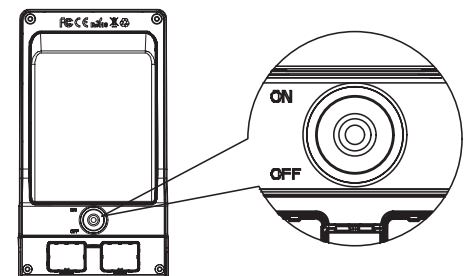
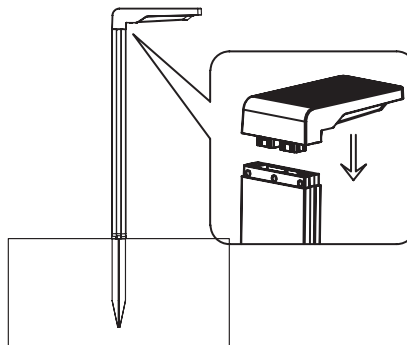


Installation Instructions

1. Securely attach the lamp head and spike to pillar.
2. Firmly press stake end of light into moist soil without applying pressure to the light head or panel directly.
Note: make sure installation location has adequate sunlight to support proper charging.

3. Operating Instructions:

- First Press: Low - Natural White
- Second Press: High - Natural White
- Third Press: Low - Warm White
- Fourth Press: High - Warm White
- Fifth Press: Off



Battery Replacement

1. Battery is located inside of light head.
2. Unscrew 4 screws to remove solar cover.
3. Remove depleted battery.
4. Replace with 3.2V 1800 mAh 18650 battery.
5. Screw in all 4 screws to secure.

