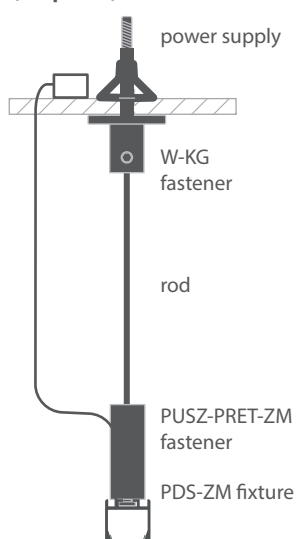
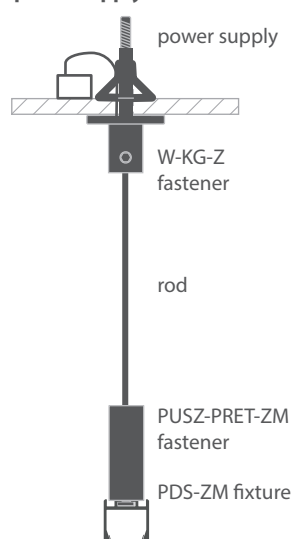


Instruction includes the following mounting methods:

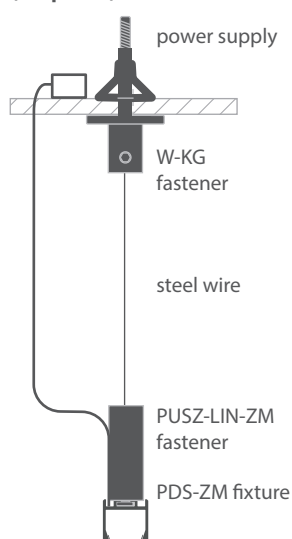
1) Rod - non-conductive (drop lead)



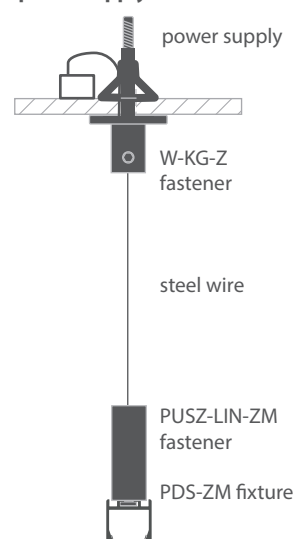
2) Rod - conductive driven power supply



3) Wire - non-conductive (drop lead)



4) Wire - conductive driven power supply



If fully built fixtures are ordered and received from KLUS please skip to p. 2, step 5.

If fully built fixtures are ordered and received from KLUS please skip to p. 3, step 5.

If fully built fixtures are ordered and received from KLUS please skip to p. 4, step 5.

If fully built fixtures are ordered and received from KLUS please skip to p. 5, step 5.

Tools needed for mounting:

- drill
- pliers
- allen wrench
- soldering iron

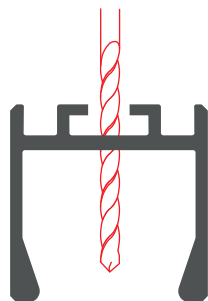
NOTE! All LED strips must be connected to a 12 V or 24 V power supply.

IMPORTANT: The manual presents the simplest mounting procedure.
More mounting procedures and related accessories can be found at klusdesign.com

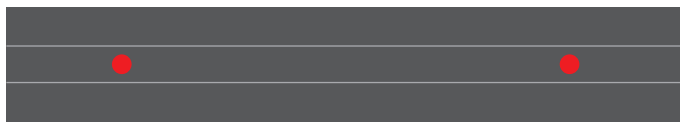
*If fully built fixtures are ordered and received from KLUS please skip to step 5

1. Drill the holes in the PDS-ZM extrusion to mount the PUSZ-PRET-ZM fasteners.

cross-section

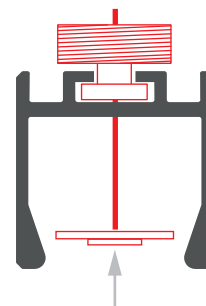


top view

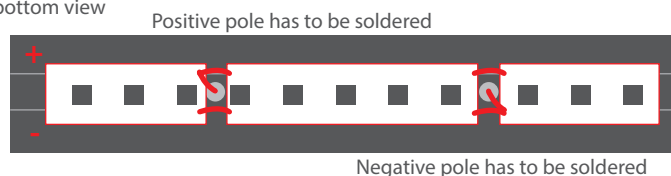


2. Mount the LED strip in the extrusion and lead the cables through pre-drilled holes and threaded plugs of the PUSZ-PRET-ZM fasteners. Each hole should lead a cable with one power pole, LED strip has to be cut before installation, so the wires can be easily routed to the holes.

cross-section



bottom view



3. Connect the wires to the Install the power connectors of the PUSZ-PRET-ZM fasteners and install the whole fasteners with rods on the PDS-ZM extrusion. The fastener installation manual can be downloaded [here](#).

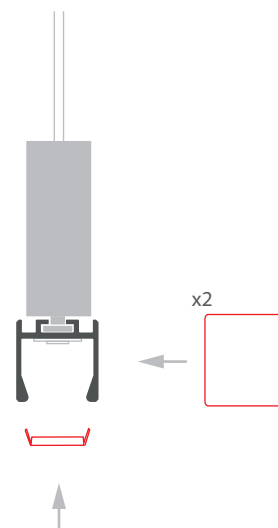
cross-section



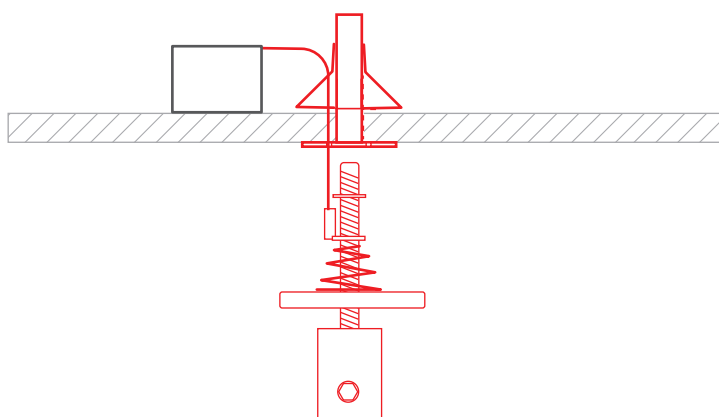
top view



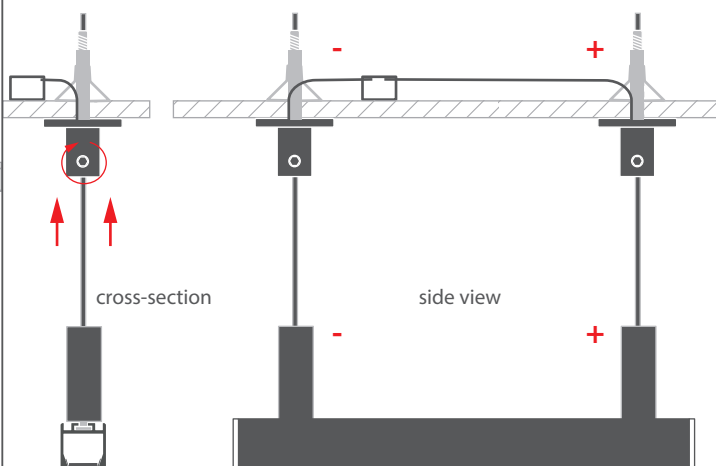
4. Install the cover and both end caps.



5. Install the W-KG-Z ceiling fasteners. The fastener installation manual can be downloaded [here](#). Connect the cables, each for the single power pole to the fasteners. The cables should go through a pre-drilled hole just under the masking cover of the fastener.



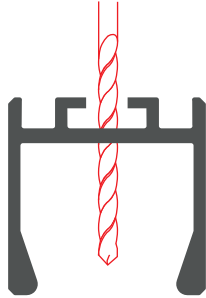
6. Mount the fixture with rods into the ceiling fasteners. Mind that the power poles connected to the rods should match the ones connected to the fasteners.



*If fully built fixtures are ordered and received from KLUS please skip to step 5

1. Drill the holes in the PDS-ZM extrusion to lead the power cable.

cross-section

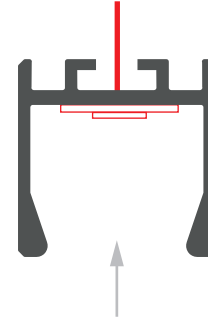


top view

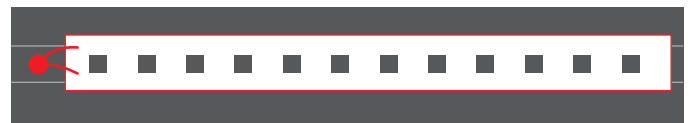


2. Mount the LED strip in the extrusion and lead the cable through a pre-drilled hole.

cross-section



bottom view



3. Install the PUSZ-PRET-ZM fasteners with rods on the PDS-ZM extrusion. The fastener installation manual can be downloaded [here](#).

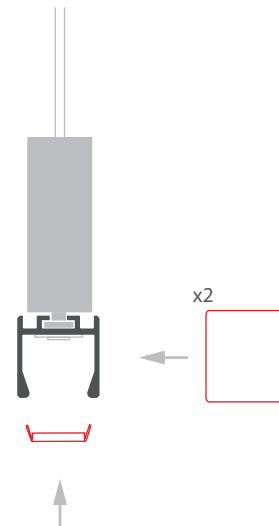
cross-section



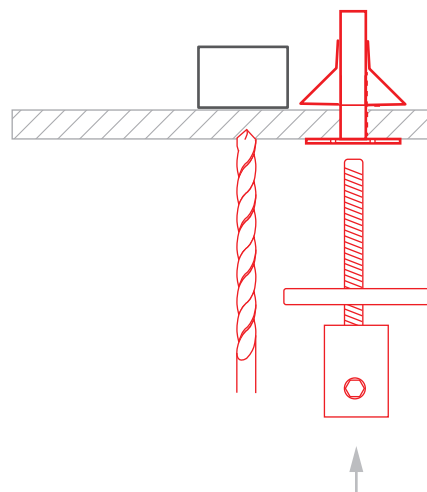
top view



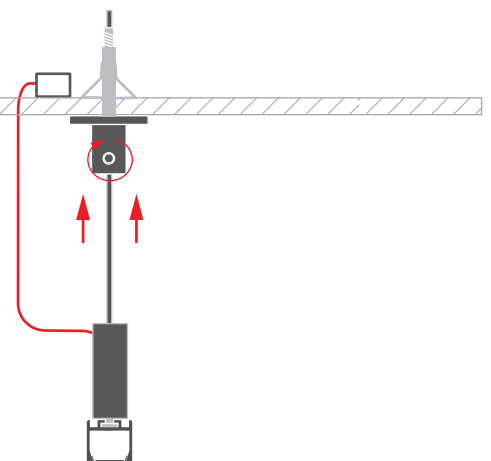
4. Install the cover and both end caps.



5. Install the W-KG ceiling fasteners. The fastener installation manual can be downloaded [here](#). Place the power supplier next to the fastener and drill the ceiling to lead the cable to it.



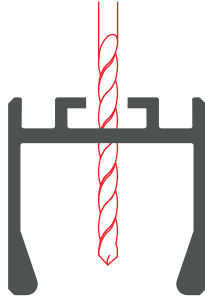
6. Mount the fixture with rods into the ceiling fasteners. Connect the cable to the power supplier, leading it through a pre-drilled hole in the ceiling.



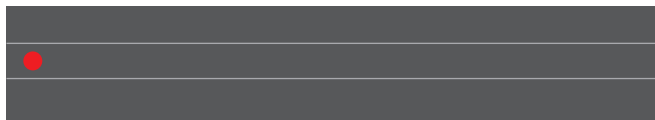
*If fully built fixtures are ordered and received from KLUS please skip to step 5

1. Drill the holes in the PDS-ZM extrusion to lead the power cable.

cross-section

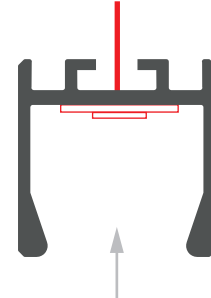


top view



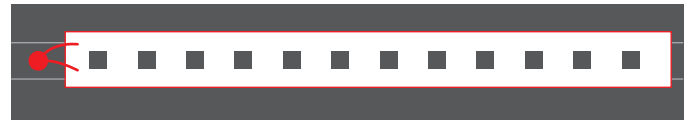
2. Mount the LED strip in the extrusion and lead the cable through a pre-drilled hole.

cross-section



bottom view

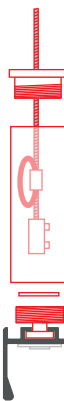
Positive pole has to be soldered



Negative pole has to be soldered

3. Install the PUSZ-LIN-ZM fasteners with steel wires on the PDS-ZM extrusion. The fastener installation manual can be downloaded [here](#).

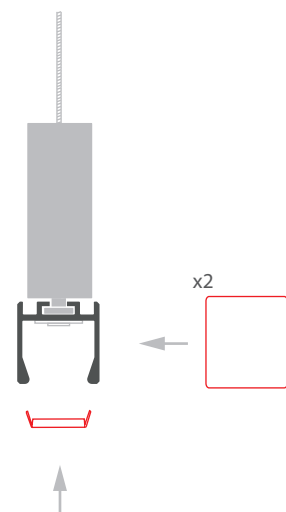
cross-section



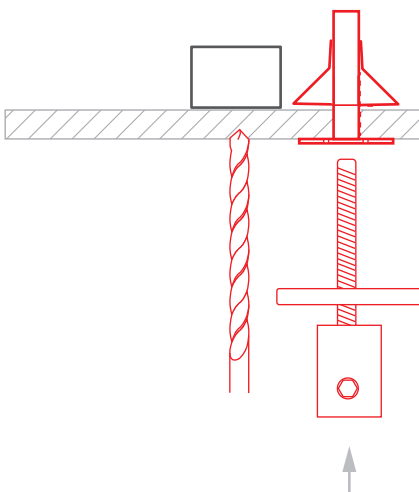
top view



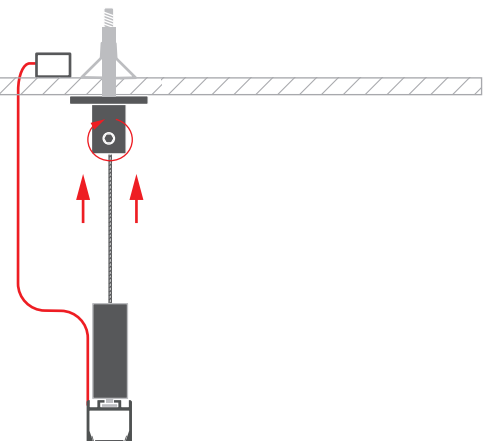
4. Install the wire, cover and both end caps.



5. Install the W-KG ceiling fasteners. The fastener installation manual can be downloaded [here](#). Place the power supplier next to the fastener and drill the ceiling to lead the cable to it.



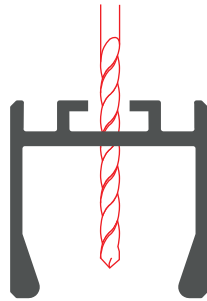
6. Mount the fixture with steel wires into the ceiling fasteners. Connect the cable to the power supplier, leading it through a pre-drilled hole in the ceiling.



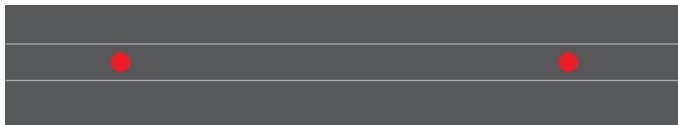
*If fully built fixtures are ordered and received from KLUS please skip to step 5

1. Drill the holes in the PDS-ZM extrusion to mount the PUSZ-LIN-ZM fasteners.

cross-section

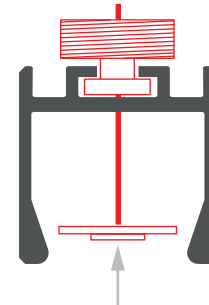


top view

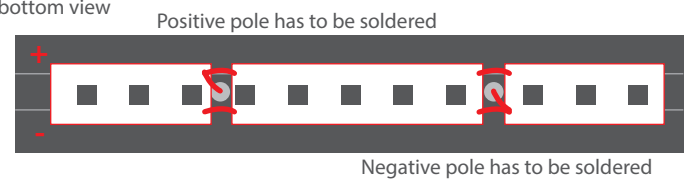


2. Mount the LED strip in the extrusion and lead the cables through pre-drilled holes and threaded plugs of the PUSZ-LIN-ZM fasteners. Each hole should lead a cable with one power pole, LED strip has to be cut before installation, so the wires can be easily routed to the holes.

cross-section

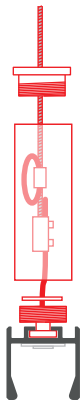


bottom view



3. Connect the wires to the Install the power connectors of the PUSZ-LIN-ZM fasteners and install the whole fasteners with steel wires on the PDS-ZM extrusion. The fastener installation manual can be downloaded [here](#).

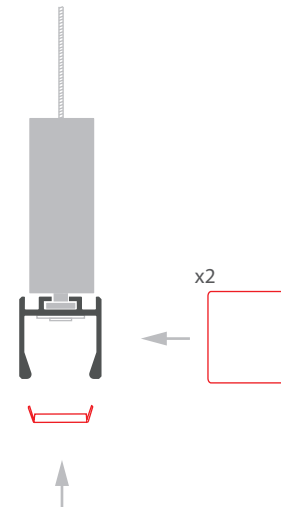
cross-section



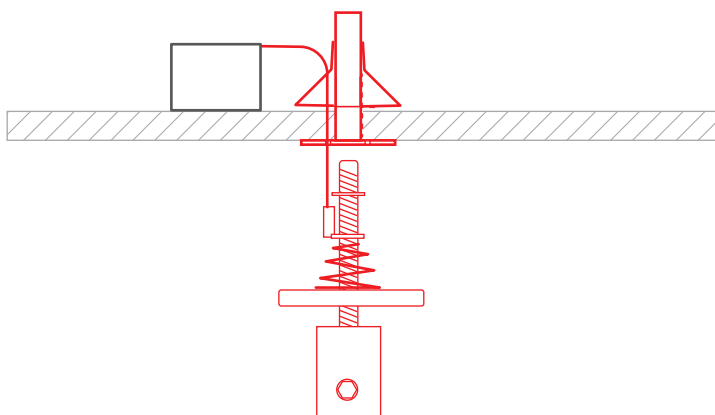
top view



4. Install the wire, cover and both end caps.



5. Install the W-KG-Z ceiling fasteners. The fastener installation manual can be downloaded [here](#). Connect the cables, each for the single power pole to the fasteners. The cables should go through a pre-drilled hole just under the masking cover of the fastener.



6. Mount the fixture with steel wires into the ceiling fasteners. Mind that the power poles connected to the steel wires should match the ones connected to the fasteners.

