

## LFA Series

Mini LED Bollard Pathway Light Specifications

Project \_\_\_\_\_

Date \_\_\_\_\_ Type \_\_\_\_\_



LFA-B01x-30K



### Available Models<sup>1</sup>

- LFA-B01BR-30K       LFA-B01BK-30K
- LFA-B01BR-40K       LFA-B01BK-40K

### Part Number Breakdown

Example: LFA-B01BR-30K

Series	MODEL	COLOR	CCT
LFA	B01 [Mini Bollard Path Light]	BR [Bronze]	30K [3000K]
		BK [Black]	40K [4000K]

### Description

LFA Series mini LED bollard path lights have a durable aluminum housing and mounting stake. The lights emit a 180° beam in a 360° radius to illuminate various landscape features. An IP65 waterproof rating makes them well suited for outdoor use in wet conditions. The corrosion resistant aluminum housing has a durable powder coat finish available in black or bronze.

### Construction/Mechanical

- Black or Bronze finished aluminum housing
- Aluminum mounting stake
- Frosted glass lens
- IP65 waterproof rated
- 20 AWG wire pigtail

### Electrical

- 12 VAC, 12 VDC input
- 40,000 hour LED lifetime

### Photometric

- 150-lumen output
- Available in 3000K or 4000K
- 360° x 180° beam angle

### Application

LED landscape path lights are ideal for outdoor accent lighting for gardens, walkways, driveways, and patios.

### Certifications and Compliances

These lights are ETL Listed in compliance with UL 2108 standards. They are also IP65 rated, suitable for wet locations.



### Warranty

- 5-year warranty



T 866.811.5550  
 F 314.972.6202  
 email: commercial-sales@superbrightleds.com  
 www.superbrightleds.com/cat/industrial-led-lighting/

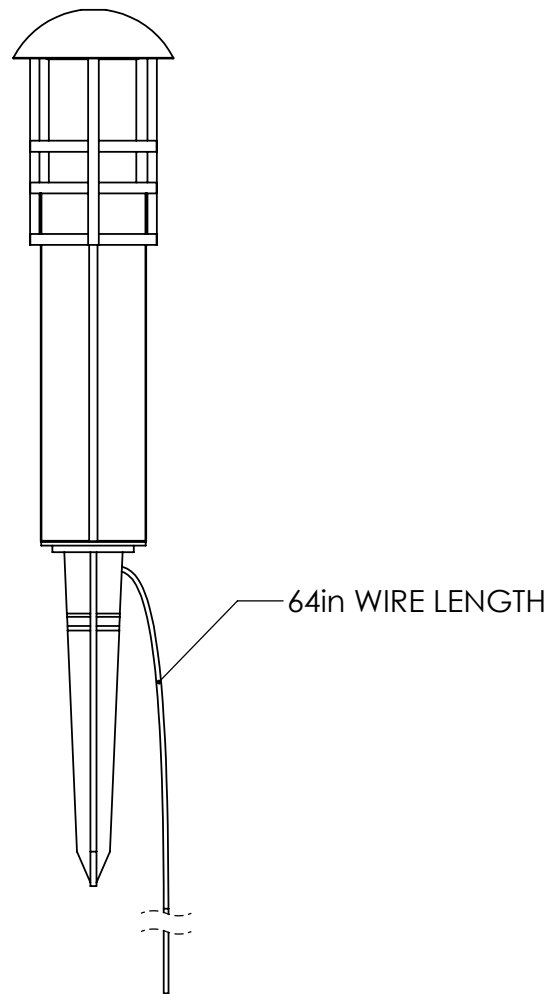
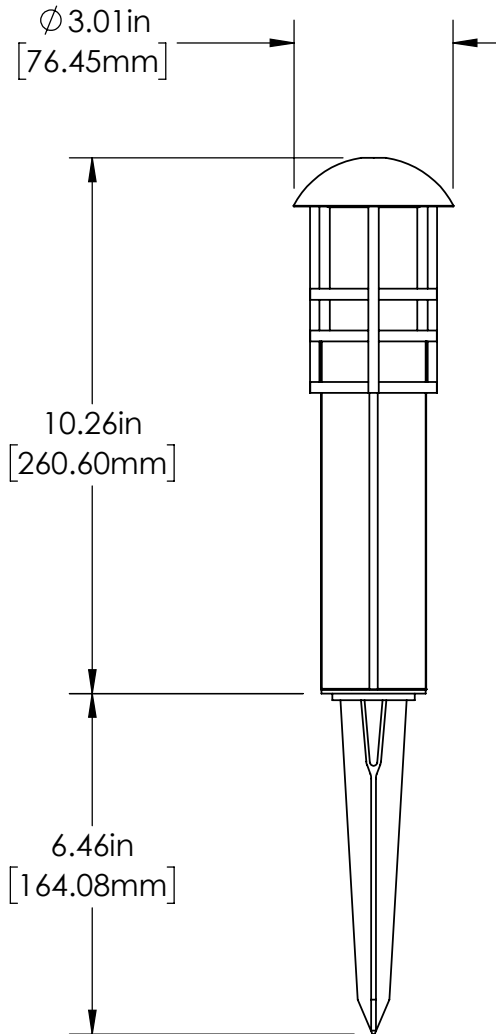
<sup>1</sup>Contact customer service if interested in options other than those listed.

# LFA Series

Mini LED Bollard Pathway Light Specifications

## Dimensional Drawings

LFA-B01x



# LFA Series

## Mini LED Bollard Pathway Light Specifications

### Specifications

Model		LFA-B01x-30K	LFA-B01x-40K
Color Temperature		3000K	4000K
Intensity		150 lm	
Dimming		N/A	
Operating Voltage		12 VAC, 12 VDC	
Power Consumption		3 W	
Current Draw	12 VAC	280 mA	
	12 VDC	250 mA	
Beam Angle		360° x 180°	
CRI		90+	
Environmental Rating		IP65, suitable for wet locations	
Ambient Operating Temperature		-4°-104° F (-20°-40° C)	
Rated Life (L70)		40,000 hours	

