



CRN4S-SW3C-SP55



Available Models¹

- CRN4S-SW3C-SP55

Part Number Breakdown

Example: CRN4S-SW3C-SP55

Series	CCT	Wattage	Max Wattage
CRN4S	SW3C [Selectable CCT 3500K / 4000K / 5000K]	SP [Selectable Power 35 W / 45 W / 55 W]	55 [55 W]

Description

CRN4S corner light fixtures have an all-in-one design with three wattage and three color temperature settings in one light, offering customization and versatility during install. One type of fixture can outfit an entire school, hospital, or business, adjusting to different lighting needs in each unique space. It fits a wide range of residential, commercial, and industrial applications. The curved lens diffuses light, producing a uniform 110° beam angle. Ideal for replacing older lighting or for new construction applications such as hallways, stairwells, and other indoor pathways.

Mechanical/Construction

- Steel housing and polycarbonate lens
- -4°-122° F (-20°-50° C) operating temperature
- Rated IP20 for damp locations

Electrical

- 120-277 VAC input
- 0-10 V dimming
- 100,000 hour (L70) rated lifespan

Photometrics

- Selectable CCT (3500K / 4000K / 5000K)
- 110° beam angle
- 120 lm/W efficacy

Application

Mounts in stairways and hallways to provide even, high quality lighting for optimal safety.

Warranty

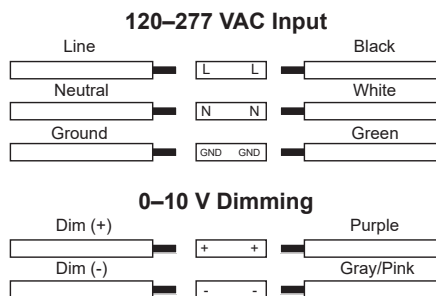
- Five (5) Year Warranty

Certifications and Compliances

- Certified by UL - UL 1598 (IFAM)
- DLC 5.1 Standard listed



Wiring Diagram

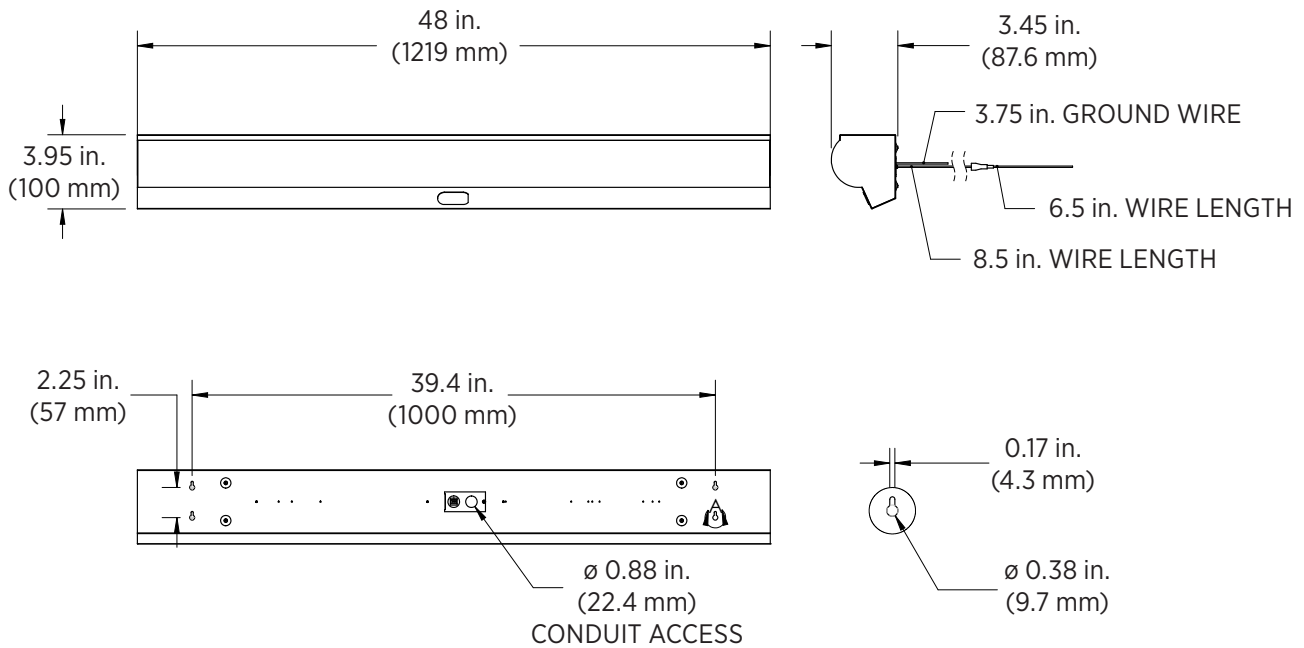


¹Contact customer service if interested in options other than those listed.

CRN4S Series

LED Corner Light Specifications

Dimensional Drawing



Specifications

Model	CRN4S-SW3C-SP55	
Operating Voltage	120-277 VAC	
Intensity	6,600 lm / 5,400 lm / 4,200 lm	
Power Consumption	Selectable (55 W / 45 W / 35 W)	
Current Draw	120 VAC	460 mA / 375 mA / 290 mA
	277 VAC	200 mA / 160 mA / 130 mA
Efficacy	120 lm/W	
Color Temperature	Selectable (3500K / 4000K / 5000K)	
Beam Angle	110°	
CRI	80+	
Power Factor	≥0.9	
Dimming	0-10 V	
Environmental Ratings	Suitable for damp locations, non-weatherproof	
Rated Life (L70)	100,000 hours	
Ambient Operating Temperature	-4°-122° F (-20°-50° C)	

