

Important: Read all instructions prior to installation.

Recessed LED Step Lights

Included Parts

- 1 - step light
- 1 - wire pigtail

Safety and Notes

- This product should be installed and serviced in accordance with applicable national, state, and local building and electrical codes.
- To reduce the risk of electric shock, ensure that the main power source and circuit breakers are switched off before performing any installation or wiring procedures..
- When interconnected, each six light accessory harness will support five lights each instead of six as the last connector will be used to connect to the next harness.

Optional Accessories

- RSL-6S** - six light wire harness for single color light
- RSL-S2M** - 6.6 ft (2 m) extension harness for single color light
- RSL-6RGB** - six light wire harness for RGB lights
- RSL-RGB3M** - 9.8 ft (3 m) extension harness for single RGB light



Specifications

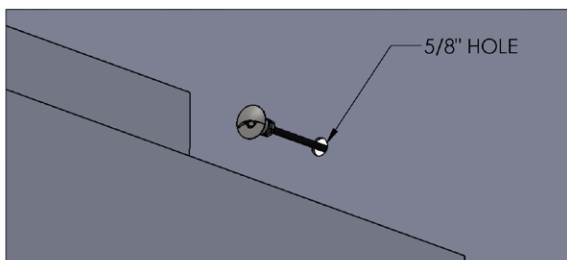
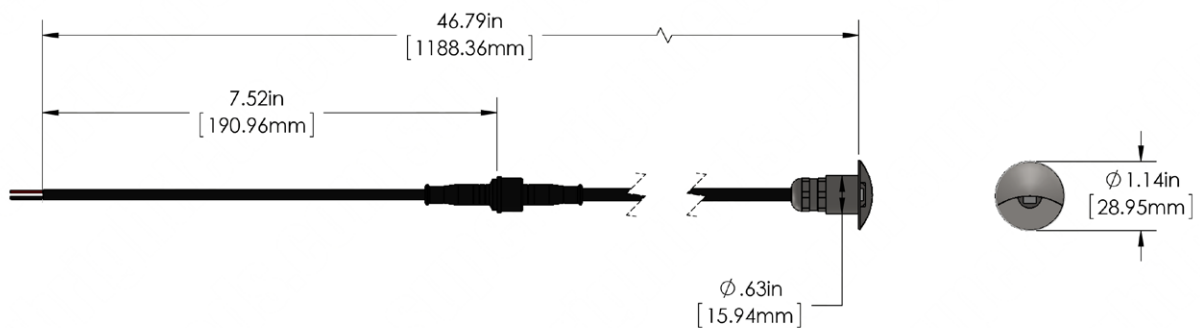
Model	RSL-x
Operating Temperature	-4°–122° F (-20°–50° C)
IP Rating	IP65

Installation

1. Mark and drill 5/8" hole in mounting surface.
2. Make electrical connection
3. Test fit light. If needed, apply silicone adhesive to assist in securing light.

Dimensional Drawings

RSL-40K1-S shown (dimensions represent all models)

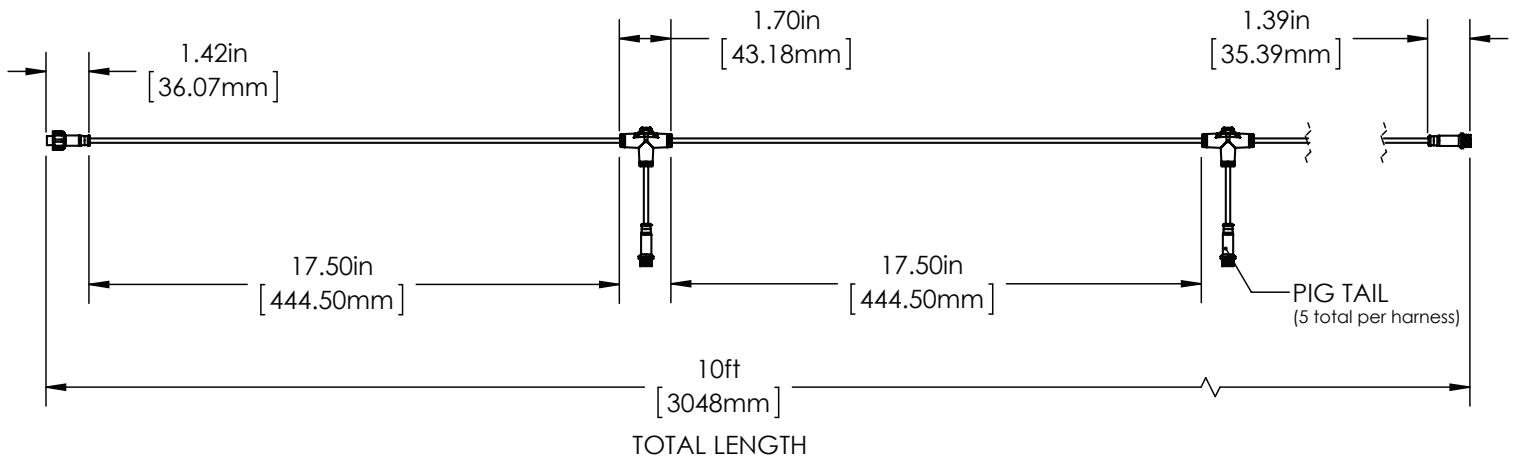


Important: Read all instructions prior to installation.

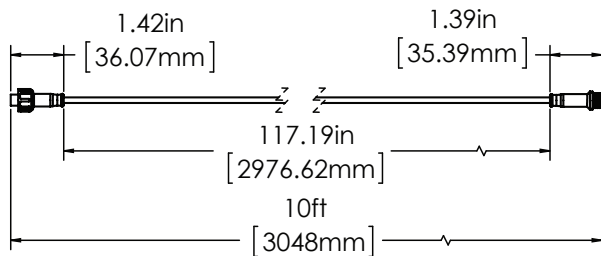
Recessed LED Step Lights

Dimensional Drawings (accessories)

RSL-6RGB (Dimensions also represent RSL-6S)



RSL-RGB3M



RSL-S2M

