

Available Versions¹

5-Meter Length

- STACD-A30K90-C8D-14S5M-120V
- STACD-A40K90-C8D-14S5M-120V
- STACD-A50K90-C8D-14S5M-120V

25-Meter Length

- STACD-A30K90-C8D-14S25M-120V
- STACD-A40K90-C8D-14S25M-120V
- STACD-A50K90-C8D-14S25M-120V

SAMPLE PART NUMBER BREAKDOWN

STACD-A30K90-C8D-14S5M-120V

SERIES / TYPE / COLOR / CRI				LED TYPE / SEGMENT		IP RATING	SIZE / DENSITY / VOLTAGE			
STACD	A	30K	90	C	8	D	14	S	5M	120V
Series	Strip Type	Color/CCT	CRI	LED Type	LED/Segment	IP Rating	Strip Width	Density	Length	Voltage
STACD: Dimmable Weatherproof AC Strip	A: Single CCT	30K: 3000K 40K: 4000K 50K: 5000K	90: 90+ CRI	C: 2835	8: 8 LED/seg	D: IP65	14: 14 mm*	S: 80 LEDs/m	5M: 16.4 ft (5 m) 25M: 82 ft (25 m)	120V: 120 V

* Waterproof material adds 2 mm to the physical width.

Overview

The 120V White Plug and Play LED Strip Light is designed for versatile indoor and outdoor use. It features TRIAC dimmable technology for lighting control and a 90+ high CRI for accurate color rendering. The waterproof construction allows for use in wet locations, and plug-and-play installation simplifies setup. It is ideal for under-cabinet lighting, outdoor lighting, and residential accents. The tape light is available in 16.4 ft (5 m) and 82 ft (25 m) lengths.

Features

- Easy plug-and-play installation
- TRIAC dimmable
- 90+ CRI provides vibrant color rendering
- Available in 5m or 25m lengths

Product Details

- Max run (Class 2): up to 164 ft (50 m)
- IP65 waterproof, suitable for wet locations
- 120° beam
- 120 VAC

Warranty

- 5-year warranty

Applications

- Accent Lighting
- Ambient Home Lighting
- Cove Lighting
- Exhibitions
- Museums
- Offices
- Photography Lighting
- Retail Shops
- Task Lighting
- Trade Shows

Accessories

- STAC-PT50 (hardwire adapter kit)
- STAC-1-15P-50 (wall plug adapter kit)
- STAC-CLIP (5 m mounting clip kit)
- STAC-2J12 (1 ft jumper cable)
- STAC-2DC (butt connector)
- STAC-2LC (L connector)
- STAC-EC (end cap)
- STAC-PVC10Z (PVC sealant)

Certifications

- ETL Listed (UL 2388)



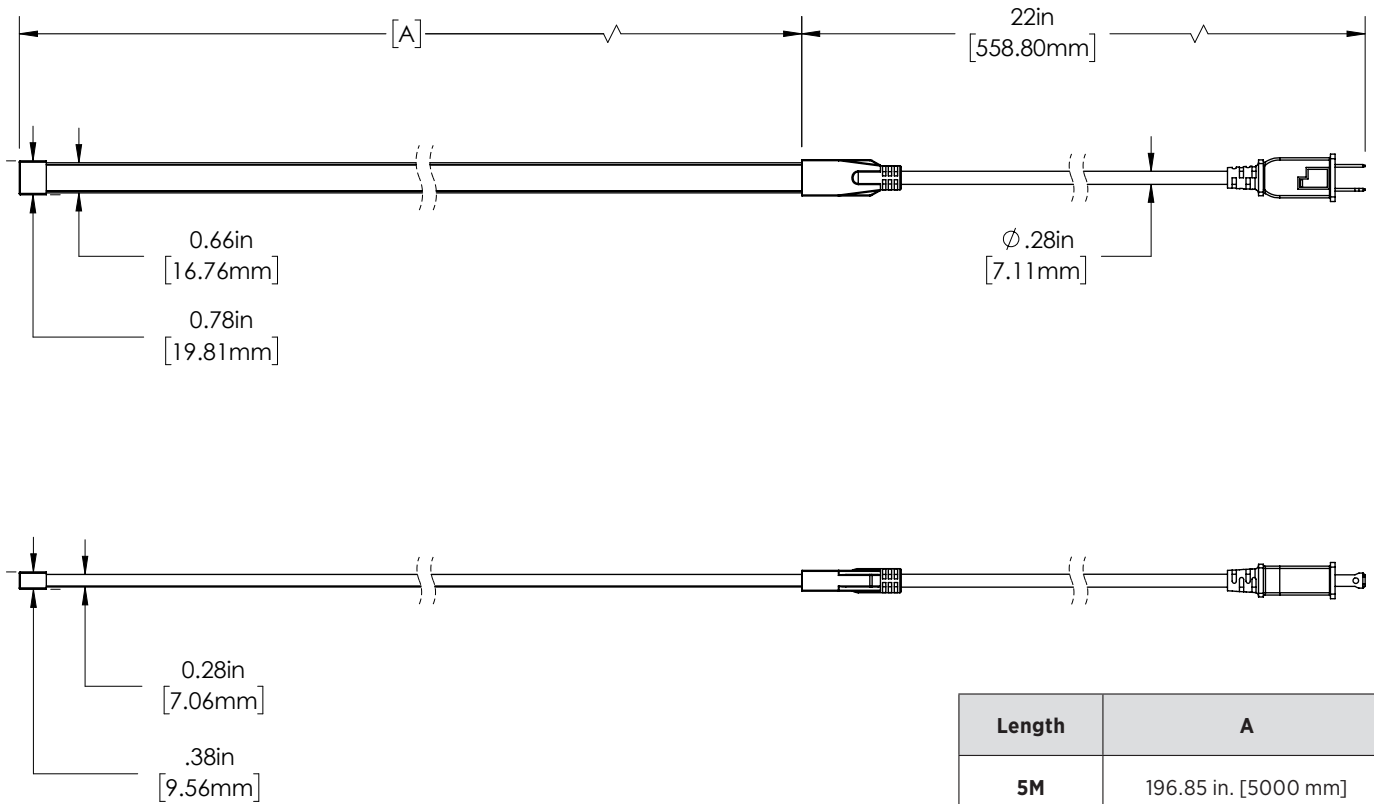
¹Contact customer service for additional options.

superbrightleds.com

Highlight Series LED Strip Lights

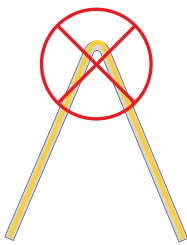
Single CCT 120 VAC Strips

Dimensions

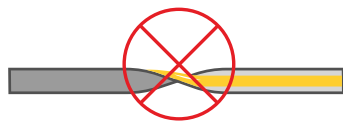


Length	A
5M	196.85 in. [5000 mm]
25M	984.25 in. [25000 mm]

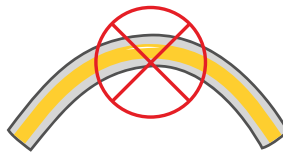
Strip Flexibility



Bending strips at sharp angles will damage circuit traces and void warranty.



Twisting strips will damage circuit traces and void warranty.



Bending strips on horizontal plane will damage circuit traces and void warranty.

Note: Only a licensed electrician should make modifications. Disconnect the strip from power before modifying.



superbrightleds.com

Highlight Series LED Strip Lights

Single CCT 120 VAC Strips

Specifications

Model	STACD-A30K90-C8D-14Sx-120V	STACD-A40K90-C8D-14Sx-120V	STACD-A50K90-C8D-14Sx-120V
CCT	3000K	4000K	5000K
Voltage	120 VAC		
Wattage	4.3 W/ft		
Current Draw	36 mA/ft		
Power Factor	≥0.97		
Lumens	384 lm/ft		
Efficacy	90 lm/W		
CRI	90+		
Dimming	TRIAC		
Beam Angle	120°		
IP Rating	IP65		
Environmental Rating	Suitable for Wet Locations, Waterproof		
Protections	Over Voltage, Over Current, Over Temperature		
LED Density	24 LEDs/ft		
Max Run	164 ft (50 m)		
Minimum Cut Length	3.9 in. (100mm)		
LEDs per Segment	8		
Input Connection Type	NEMA 1-15P plug		
LED Lifetime	36,000 hours		
Ambient Operating Temperature	-4°-113° F (-20°-45° C)		



Highlight Series LED Strip Lights

Single CCT 120 VAC Strips

Dimmer Compatibility

Brand	Family	Module	Type	Min. Dimming Power
SBL	DND	DND-LED1-1-x	LED/CFL/Halogen/Incandescent	10%
		DND-LED3-1-x		10%
	DMR	DMR-TS01-3WH-x		10%
		DMR-TT01-3WH-x		10%
		DMR-TE01-3WH-x		10%
		DMR-TE01-3WH-Wifi-x		10%
Leviton	Decora	IPL06	LED/Halogen/Incandescent	10%
		DSL06		10%
Lutron	Diva	DVCL-153P	LED/CFL/Halogen/Incandescent	10%
		DVLV-600P	Magnetic Low Voltage	10%
		DV-600P	Halogen/Incandescent	10%
		DVELV-300P	Electronic Low Voltage	10%
	Dalia	RCL-153PNL	LED/CFL/Halogen/Incandescent	10%
	Maestro	MAELV-600	Electronic Low Voltage	10%
		MACL-153ML	LED/CFL/Halogen/Incandescent	10%
	Skylark	SELV-300P	Electronic Low Voltage	10%
		CTCL-153P	LED/CFL/Halogen/Incandescent	10%
		SCL-153P		10%
	Toggler	TGCL-153P	LED/CFL/Halogen/Incandescent	10%
	Sunnata	STCL-153M	LED/CFL/Halogen/Incandescent	10%

Note: The minimum power load of the product may be required for some dimmers. Although the product can be delivered and used at a maximum length of 50 m [164 ft], the total wattage of one working unit may exceed the capacity of some dimmers. The product length and power consumption must be considered when choosing a dimmer.

