

# LED FLAME LANTERN

Model No. EFL-130W-MD

A step above simple outdoor lighting, the Euri Lighting Flame Bulb Fixture decorates, illuminates and protects. Note-worthy and inventive, the LED-integrated outdoor lantern is designed with dusk-to-dawn technology, motion sensor detection and an enclosed flame bulb programmed with over 300 LEDs. At sunset, the enclosed flame bulb turns on flicker motion, then when motion is detected, the fixture turns to full brightness. Aside from ensuring safety and security, the decorative lantern offers an aesthetic appeal with water glass, bronze finish, and a swopping S-hook arm.



Bronze Finish  
with Water Glass Lens

N/A

REPLACEMENT

12.5W

12.5 Watts

3000K

Soft White



Motion Sensor



Photocell



Wet Rated



Flame Bulb Included



Integrated LED Fixture



## Electrical Specifications

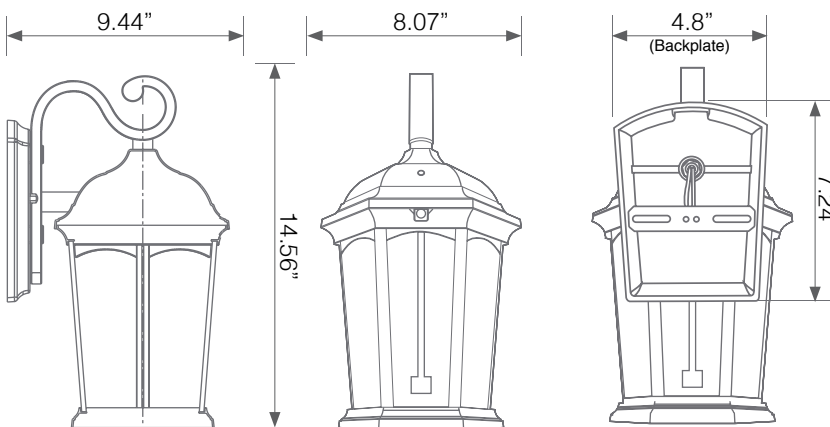
Model No.	Input Power	Input Voltage	Lumen Output	Beam Angle	Center Beam	CCT
EFL-130W-MD	12.5 W	120 V	1200 lm	110°	N/A	3000 K

CRI	Luminous Efficacy	Power Factor	Input Current	Base	Lamp Lifespan	Estimated Yearly Cost
80	96 lm/W	0.7	0.1 A	Direct Wiring	50,000 Hrs.	\$ 1.50

## Mechanical Specifications

Rating	Operational Temperature	Inner Box QTY.	Master Box QTY.	Dimensions(in.)	UPC Code
Wet Rated	-4°F - 104°F	N/A	2 pcs	8.07"(L) x 9.44"(W) x 14.56" (H)	811174031314

## Product Dimensions



## Product Photometric Data

