

Project _____

Date _____ Type _____



Description

LSRD strip retrofit kits feature easily installed modular retrofit solutions that fit a wide range of residential, commercial, and industrial environments. The curved lens diffuses light, producing a uniform 120° beam angle. Ideal for any retrofit applications where a pre-existing fluorescent strip fixture is present, such as basements, workshops, and commercial spaces.

Mechanical

- Steel housing and polycarbonate lens
- Steel extensions attach easily to existing housing for a clean looking and time effective retrofit
- IP44 rated and suitable for damp locations

Electrical

- 100–277 VAC input
- 0–10 V dimming

Photometrics

- 120° beam angle
- 130 lm/W
- 4000K or 5000K CCT available

Application

Easily retrofits traditional T5 and T8 fluorescent strip fixtures. Simple installation make these ideal for many applications including garages, shops, warehouses, and other work or storage areas.

Available Models¹

- LSRD-40K4-40
- LSRD-50K4-40

Part Number Breakdown

Example: LSRD-50K4-40

Family	CCT	Length	Wattage
LSRD	50K [5000K]	4 [4 ft]	40 [40 W]

Certifications and Compliances

This light is DesignLights Consortium listed as DLC 5.1 Standard. It is also Certified by UL and rated as being suitable for damp locations.

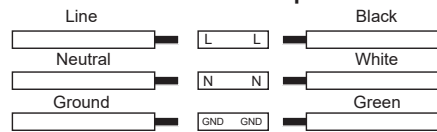


Warranty

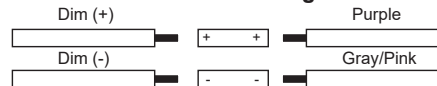
Five (5) Year Warranty

Wiring Diagram

100–277 VAC Input



0–10 V Dimming



T 314.743.3067

F 314.972.6202

email: commercial-sales@superbrightleds.com

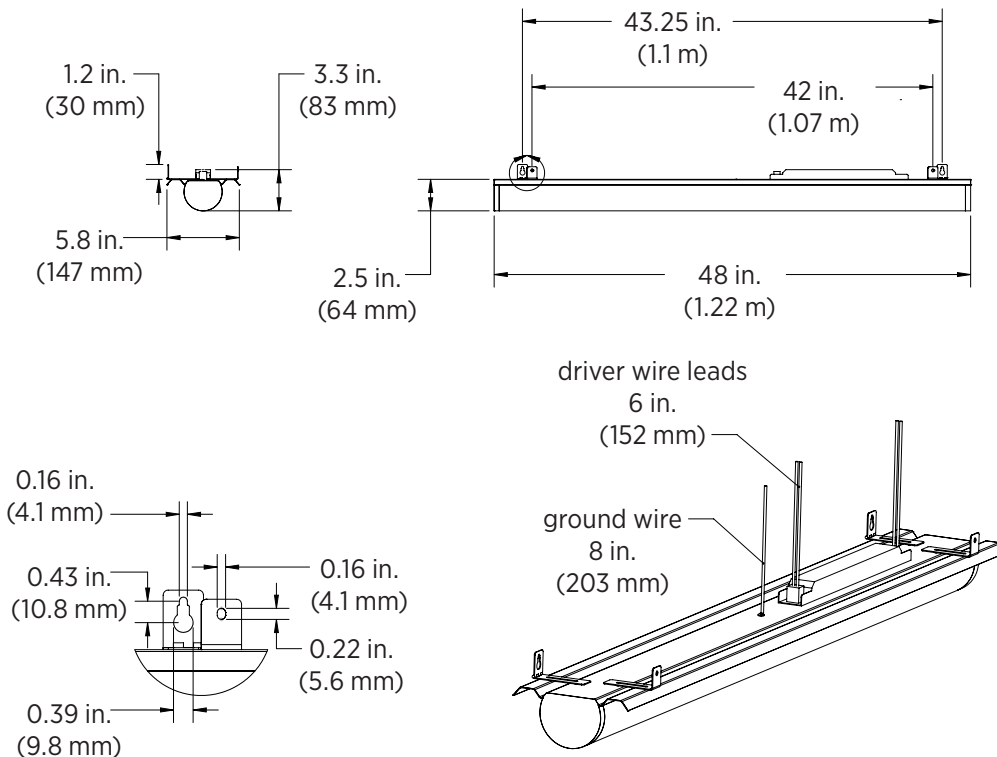
www.superbrightleds.com/cat/industrial-led-lighting/

¹Contact customer service if interested in options other than those listed.

LSRD Series

LED Strip Light Retrofit Kit Specifications

Dimensional Drawing



Specifications

Model	LSRD-40K4-40	LSRD-50K4-40
Intensity	5,200	
Operating Voltage	100-277 VAC	
Power Consumption	40 W	
Current Draw	333 mA @ 120 VAC / 144 mA @277 VAC	
Efficacy	130 lm/W	
Color Temperature	4000K	5000K
Beam Angle	120°	
CRI	80+	
Power Factor	≥ 0.9	
Dimming	0-10 V	
Environmental Ratings	IP44, suitable for damp locations	
Ambient Operating Temperature	-4°-104° F (-20°-40° C)	
Rated Life (L70)	50,000 hours	

