

*Important: Read all instructions prior to installation.*

## Linkable LED Shop Light

### Linking Fixtures

- Plug the 1-15P plug into the end of another light to link the two.  
No more than 10 lights should be placed in one run.

## Linkable LED Shop Light

SLLP-xK4-42

## User Manual



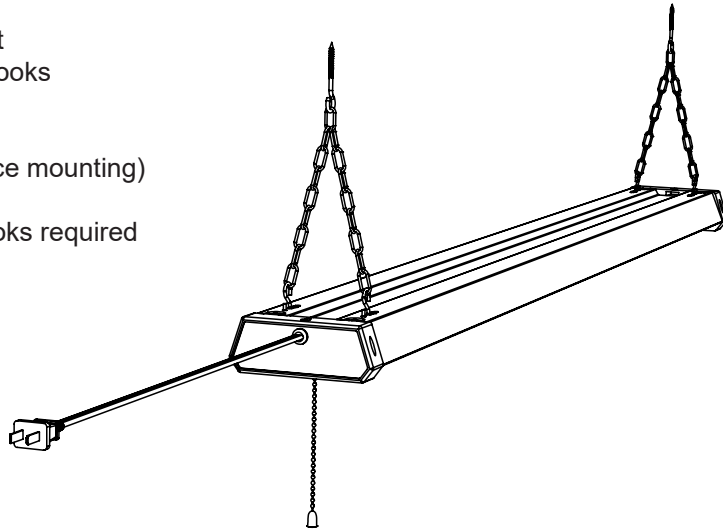
*Important: Read all instructions prior to installation.*

**Linkable LED Shop Light**

**Included Parts**

- 1 - 4' LED Shop Light
- 2 - 2' Chain with S-Hooks
- 2 - Mounting Hook
- 2 - Mounting Anchor
- 2 - Screws (for surface mounting)

Two anchors and hooks required for installation.



**Safety and Notes**

- Product should be installed in accordance with applicable national, state, and local building and electrical codes.
- Avoid looking directly into the lamp when illuminated.
- Ensure all mounts are securely attached and will support the weight of the fixture. Failure to properly support the fixture may result in damage or injury, for which the manufacturer does not assume responsibility.
- While lights can be linked (up to ten lights), each light is still actuated by its own individual pull chain.
- Do not install in a location that is damp or in proximity to a radiant heater.

**Specifications**

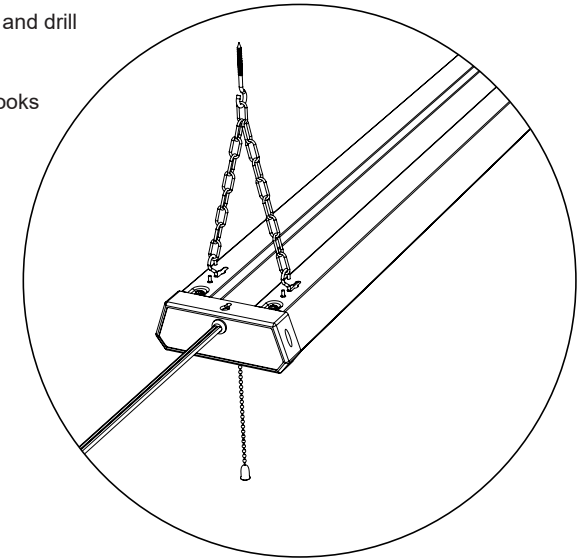
SLLP-xK4-42	
Dimmable	No
Connection Type	1-15P
IP Rating	IP20
Operating Temperature	-4°–104° F (-20°–40° C)
Fixture Weight	3.2 lb (1.5 kg)

**Installation Instructions For Single Light**



**Suspension Mount**

1. Measure anchors for appropriate size and drill two holes 42 inches apart.
2. Insert anchors and thread in hooks.
3. Hook shop light securely to chain S hooks then hang chain on ceiling hook.



**Surface/Flush Mount**

1. Mount the two provided screws 47 inches apart. Leave a gap of approximately 1/16 inch between surface and screw head.
2. Slide the light onto the screws. Adjust screws as needed to ensure light is securely mounted.

