

**Important: Read all instructions prior to installation.**

## 4-Channel DMX512 Decoder



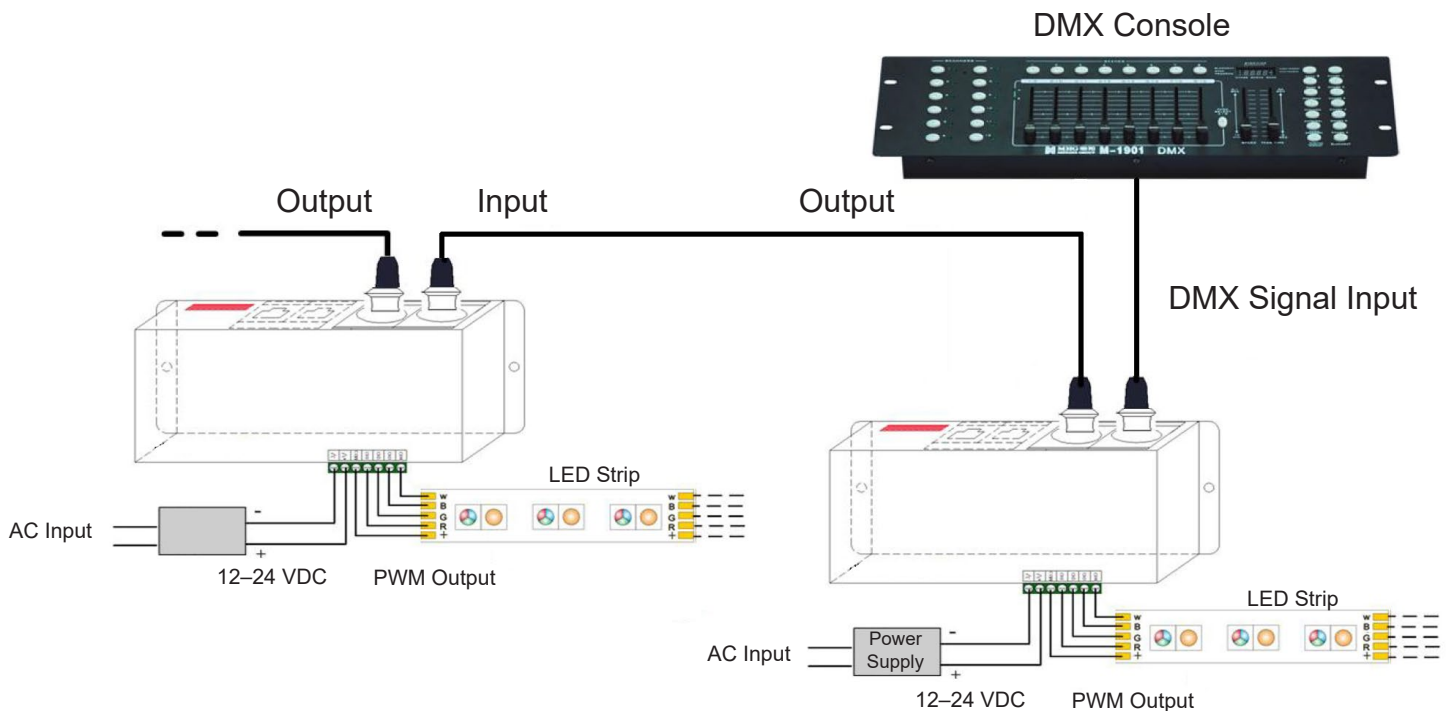
### Safety and Notes

- Product should be installed in accordance with applicable national, state, and local building and electrical codes.
- To reduce the risk of electric shock, ensure that the main power source and circuit breakers are switched off before performing any installation or wiring procedures.
- Ensure all mounts are securely attached and will support the weight of the decoder. Failure to properly secure it may result in damage or injury, for which the manufacturer does not assume responsibility.
- A DMX console is required for proper use of this decoder.

### Specifications

Technical Specifications	
Operating Temperature	-4°–140° F (-20°–60° C)
Supply Voltage	12–24 VDC
Max. Output Current	up to 4 A per channel, up to 16 A total
PWM Output	4 Channels
DMX512 standard	DMX512/1990

### Wiring Diagram (common application)



**Important: Read all instructions prior to installation.**

## 4-Channel DMX512 Decoder

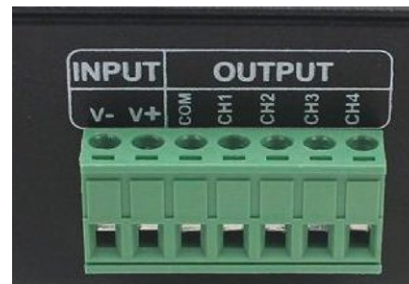
### Connections



DMX512 input and output



RJ45 input and output



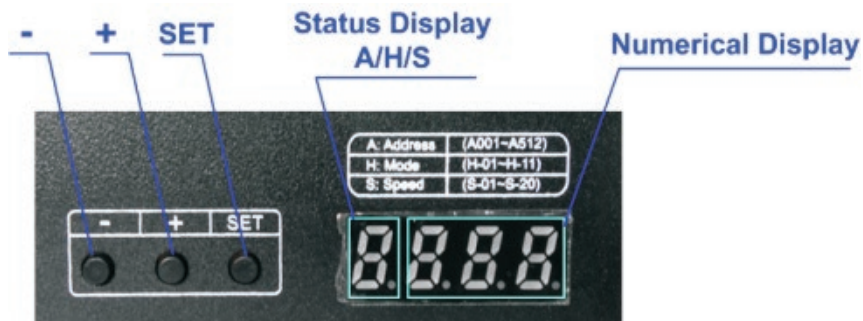
power input and output

### Button Function

Mode selection switch. Hold SET for about 2 seconds to cycle between functions A and H. When on function H press to switch between functions H and S.

### Operation

Each decoder will occupy 3 address codes. The first character on the display will be A, H, or S to display the function setting. The remaining three characters will be the DMX address (001–512) or the mode selection.



When in mode 'A', the decoder is being controlled by the DMX console. The digital display will show the first DMX address with the next two consecutive numbers being the remaining channels the decoder will use. So if the display shows 'A001', this means that the first channel is 001 and the other three channels are 002 and 003 respectively. When connecting to an additional decoder, the default value of the next decoder's first channel would be 004 and the others two channels of it would be 005 and 006 in this example.

When in mode 'H', the decoder is using the built-in test mode programs. The remaining three character spots will display the below codes to indicate which program is currently selected.

Display	Mode	Display	Mode
H-00	Turn OFF output	H-05	Static Purple
H-01	Static Red	H-06	Static Cyan
H-02	Static Green	H-07	Static White
H-03	Static Blue	H-08	Seven Color Jump (Speed Adjustable)
H-04	Static Yellow	H-09	Seven Color Fade (Speed Adjustable)

When in mode "S", press the SET button to enter the speed adjustment setting for H-08 and H-09, then press the +/- buttons to adjust pattern speed.

