

Available Models¹

- HBUD3-SW3B150S-DDGSY HBUD3-SW3B150S-DDGSY-PR
- HBUD3-SW3B240S-DDGSY HBUD3-SW3B240S-DDGSY-PR
- HBUD3-SW3B300S-DDGSY HBUD3-SW3B300S-DDGSY-PR

HBUD3-SW3B300S-DDGSY

Part Number Breakdown

Example: HBUD3-SW3B240S-DDGSY-PR

Series	Selectable CCT	Selectable Wattage	Input Voltage	Dimming	Beam	Driver	Options
HBUD3 [High Bay UFO Downlight]	SW3B [3000K, 4000K, 5000K]	150S [80, 120, 150W]	D [277-480 VAC]	D [0-10 V]	G [90°]	SY [Sosen]	PR [PC Reflector]
		240S [150, 200, 240W]					blank [none]
		300S [200, 240, 300W]					

Overview

The high-voltage LED UFO high bay light has a sensor-ready center port that allows easy integration of an optional daylight harvesting motion sensor for automatic lighting control and efficient operation. Use the switches on the driver to select wattage and color temperature, providing versatile lighting customization. This high-voltage UFO high bay has a 160 lm/W high efficacy, replacing traditional metal-halide fixtures. The 90° beam angle is ideal for high-mounted locations in large open areas. The fixture can be easily mounted using the included safety cable and steel eye bolt. Also available with a reflector that reduces glare, shadows, and directs light downward towards warehouse shelves.

Features

- Port for easy installation of optional motion sensor
- Field Selectable Wattage: (varies)
- Field Selectable CCT: 3000K, 4000K, 5000K
- 160 lm/W high efficacy minimizes operating costs

Product Details

- Powder-coated aluminum housing, polycarbonate lens
- Safety cable and steel eye bolt for mounting
- IP65 waterproof, suitable for wet locations
- 0-10V dimmable
- 277-480 VAC

Certifications and Compliances

- Certified by UL - UL 1598 (IFAM)
- DLC 5.1 Premium listed



Applications

- Auditoriums
- Commercial Buildings
- Distribution Centers
- Factories
- Grocery Stores
- Gymnasiums
- Manufacturing Plants
- Warehouses
- Workshops

Warranty

- 5-year warranty

Optional Accessory

- EFS106-AUX
(Keilton Network Lighting Control
PIR Daylight Harvesting Bluetooth
MESH Motion Sensor)

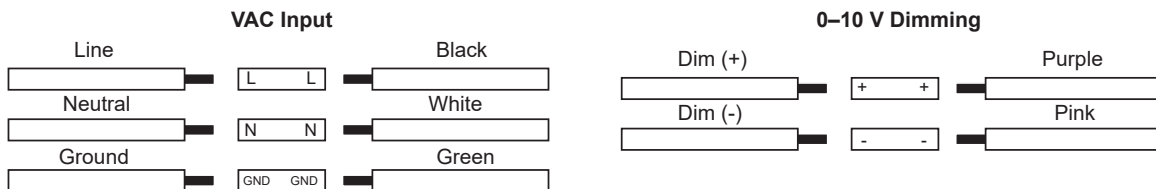


HBUD3 Series

LED UFO High Bay Specifications

SPECIFICATIONS			
Model	HBUD3-SW3B150S-DDGSY	HBUD3-SW3B240S-DDGSY	HBUD3-SW3B300S-DDGSY
DLC Product ID	S-X4X1YY	S-M1MS5Y	S-BJ0Q0M
PHOTOMETRIC			
Lumens	12800, 19200, 24000	24000, 32000, 38400	32000, 38400, 48000
Color Temperature	3000K, 4000K, 5000K, Selectable CCT		
Beam Angle	90°		
CRI	70+		
Efficacy	160 lm/W		
ELECTRICAL			
Input Voltage	277-480 VAC		
Selectable Wattage	80W, 120W, 150W	150W, 200W, 240W	200W, 240W, 300W
Current Draw	277 VAC	320/480/600mA	570/760/910mA
	480 VAC	185/275/345mA	345/460/555mA
Dimming	0-10V		
Power Factor	≥0.90		
Surge Protection	6kV (L/N-PE, L-N)		
MECHANICAL			
Product Materials	Aluminum Housing, Stainless Steel Eye Bolt, Polycarbonate Lens		
Finish	Black Powder Coat		
Input Connection	Pigtail		
Wire Gauge	18AWG (L/N/G), 22AWG (dimming)		
Impact Resistance	IK08		
Rated Life (L70)	50000 hours		
ENVIRONMENTAL			
IP Rating	IP65		
Environmental Rating	Suitable for Wet Locations, Waterproof		
Ambient Operating Temperature	-30 to 50°C (-22 to 122°F)		

Wiring Diagram

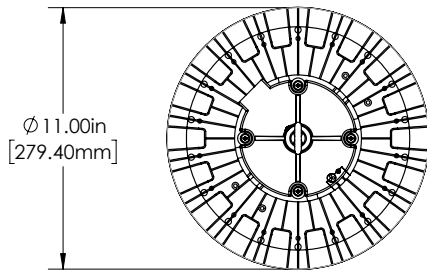
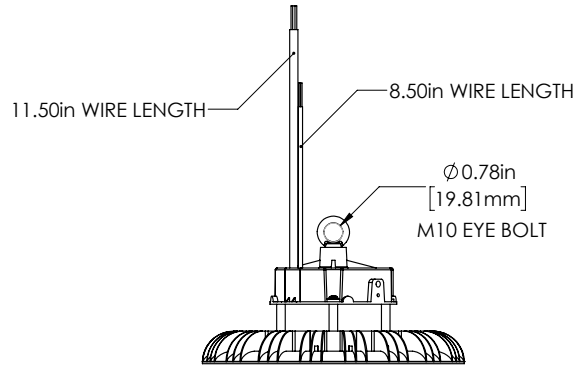
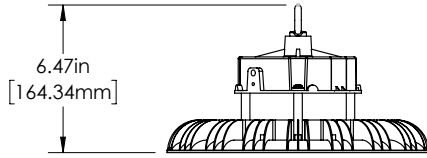


HBUD3 Series

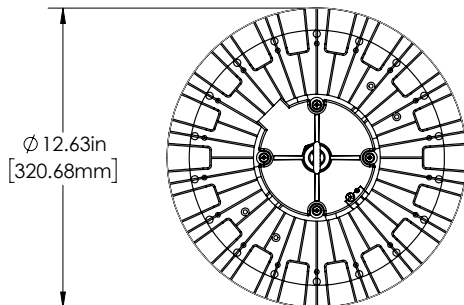
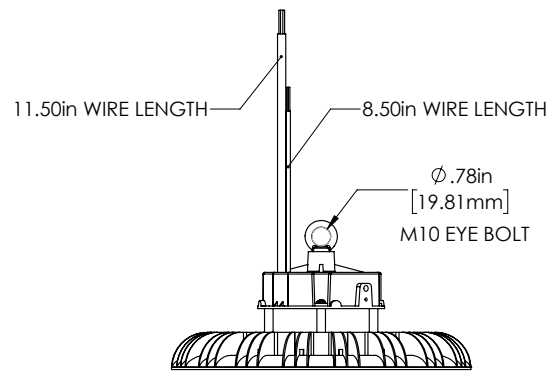
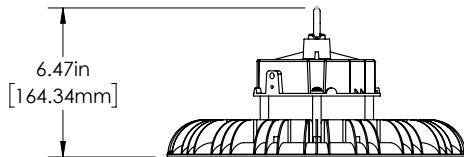
LED UFO High Bay Specifications

Dimensional Drawings

HBUD3-SW3B150S-DDGSY



HBUD3-SW3B240S-DDGSY

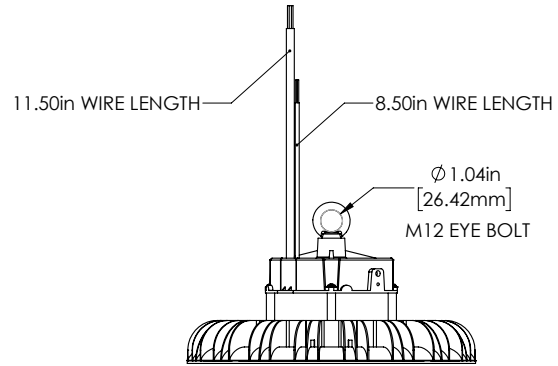
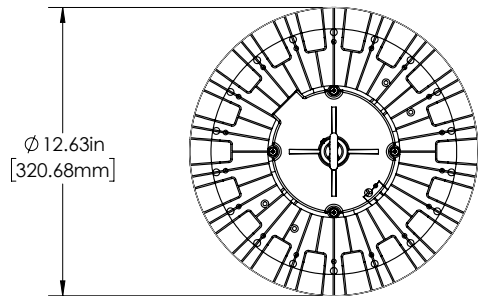
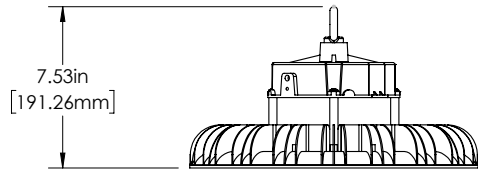


HBUD3 Series

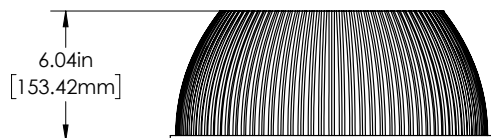
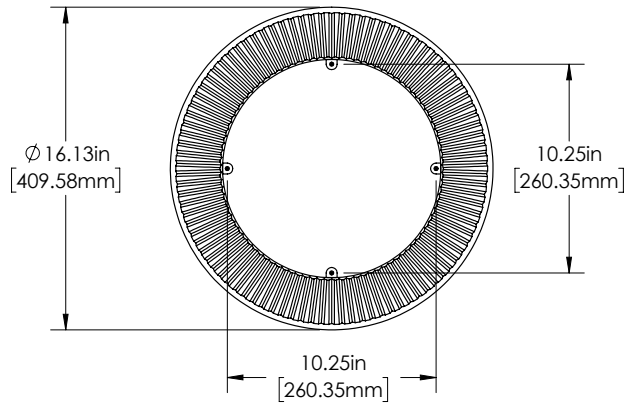
LED UFO High Bay Specifications

Dimensional Drawings

HBUD3-SW3B300S-DDGSY



HBUD3-PR150 (For HBUD3-SW3B150S-DDGSY)



HBUD3-PR (For HBUD3-SW3B240/300S-DDGSY)

