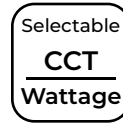


RLGR Series

Low-glare Recessed LED Downlight Specifications

Project _____

Date _____ Type _____



Available Models¹

- RLGR6-SW5A-SP20W

Part Number Breakdown

Example: RLGR6-SW5A-SP20W

Series	Can Size	Selectable CCT	Selectable Wattage
RLGR [Recessed Low-Glare Downlight, Round]	6 [6in.]	SW5A [2700K, 3000K, 3500K, 4000K, or 5000K]	20W [10, 15, or 20 Watts]

Overview

The 6" LED Recessed Downlight features a deep-set reflector that reduces glare and blocks direct view of the light source, providing focused, low-glare output. An independent junction box with fixture quick-connect and pigtail wire input connection simplifies installation and protects electrical connections. Spring clips enable direct installation into drywall and drop ceilings with a cutout diameter of 5.5 inches, and a separate junction box streamlines wiring. Use the switches to adjust color temperature (2700K, 3000K, 3500K, 4000K, or 5000K) and wattage (10W, 15W, 20W), allowing customization without replacing the fixture. It installs directly into the ceiling without a recessed can and is IC-rated for contact with insulation. The 6" size offers a clean, discreet appearance suitable for residential and commercial spaces.

Features

- Recessed reflector design reduces glare and eye strain
- Selectable wattage: 10W, 15W, 20W
- Selectable CCT: 2700K, 3000K, 3500K, 4000K, 5000K
- 90+ High CRI for accurate color rendering
- TRIAC Dimmable

Product Details

- White die-cast aluminum housing
- Steel junction box
- Suitable for damp locations
- 120-277 VAC
- IC-Rated

Certifications and Compliances

- ETL Listed - UL 1598

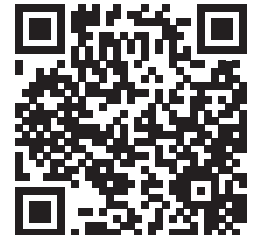


Applications

- Basements
- Bathrooms
- Closets
- Hallways
- Hospitality
- Kitchens
- Living Rooms
- Offices
- Retail Applications

Warranty

- 5-year warranty



¹ Contact customer service for additional options.

RLGR Series

Low-glare Recessed LED Downlight Specifications

SPECIFICATIONS	
Model	RLGR6-SW5A-SP20W
PHOTOMETRIC	
Lumens	750 Lumens, 1200 Lumens, 1540 Lumens
CCT	Selectable CCT (2700K, 3000K, 3500K, 4000K, or 5000K)
Beam Angle	36°
Efficacy	80 lm/W
CRI	90+
ELECTRICAL	
Operating Voltage	120-277 VAC
Wattage	10 Watts, 15 Watts, 20 Watts
Current Draw	90/135/180mA @ 120 VAC
Power Factor	>0.9
Dimmer Type	TRIAC
MECHANICAL	
LED Type	COB
Rated Life (L70)	36000 hours
Finish	White
Product Materials	Aluminum Housing, Steel Junction Box
ENVIRONMENTAL	
IC Rated	Yes
Environmental Rating	Suitable For Damp Locations
Ambient Operating Temperature	-20 to 40°C (-4 to 104°F)

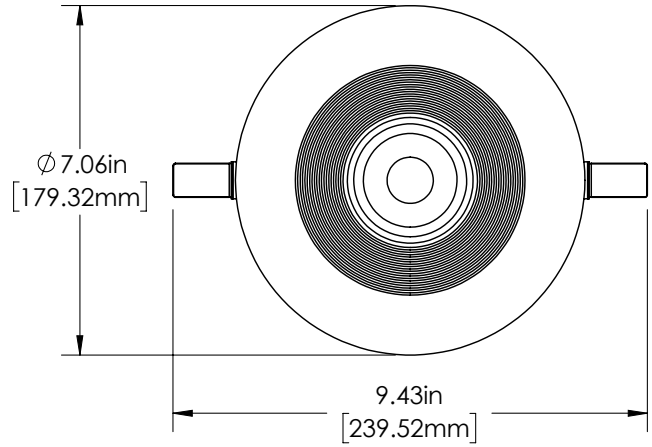
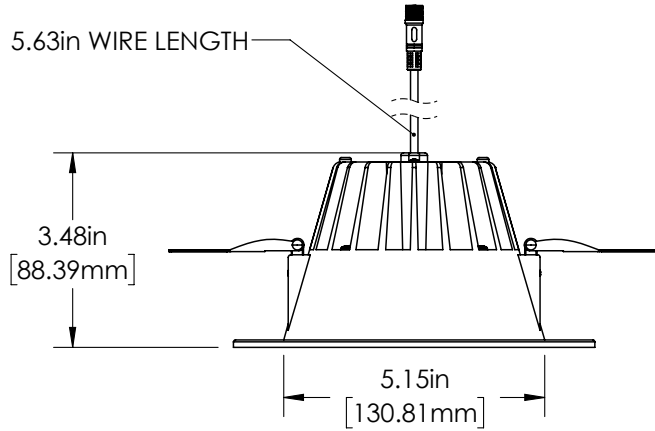


RLGR Series

Low-glare Recessed LED Downlight Specifications

Dimensional Drawings

Light Fixture



Driver Box

