

Important: Read all instructions prior to installation.

Bluetooth RGB Controller

Specifications

Model	CBT-RGB10
Operating Voltage Range*	5–24 VDC
Maximum Output Current	30 A (10 A per channel)
Operating Temperature	-4–176° F (-20–85° C)
IP Rating	IP25
Maximum Remote Range	65 ft (20 m)

*Note: Output voltage will be equal to input voltage.

Safety and Notes

- Product should be installed in accordance with applicable national, state, and local building and electrical codes.
- To reduce the risk of electric shock, ensure that the main power source and/or circuit breakers are switched off before performing any installation or wiring procedures.
- Ensure all mounts are securely attached. Failure to properly secure controller may result in damage or injury, for which the manufacturer does not assume responsibility.

Downloading the App

Search for the “Happy Lighting” app in Apple App Store or Google Play Store on compatible device equipped with Bluetooth 4.0 or above. QR code links to app download page.



Installation Instructions

1. Secure the controller in a secure, dry location using screws or double-sided foam tape (hardware not included).
2. Connect supply wiring and wiring to RGB light.
3. Apply supply power.
4. Open app on Bluetooth equipped device and confirm successful pairing. Menu button on the top left will show controller under my devices if properly paired. If needed, reset app and switch Bluetooth off and back on to reset connection.

Note: Only one device can be connected to the controller at any time.



App Functions

Master power button at the top will turn controller output off.

The settings tab in the top right contains the app’s user guide and allows background image to be changed. It also allows “shake” function to be enabled, which changes color or mode (depending on screen displayed) to another random color or mode when device is shaken.

Color Adjustment (Adjust) screen allows selection of color using a color wheel. It also features a brightness adjustment, some preset color options, and the ability to select a photo and match a specific color in the photo.

Music Mode (Music) screen allows light(s) connected to the controller to change with music played on the device, through the app.

Note: Most downloaded songs from apps like Apple Music will show up, but due to licensing rights and app settings, all songs may not be available.

Voice Control (Tape) screen is not compatible with this device.

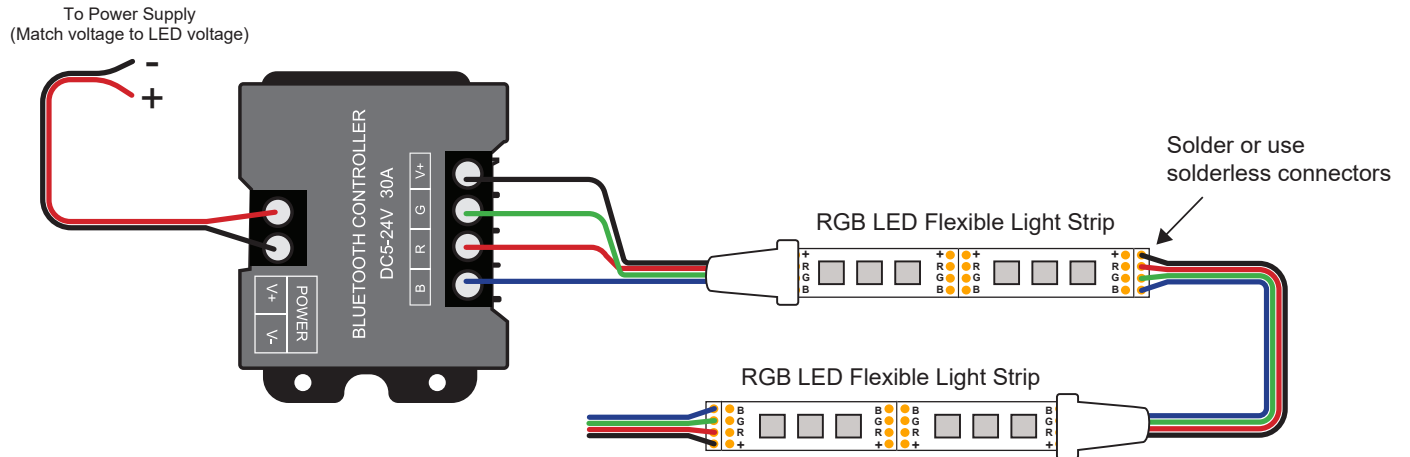
Mode Selection (Style) screen selects one of twenty preset modes made of specific color(s) and patterns, e.g. pulsating and strobing, as well as allowing speed adjustment of selected mode.

Timed Operation (Timing) screen has settings for time of day and day of week to program preset times to turn the controller on and off. This function does require a paired device to be present and on for controller to respond. Up to six presets can be programmed at one time and each preset can either turn the controller output off or on. When powering on, the mode or static color the controller was last set to will be used.

Important: Read all instructions prior to installation.

Bluetooth RGB Controller

Wiring Diagram



Optional Remote Pairing

In order to pair the remote, power off the controller and then power it back on. Immediately after powering the controller on, hold the 'R' and 'B' buttons on the remote.

