



BLBW-AMB24S-RL-42



Available Models¹

Round Louvered

- BLBW-AMB24S-RL-42
- BLBW-AMB24S-RL-42(black)

Part Number Breakdown

Example: BLBW-AMB24S-RL-42(black)

Family	Color Temperature	Wattage	Body	Reflector	Size	Finish
BLBW	AMB [amber, 600-610 nm]	24S [Selectable, 14 W / 19W / 24W]	R [round]	L [louvered]	42 [-42 in. height]	blank [bronze]
						(black) [black]

Description

BLBW-AMB round amber LED bollards are designed to bring wildlife-friendly amber light to commercial locations in coastal regions. A diffused louvered reflector projects downward light for ideal spacing, reduced glare and minimal up-light. The die-cast aluminum housing is powder-coated to withstand outdoor conditions and the sealed polycarbonate lens prevents condensation and fogging. Integrated LEDs offer better efficacy and reliability than traditional metal-halides and eliminate the hassle of replacing bulbs and ballasts.

Electrical

- 120-277 VAC input
- 4 kV surge protection
- Wire via included weatherproof terminal block
- 30,000 hour rated (L70) LED lifetime

Mechanical

- Housing attaches to cast aluminum base plate and top hat assembly
- Durable and corrosion resistant powder coat finish
- Sealed polycarbonate lens to prevent condensation
- IK10 impact resistance rating
- Installation kit sold separately

Photometrics

- UV-resistant polycarbonate lens provides optimal light transmission and environmental protection
- Louvered matte aluminum reflector
- Amber LEDs (600-610 nm)

Applications

Easily replace existing metal-halide, high-pressure sodium, and fluorescent bollards in coastal areas. Use these lights for building entryways and perimeters, parks, and any general path lighting in locations where amber LED lighting can help preserve the natural behavior of indigenous wildlife in their habitat. For new construction, use an installation kit.

Warranty

- Five (5) years

Certifications and Compliances

- Certified by UL - UL 1598

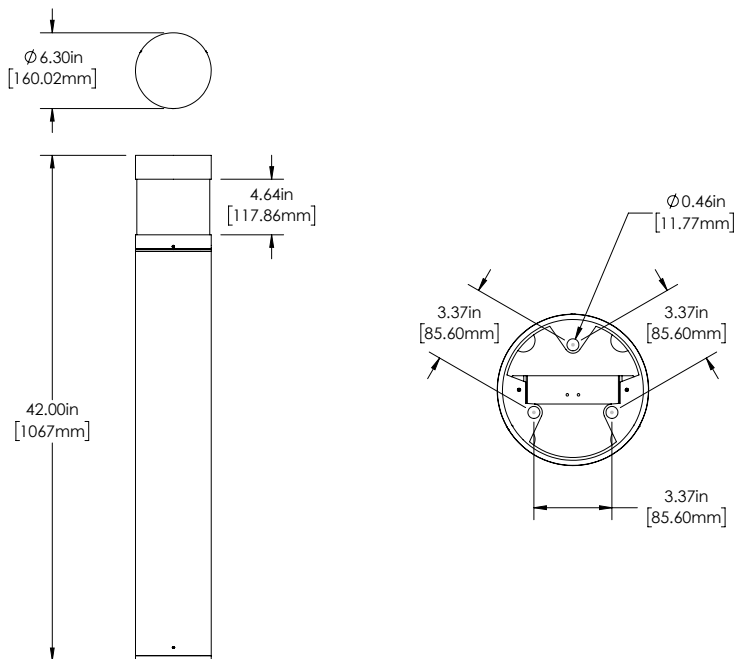


¹Contact customer service if interested in options other than those listed.

BLBW Series

Integrated LED Bollard Specifications

Dimensional Drawing



Optional Accessories

- Installation Kit [BLRB-BKT]



- Black Glare Shield [BLBW-180S(black)]
- Bronze Glare Shield [BLBW-180S]

Specifications

BLBW Model	AMB24S-RL-42	AMB24S-RL-42(black)
Finish	Bronze	Black
Lumens	240 / 320 / 408 lm	
Efficacy	17 lm/W	
Power Consumption	Selectable (14 W / 19 W / 24 W)	
Power Factor	≥0.9	
Operating Voltage	120-277 VAC	
Current Draw	120 VAC	125 / 175 / 220 mA
	277 VAC	55 / 75 / 95 mA
Color Temperature	Amber (600-610 nm)	
Beam Angle	360° x 100°	
Surge Protection	4 kV	
Environmental Rating	IP65	
Rated Lifetime (L70)	30,000 hours	
Ambient Operating Temperature	-40°-113° F (-40°-45° C)	

