



LSM-RGB3X3



Description

LED light modules provide consistent illumination for channel letters, sign lighting, under-cabinet lighting, store window lighting, display case lighting, and trade show lighting. Each IP67 waterproof LED module has 3 LEDs and are available in packs of 25 or 100 stranded together upon purchase. LEDs emit a wide 120° beam pattern best suited for illuminating up to 9" wide channel letters that are as shallow as 3". Double-sided 3M adhesive foam tape is included for secure mounting. Narrow PVC modules are injection molded with two screw holes for mounting in extreme cold or heat.

Mechanical

- IP67 waterproof PVC modules
- Wire pigtail connections
- Rated Life (L70) of 40,000 Hours

Electrical

- 12 VDC

Photometrics

- 120° beam angle
- 57 lm/module (4900K cool white)
or
- 22 lm/module (RGB)
- Compatible RGB controller sold separately

Available Models¹

Cool White

- LSM-CW3X3-25PK
- LSM-CW3X3-100PK

RGB

- LSM-RGB3X3-25PK
- LSM-RGB3X3-100PK

Part Number Breakdown

Example: LSM-RGB3X3-25PK

Series	Color	LEDs	Pack
LSM	CW [Cool White]	3X3 [Three 5050 SMD LEDs]	25PK [25-pack]
	RGB [RGB]		100PK [100-pack]

Application

These linear LED modules are well suited for accent lighting, backlighting, channel letters, displays, home interiors, retrofit lighting, sign lighting, stage & theaters, and under-cabinet lighting.

Certifications and Compliances

These lights are UL Recognized under UL 879 standards. They are tested and verified as safe to use in a UL-Listed product. Cool white modules are also ISA Approved.



Warranty

Five (5) Years



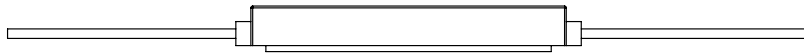
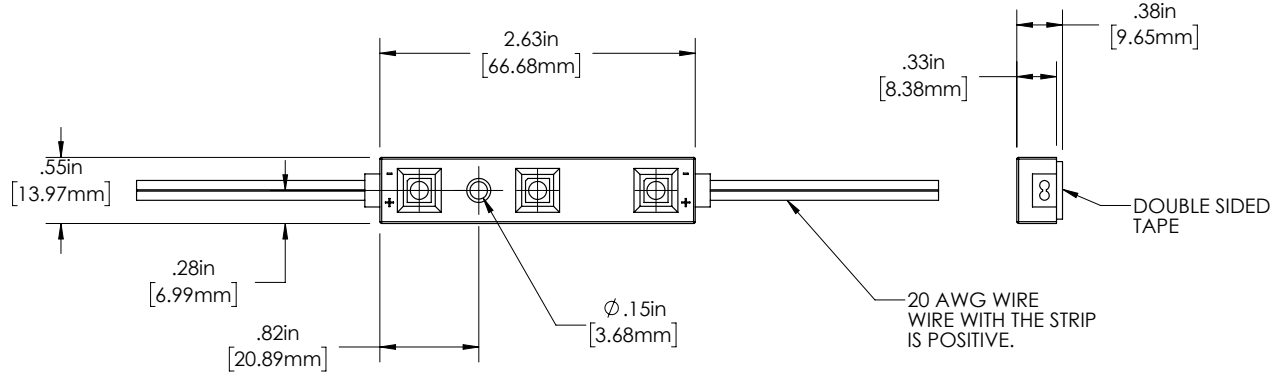
¹Contact customer service if interested in options other than those listed.

LSM Series

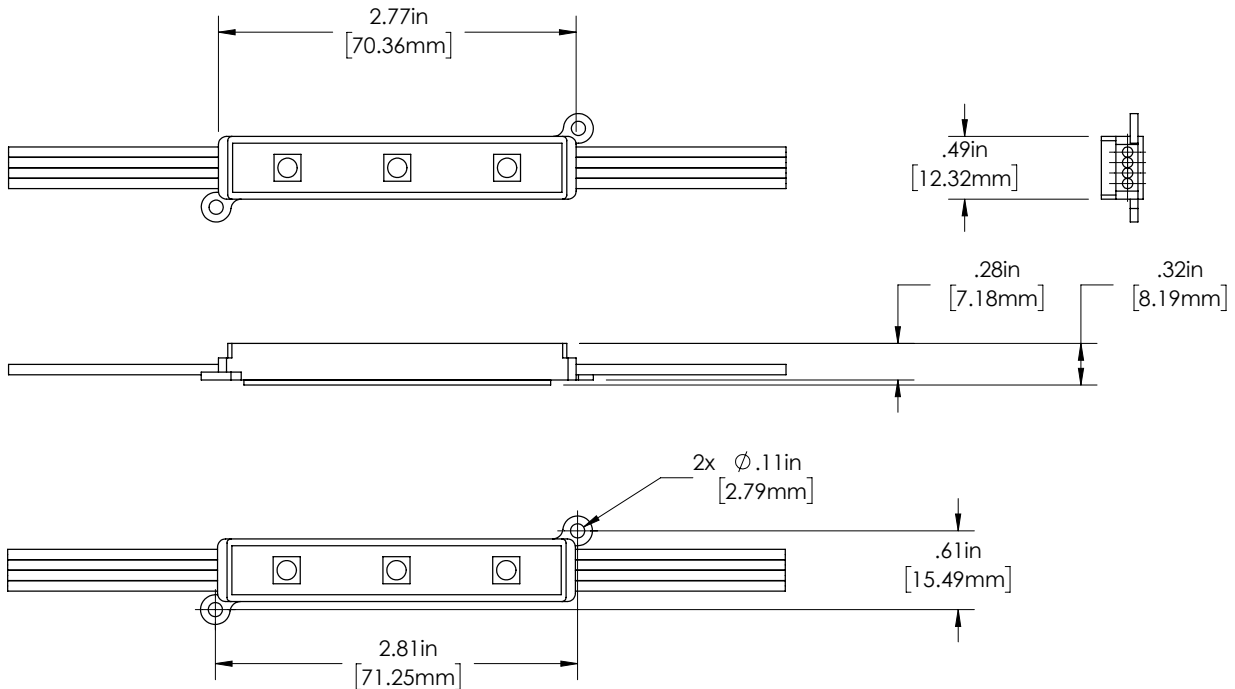
Linear RGB LED Modules Specifications

Dimensional Drawing

LSM-CW3X3-x



LSM-RGB3X3-x



LSM Series

Linear RGB LED Modules Specifications

Specifications

Model LSM-	CW3X3-25PK	RGB3X3-25PK	RGB3X3-100PK	CW3X3-25PK
Color/CCT	4900K	RGB	4900K	RGB
Operating Voltage	12 VDC			
Current Draw	1.5 A		6 A	
Brightness	57 lm/module	22 lm/module	57 lm/module	22 lm/module
Dimming	PWM			
Max Run	25 modules			
LED Type	5050 SMD			
Beam Angle	120°			
Environmental Rating	IP67 waterproof, suitable for wet locations			
Rated Life (L70)	40,000 hours			
Ambient Operating Temperature	-13-140 °F (-25-60 °C)			

