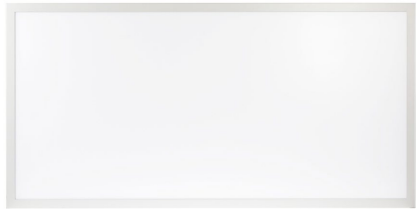


LPD Series

Selectable LED Panel Light Specifications

Project _____

Date _____ Type _____



LPD-24-SW3C-SP3B



Features

- Selectable CCT and wattage create more versatility for all types of installations
- Replace nine different SKUs with one for simpler inventory management.
- 120-277 VAC
- 0-10 V dimmable
- L70 rated 50,000 hour lifetime

Construction

These are manufactured with Even-Glow® technology which creates a uniform distribution of light, diffusing over the whole lens to eliminate visible bulbs and hotspots. The aluminum frame is durable as well as aesthetically pleasing.

Application

Comparable panel sizes easily replace traditional 2' x 2', and 2' x 4' fluorescent fixtures in drop ceiling applications. Optional surface mount and suspension kits are also available for other installation types.

Warranty

Five (5) Year Warranty

Certifications and Compliances

These lights are ETL Listed in compliance with UL 1598 (IFAM) and are listed as DLC standard.



Available Configurations¹

- LPD-22-SW3C-SP3A
- LPD-24-SW3C-SP3B

Part Number Breakdown

Example: LPD-22-SW3C-SP3A

Series	Panel Size	CCT	Wattage
LPD [white trimmed panel]	22 [2'x2']	SW3C [selectable 3500K / 4000K / 5000K]	SP3A [selectable 25 W / 30 W / 40 W]
	24 [2'x4']		SP3B [selectable 30 W / 35 W / 45 W]

Optional Accessories

Dimmers

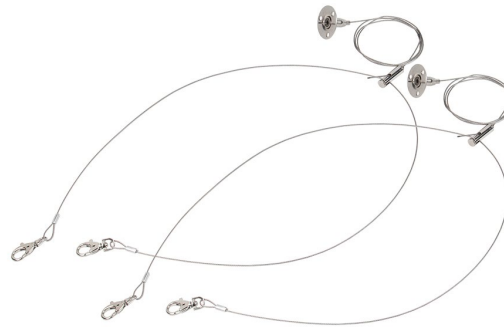
- 0-10 V switch/slide wall dimmer (DMD-LED3-105-x)
- 0-10 V rotary wall dimmer (A019)
- 0-10 V slide wall dimmer (F019-W)

Surface Mount Kit

- 2' x 2' surface mount kit (LP-22-SMK)
- 2' x 4' surface mount kit (LP-24-SMK)

Suspension/Hanging Kit

- Single panel hanging kit (LP-HK)



Notes

¹Contact customer service if interested in options other than those listed.



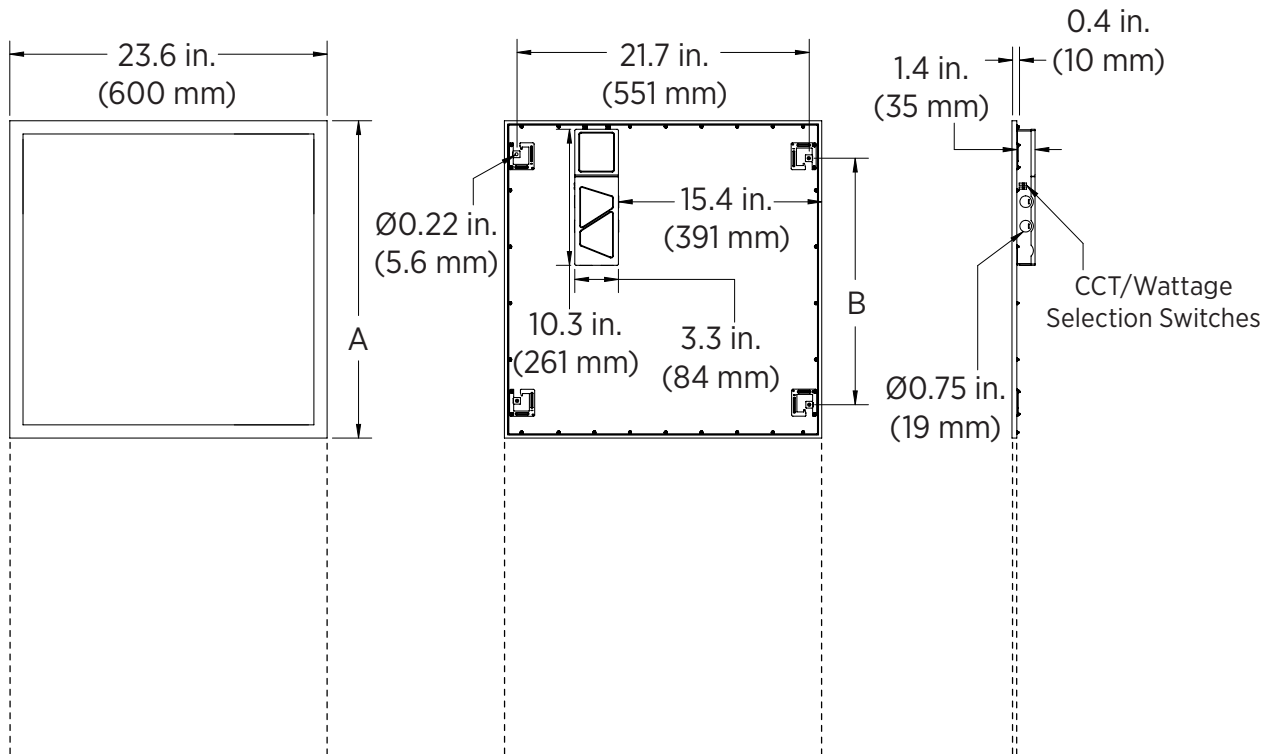
LPD Series

Selectable LED Panel Light Specifications

Specifications

Model	LPD-22-SW3C-SP3A	LPD-24-SW3C-SP3B
Intensity	Selectable (2,875 / 3,450 / 4,600)	Selectable (3,450 / 4,025 / 5,175)
Operating Voltage	120-277 VAC	
Power Consumption	Selectable (25 W / 30 W / 40 W)	Selectable (30 W / 35 W / 45 W)
Current Draw @120 VAC	Selectable (208 mA / 250 mA / 333 mA)	Selectable (250 mA / 292 mA / 375 mA)
Efficacy	115 lm/W	
Color Temperature(s)	Selectable (3500K / 4000K / 5000K)	
Beam Angle	110°	
CRI	80+	
Dimming	0-10 V	
IP Rating	IP20	
Ambient Operating Temperature	-4°-104° F (-20°-40° C)	
Rated Life (L70)	50,000 hours	

Dimensional Drawing



Model	A	B
LPD-22-SW3C-SP3A	23.6 in. (600 mm)	19.1 in. (486 mm)
LPD-24-SW3C-SP3B	47.6 in. (1.21 m)	28 in. (711 mm)

