



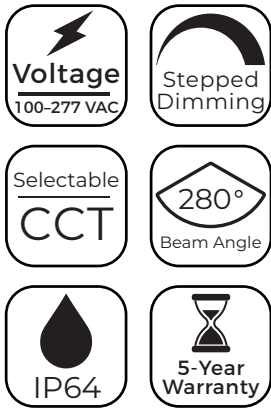
CLCCT-SW3B120-SBC-EX39

Available Models¹

- CLCCT-SW3B27-SBC-EX39
- CLCCT-SW3B36-SBC-EX39
- CLCCT-SW3B45-SBC-EX39
- CLCCT-SW3B54-SBC-EX39
- CLCCT-SW3B63-SBC-EX39
- CLCCT-SW3B80-SBC-EX39
- CLCCT-SW3B100-SBC-EX39
- CLCCT-SW3B120-SBC-EX39

Part Number Breakdown

Example: CLCCT-SW3B100-SBC-EX39



Family	CCT	Wattage	Dimming	Chip Manufacturer	Lens	Base Type
CLCCT	SW3B [selectable CCT]	27 [27 W] 36 [36 W] 45 [45 W] 54 [54 W] 63 [63 W] 80 [80 W] 100 [100 W] 120 [120 W]	S [stepped]	B [Lumileds]	C [clear]	EX39 [EX39 base]

Description

These LED corn bulbs are an energy efficient and low maintenance replacement to metal halide / incandescent bulbs. The standard EX39 mogul screw base can be used in new construction or retrofit applications. Integrated aluminum heatsinks provide thermal dissipation and ensure the bulb can be used in fully enclosed fixtures.

Mechanical

- Aluminum housing and polycarbonate lens
- IP64 rated
- -40°-122° F (-40°-50° C) operating temperature
- Enclosure rated

Electrical

- 100-277 VAC input
- Integrated surge protection
- ≥0.9 power factor
- 50,000 hour LED lifetime
- Stepped dimming via knob on bulb

Photometrics

- Selectable CCT (3000K / 4000K / 5000K)
- 280° beam angle²
- 80+ CRI

Certifications and Compliances

These are UL Listed under file E477606 in compliance with UL 1993 (OOLV) and UL Classified under file E348221 in compliance with UL 1598C (IFAR). These are also DLC 5.1 Standard listed.



Warranty

5-year warranty

Ballast Compatibility

Ballast bypass is required for these bulbs.

Application

These easily replace inefficient metal-halide bulbs found in fixtures commonly used for high bay lights, bollards, wall packs, parking lot lights, and other commercial and industrial applications.

¹Contact customer service for more information on availability.

²Value is for bare bulb and will vary depending on fixture.



CLCCT Series

LED Corn Bulb Specifications

Specifications

Model CLCCT-	SW3B27-SBC-EX39	SW3B36-SBC-EX39	SW3B45-SBC-EX39	SW3B54-SBC-EX39
Intensity ³ (full wattage, varies by CCT)	2,970/3,375/3,375 lm	4,320/4,680/4,680 lm	5,625/6,300/6,300 lm	6,480/7,290/7,290 lm
Operating Voltage	100-277 VAC			
Power Consumption	27 W	36 W	45 W	54 W
Current Draw (full wattage)	225 mA @ 120 VAC 97 mA @ 277 VAC	300 mA @ 120 VAC 130 mA @ 277 VAC	375 mA @ 120 VAC 162 mA @ 277 VAC	450 mA @ 120 VAC 195 mA @ 277 VAC
Efficacy ³	up to 125 lm/W	up to 130 lm/W	up to 140 lm/W	up to 135 lm/W
Color Temperature	selectable (3000K / 4000K / 5000K)			
Beam Angle	280° ²			
CRI	80+			
Dimming	stepped (via switch on bulb)			
IP Rating	IP64			
Ambient Operating Temperature	-40°-122° F (-40°-50° C)			
Rated Life (L70)	50,000 hours			

Model CLCCT-	SW3B63-SBC-EX39	SW3B80-SBC-EX39	SW3B100-SBC-EX39	SW3B120-SBC-EX39
Intensity ³ (full wattage, varies by CCT)	7,560/8,505/8,505 lm	10,400/11,200/11,200 lm	12,500/13,500/13,500 lm	15,000/16,200/16,200 lm
Operating Voltage	100-277 VAC			
Power Consumption	63 W	80 W	100 W	120 W
Current Draw	525 mA @ 120 VAC 227 mA @ 277 VAC	667 mA @ 120 VAC 289 mA @ 277 VAC	833 mA @ 120 VAC 361 mA @ 277 VAC	1 A @ 120 VAC 433 mA @ 277 VAC
Efficacy ³	up to 135 lm/W	up to 140 lm/W	up to 135 lm/W	up to 135 lm/W
Color Temperature	selectable (3000K / 4000K / 5000K)			
Beam Angle	280° ²			
CRI	80+			
Dimming	stepped (via switch on bulb)			
IP Rating	IP64			
Ambient Operating Temperature	-40°-122° F (-40°-50° C)			
Rated Life (L70)	50,000 hours			

²Value is for bare bulb and will vary depending on fixture.

³Expected value while mounted in fixture, may vary by fixture.

T 866.811.5550

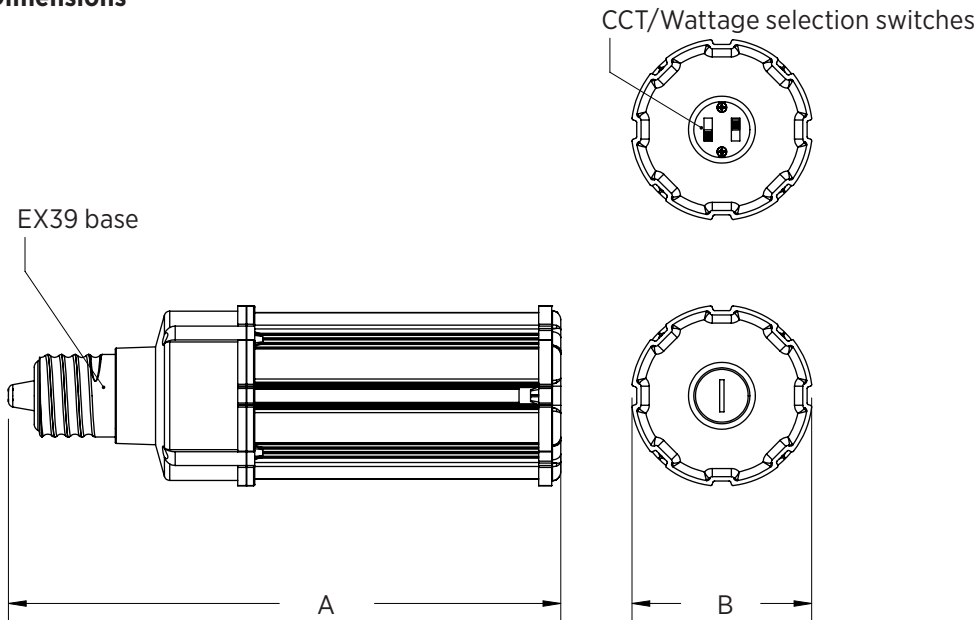
F 314.972.6202

email: commercial-sales@superbrightleds.com

<http://www.superbrightleds.com/cat/industrial-led-lighting/>



Dimensions



Model CLCCT-	SW3B27-SBC-EX39	SW3B36-SBC-EX39	SW3B45-SBC-EX39	SW3B54-SBC-EX39
A	7.4 in. (189 mm)	8.4 in. (214 mm)	10 in. (253 mm)	10 in. (253 mm)
B	2.4 in. (60 mm)	3.3 in. (85 mm)	3.3 in. (85 mm)	3.3 in. (85 mm)

Model CLCCT-	SW3B63-SBC-EX39	SW3B80-SBC-EX39	SW3B100-SBC-EX39	SW3B120-SBC-EX39
A	10.2 in. (260 mm)	10 in. (253 mm)	10.4 in. (265 mm)	11.3 in. (286 mm)
B	3.3 in. (85 mm)	5.1 in. (130 mm)	5.1 in. (130 mm)	5.1 in. (130 mm)

Wiring Diagram

