

Important: Read all instructions prior to installation.

Rotatable LED Wall Pack



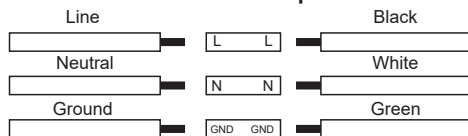
WPR2-50K120-FST1-BRP

Safety and Notes

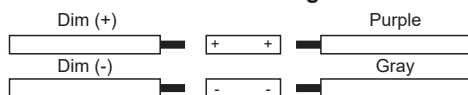
- Product should be installed and serviced by a certified electrician in accordance with applicable national, state, and local building and electrical codes.
- To reduce the risk of electric shock, ensure that the main power source and circuit breakers are switched off before performing any installation or wiring procedures.
- Avoid looking directly into lamp when illuminated.
- Ensure all mounts are securely attached and will support the weight of the fixture. Failure to properly support fixture may result in damage or injury, for which the manufacturer does not assume responsibility.
- Photocell sensor on 25 W and 40 W models can be disabled by unplugging it and capping the connector that was attached to the sensor. 60 W, 80 W, and 120 W models will require rewiring to bypass the sensor in order to disable it.

Wiring Diagram

120–277 VAC Input



0–10 V Dimming

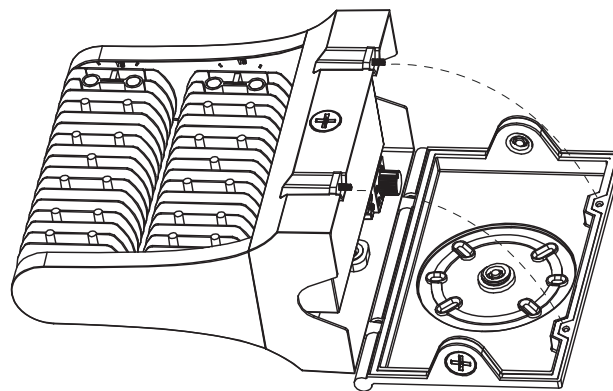
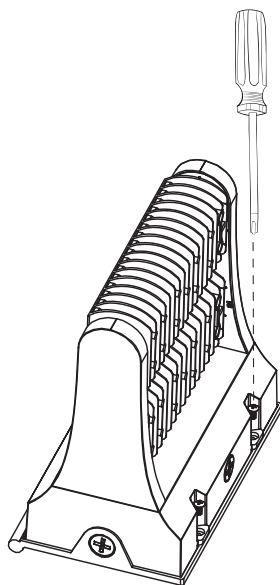


Specifications

Model	WPRx-x-ST1-BRP
Operating Temperature	-4°–113° F (-20°–45° C)
IP Rating	IP65
Dimming	0–10 V

Check product label for specific electrical specifications related to installation. Improper installation will void warranty.

Opening Fixture

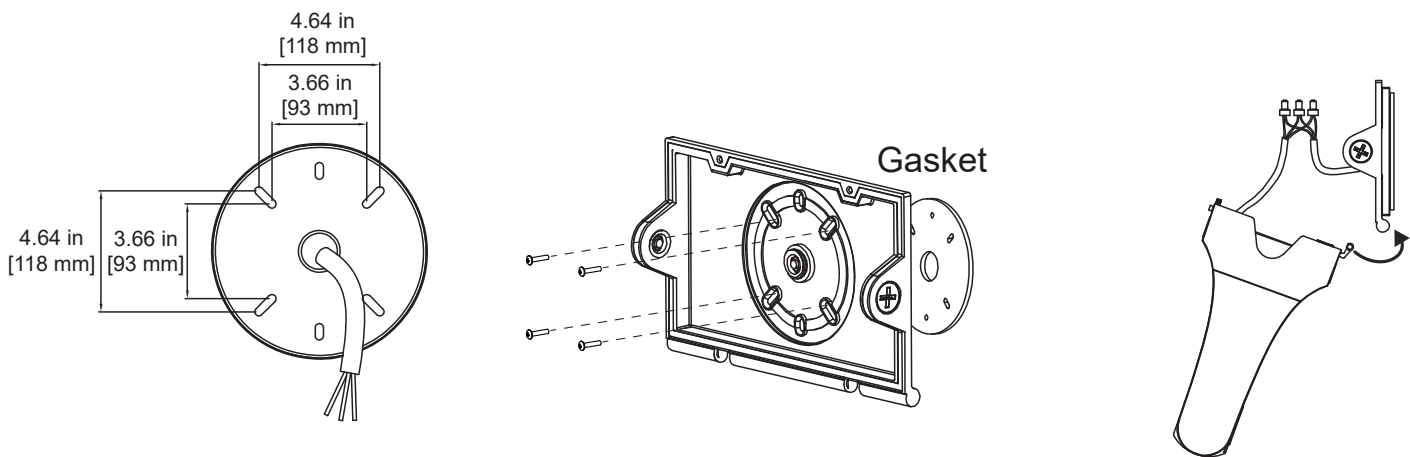


Important: Read all instructions prior to installation.

Rotatable LED Wall Pack

Installation

1. Remove screws and swing front housing to separate it from the rear housing.
2. Drill holes in rear housing for mounting. For junction box wiring, remove rear pipe plug and for conduit mounting remove one of the side pipe plugs.
3. Measure and create mounting holes on wall if needed.
4. Apply gasket and mount rear housing.
5. On field-selectable CCT models, select desired CCT using switch.
6. With supply power off, connect wiring.
7. Mount front housing to rear.



CCT Adjustment

Field-selectable CCT can be set using the internal switch as shown. Make certain supply power is off when performing this procedure.

