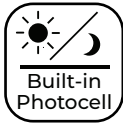
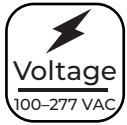




MASL-40K20W-FBR1



Available Models¹

2-head configuration

- MASL-40K20W-FBR1
- MASL-40K20W-FWH1

3-head configuration

- MASL-40K30W-FBR1
- MASL-40K30W-FWH1

Part Number Breakdown

Example: MASL-40K20W-FBR1

Series	CCT	Wattage	Lens	Finish
MASL [Motion Activated Security Light]	40K [4000K]	20W [20 W]	F [frosted]	BR1 [brown] or WH1 [white]
		30W [30 W]		

Overview

With many adjustable features, the MASL series Motion Sensor Light provides versatile illumination for residential exteriors and perimeter protection. The sensor turns the light on when motion is detected within a wide 120-degree angle, between 3 and 30 feet. Time setting adjusts ON time up to 10 minutes. The Lux setting turns the fixture on when the ambient light reaches the desired level. Or, bypass the sensor during installation to allow normal on/off flood light operation from a wall switch. Sealed against moisture, dirt, and insects, integrated LEDs withstand outdoor elements while requiring less energy and maintenance than equivalent PAR lamps. Wall or eave mount the lightweight fixture and rotate the three heads for desired light coverage on driveways, yards, patios, and more.

Features

- Lux setting - automates operation based on ambient light
- Adjustable light heads for large area coverage
- Adjustable detection range from 3'-30'
- Adjustable ON time up to 10 minutes

Warranty

- 5-year warranty

Product Details

- Includes mounting hardware
- Bypass sensor for wall switch control
- Wall or eave mount
- 10 watts per head
- 100-277 VAC
- 50000 hours L70 lifespan
- IP65 waterproof

Applications

- Driveways
- Exterior Walls
- Outdoor Entrances
- Pathways
- Perimeters
- Porches and Awnings
- Security Lighting
- Yards

Certifications and Compliances

- ETL Listed - UL 1598



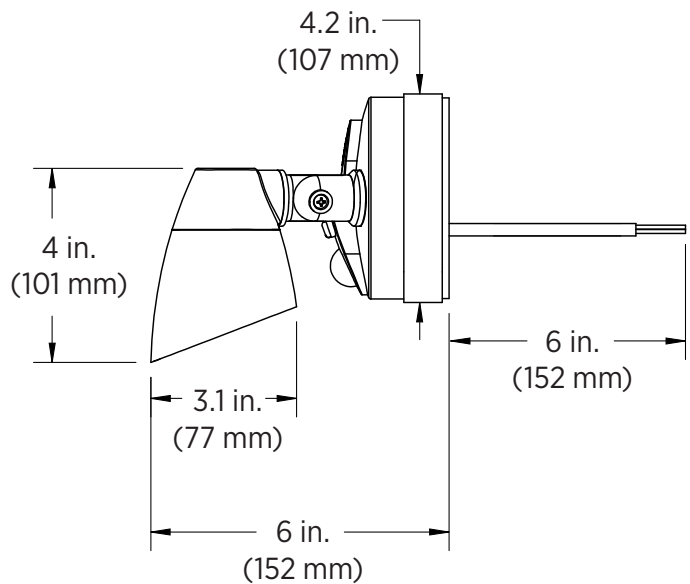
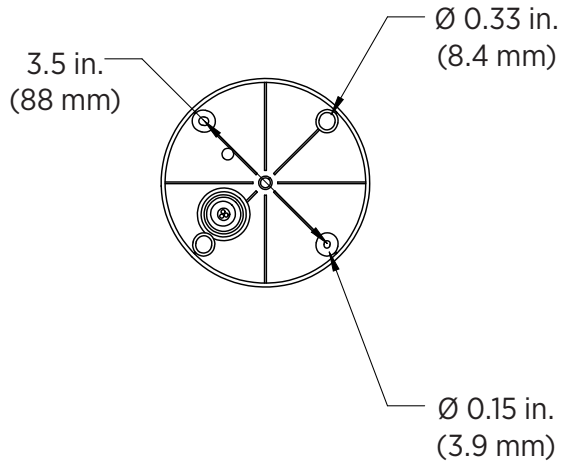
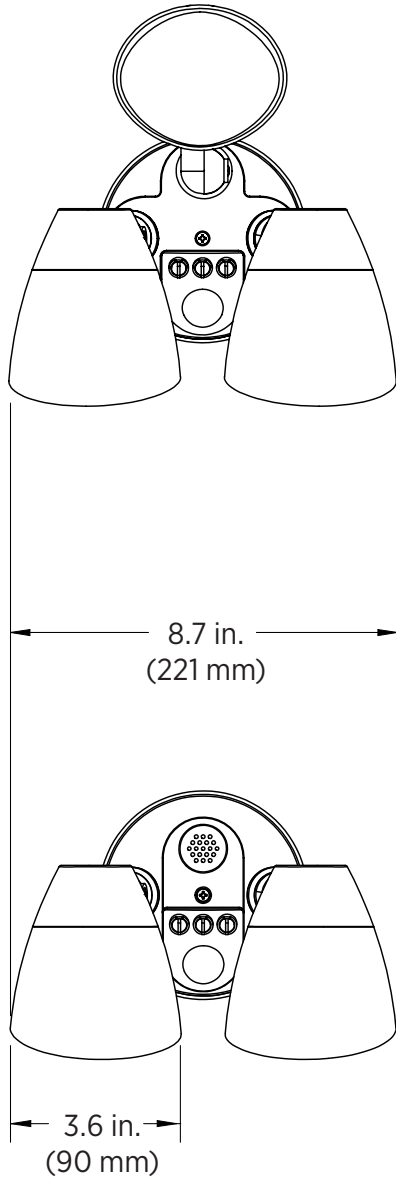
¹Contact customer service if interested in other options.

MASL Series

LED Security Light Specifications

Dimensional Drawing

Light heads are adjustable, so depending on angle, overall dimensions of depth, width, and height will vary.



2-head light is shown below, but all measurements shown are identical to those on the 3-head model



MASL Series

LED Security Light Specifications

Specifications

Model MASL-	40K20W-Fx1	40K30W-Fx1
Lumens	1800 lumens	2700 lumens
Wattage	20 watts	30 watts
Current Draw ¹	167 mA	250 mA
Efficacy	≥90 lm/W	
Operating Voltage	100-277 VAC	
CCT	4000K	
Beam Angle	100° per head	
CRI	80+	
Dimmable	No	
IP Rating	IP65	
Environmental Rating	Suitable for Wet Locations, Waterproof	
Rated Life (L70)	50000 hours	
Ambient Operating Temperature	-20-40 °C (-4-104 °F)	
Product Weight	1.1 lb (0.5 kg)	1.3 lb (0.6 kg)

¹Current draw at 120 VAC

Adjustable Settings

Setting Name	Setting Value
Sens	adjusts sensor detection range from 3.3 ft (1 m) to 26.2 ft (8 m)
Time	adjusts standby time from 2 seconds to 10 minutes
Lux	adjusts the ambient light threshold to turn on the light from 300 lx to 10 lx

