

BLBW Series

Integrated LED Bollard Specifications

Project _____

Date _____ Type _____



BLBW-SW3B24S-R-42



Available Models¹

Round Style

- BLBW-SW3B24S-R-42
- BLBW-SW3B24S-R-42(black)

Round Louvered

- BLBW-SW3B24S-RL-42(black)

Dome Style

- BLBW-SW3B24S-D-42
- BLBW-SW3B24S-D-42(black)

Dome Louvered

- BLBW-SW3B24S-DL-42
- BLBW-SW3B24S-DL-42(black)

Square Style

- BLBW-SW3B24S-S-42
- BLBW-SW3B24S-S-42(black)

Part Number Breakdown

Example: BLBW-SW3B24S-RL-42 (black)

Series	Selectable CCT	Selectable Wattage	Body	Reflector	Height	Finish
BLBW [Bollard Light]	SW3B [3000K, 4000K, 5000K]	24S [14W, 19W, 24W]	R [round]	blank [cone]	42 [-42 in.]	blank [bronze]
			S [square]	L [louvered]		(black) [black]
			D [dome]			

Description

The integrated LED bollard outdoor light fixture has a corrosion-resistant aluminum housing, a durable powder coat finish, and a polycarbonate lens. Integrated LEDs eliminate the need to replace bulbs and ballasts found in traditional metal-halide bollards. It has field-selectable wattage and CCT options, allowing full customization of your lighting setup. Install with the optional new pour installation kit or using existing bollard hardware. Bollard lighting ensures the safety of pathways, entryways, and other areas where pedestrian visibility is needed.

Features

- Field-selectable CCT: 3000K, 4000K, 5000K
- Field-selectable Wattage: 24W, 19W, 14W
- Optional new pour mounting kit

Product Details

- Powder-coated aluminum housing
- Polycarbonate lens and reflector
- Replaces up to 70W metal-halide bollards
- 120-277 VAC input

Certifications and Compliances

- Certified by UL
- DLC 5.1 Premium (cone reflector only)



Applications

- Area Lighting
- Commercial And Industrial Exterior
- Commercial Buildings
- Pedestrian Safety

Warranty

- 5-year warranty



¹ Contact customer service for additional options.

BLBW Series

Integrated LED Bollard Specifications

SPECIFICATIONS				
Model BLBW-		SW3B24S-R/D-42	SW3B24S-S-42	SW3B24S-R/DL-42
PHOTOMETRIC				
Reflector Type		Cone		Louvered
Lumens		1960, 2660, 3360		1050, 1425, 1800
Efficacy		140 lm/W		75 lm/W
Body Style		Round	Square	All Styles
Beam Angle	360° x	80°	70°	100°
Color Temperature		Selectable CCT (3000K, 4000K, 5000K)		
CRI		70+		
ELECTRICAL				
Input Voltage		120-277 VAC		
Wattage		Selectable (14W, 19W, 24W)		
Current Draw	120 VAC	120/160/200 mA		
	277 VAC	50/70/85 mA		
Power Factor		≥0.9		
Dimmer Type		0-10V		
Surge Protection		4kV		
MECHANICAL				
Connection Type		Terminal Block		
Materials		Aluminum Housing, Polycarbonate Lens		
Rated Lifetime (L70)		50000 hours		
ENVIRONMENTAL				
IP Rating		IP65		
Environmental Rating		Suitable for Wet Locations, Waterproof		
Ambient Operating Temperature		-40 to 45°C (-40 to 113°F)		

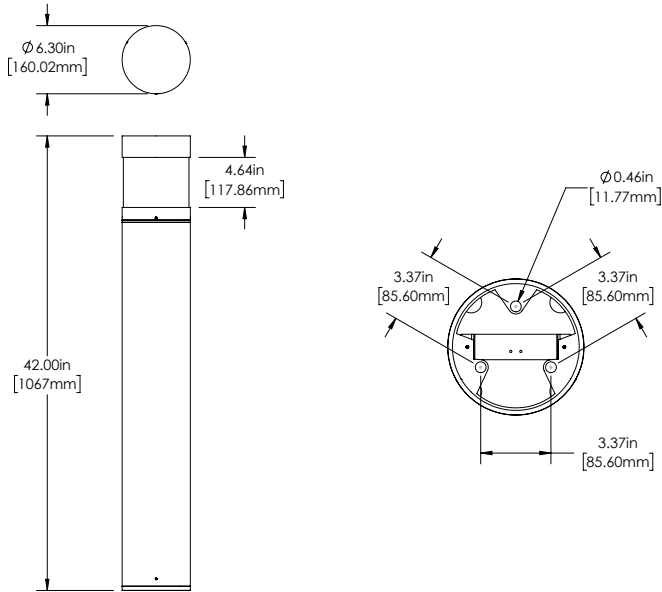


BLBW Series

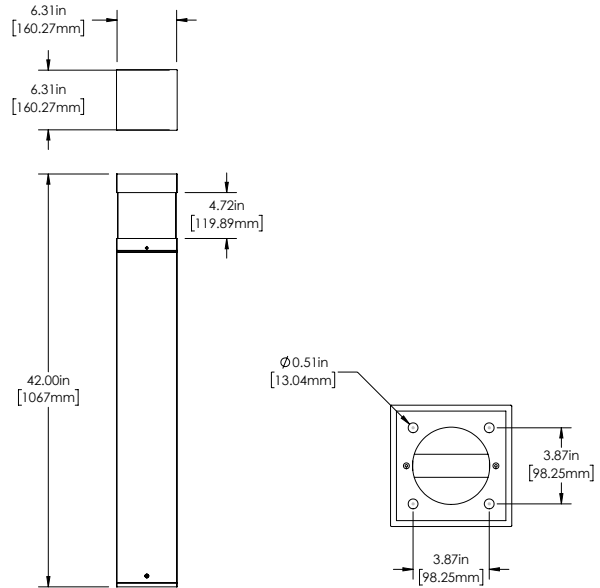
Integrated LED Bollard Specifications

Dimensional Drawings

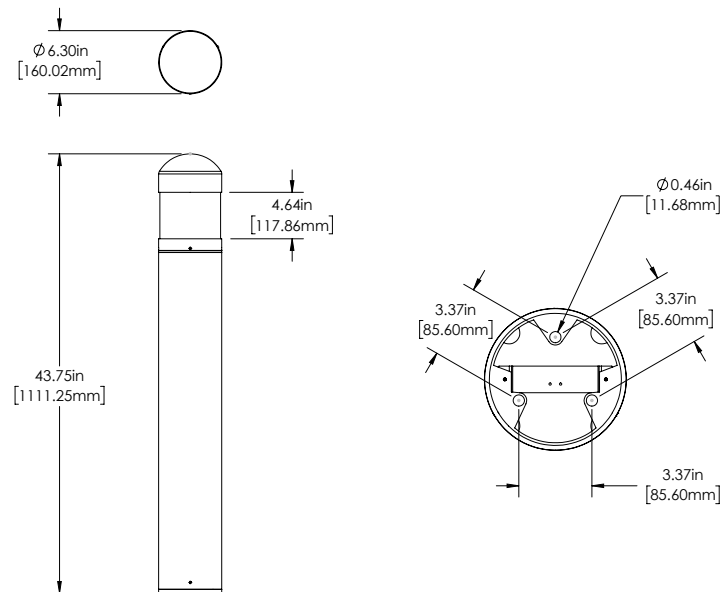
Round Style



Square Style



Dome Style



Optional Installation Kit

- BLRB-BKT
(for BLBW-SW3B24S-Rx/Dx-42 models)
- BLSB-BKT
(for BLBW-SW3B24S-S-42 models)

