

## FLCCT Series

LED Flood Light Specifications

Project \_\_\_\_\_

Date \_\_\_\_\_ Type \_\_\_\_\_



### Features

- 100–277 VAC (120–277 on 70 W and 90 W)
- Adjustable CCT for greater flexibility
- ≥ 115 lumens per watt at warmest CCT
- NEMA 7x6 (115° H x 85° V) beam pattern
- L70 rated 50,000 hour lifetime
- IP65 rated water resistance
- 1/2 in. trade size conduit plug on rear of 70 W and 90 W models

### Construction

Manufactured with a durable aluminum housing coated with a high durability brown (architectural bronze) finish.

### Application

Easily replaces inefficient metal-halide fixtures such as those used for lighting building facades and signs as well as those found in general landscape, security, and area lighting applications.

### Output Equivalencies

FLCCT-SW3515-SH8BRU	70 W metal-halide
FLCCT-SW3530-SH8BRU	100 W metal-halide
FLCCT-SW3550-SH8BRU	175 W metal-halide
FLCCT-SW3570-SH8BRU	200 W metal-halide
FLCCT-SW3590-SH8BRU	250 W metal-halide

### Certifications and Compliances

These lights are UL Listed in compliance with UL 1598 (IFAM).



T 866.811.5550

F 314.972.6202

email: commercial-sales@superbrightleds.com

www.superbrightleds.com/cat/industrial-led-lighting/

### Available Models<sup>1</sup>

- FLCCT-SW3515-SH8BRU     FLCCT-SW3570-SH8BRU  
 FLCCT-SW3530-SH8BRU     FLCCT-SW3590-SH8BRU  
 FLCCT-SW3550-SH8BRU

### Part Number Breakdown

Example: FLCCT-SW3530-SH8BRU

Family	Color Temperature	Wattage	Housing Color	Included Mount Type
FLCCT	SW35 [switchable] 3000K / 4000K / 5000K]	15 [15 W]	BR [brown]	U [yoke/u-bracket]
		30 [30 W]		
		50 [50 W]		
		70 [70 W]		
		90 [90 W]		

### Warranty

Five (5) Year Warranty

### Optional Mounts

#### Knuckle Mounts

- knuckle mount for 15 W / 30 W / 50 W (FLCCT-KM2)  
 knuckle mount for 70 W / 90 W (FLCCT-KM3)



#### Wall/Trunion Mounts

- wall/trunion mount for 15 W / 30 W / 50 W (FLCCT-WM2)  
 wall/trunion mount for 70 W / 90 W (FLCCT-WM3)



#### Pole/Post and Slip-fitter Combination Mounts<sup>2</sup>

- pole/post and slip-fitter mount for 70 W / 90 W (FLCCT-SFPM3)



<sup>1</sup>Contact customer service if interested in options other than those listed.

<sup>2</sup>Available on 70 W and 90 W versions only.

Rev V1 Date: 6/12/2020

Specifications are subject to change without notice.

Printed in the U.S.A.

## FLCCT Series

### LED Flood Light Specifications

#### Specifications

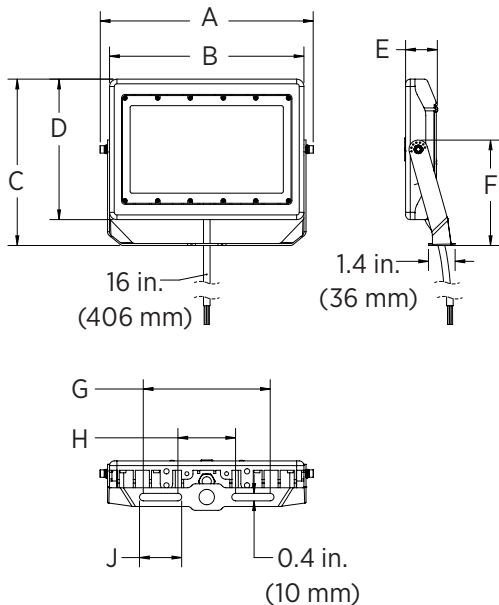
Model FLCCT-	SW3515-SH8BRU	SW3530-SH8BRU	SW3550-SH8BRU	SW3570-SH8BRU	SW3590-SH8BRU
Intensity	1,850-2,000 lm	3,500-3,800 lm	6,050-6,600 lm	8,500-9,400 lm	11,300-12,400 lm
Operating Voltage	100-277 VAC			120-277 VAC	
Power Consumption	15 W	30 W	50 W	70 W	90 W
Current Draw	125 mA @120 VAC	250 mA @120 VAC	417 mA @120 VAC	583 mA @120 VAC	750 mA @120 VAC
Efficacy <sup>3</sup>	≥123 lm/W	≥117 lm/W	≥121 lm/W	≥121 lm/W	≥126 lm/W
Color Temperature	switchable on rear of flood light body (3000K / 4000K / 5000K)				
Beam Angle	NEMA 7x6 (115° horizontal x 85° vertical)				
CRI	80+				
Dimming	none			1-10 V	
IP Rating	IP65				
Ambient Operating Temperature	-4°-122° F (-20°-50° C)			-40°-122° F (-40°-50° C)	
Rated Life (L70)	50,000 hours				

<sup>3</sup>Efficacy is rated at 3000K and will vary by selected CCT.

#### Dimensional Drawings

##### Included Flood/U-Bracket Mount

This mount allows full 360° rotation of the light.



Dimension for FLCCT-	SW3515-SH8BRU SW3530-SH8BRU	SW3550-SH8BRU	SW3570-SH8BRU SW3590-SH8BRU
A	8.1 in. (206 mm)	9.4 in. (239 mm)	11.5 in. (292 mm)
B	7.1 in. (180 mm)	8.5 in. (216 mm)	10.4 in. (264 mm)
C	5.9 in. (150 mm)	7.2 in. (183 mm)	8.7 in. (221 mm)
D	5.2 in. (132 mm)	6.2 in. (157 mm)	7.5 in. (191 mm)
E	1.8 in. (46 mm)	2 in. (51 mm)	2.1 in. (53 mm)
F	3.9 in. (99 mm)	4.6 in. (117 mm)	5.6 in. (142 mm)
G	4.25 in. (108 mm)	5.4 in. (137 mm)	7.4 in. (188 mm)
H	2.7 in. (69 mm)	3.6 in. (91 mm)	3.9 in. (99 mm)
J	1.3 in. (33 mm)	1.4 in. (36 mm)	2.25 in. (57 mm)

T 866.811.5550

F 314.972.6202

email: commercial-sales@superbrightleds.com

www.superbrightleds.com/cat/industrial-led-lighting/

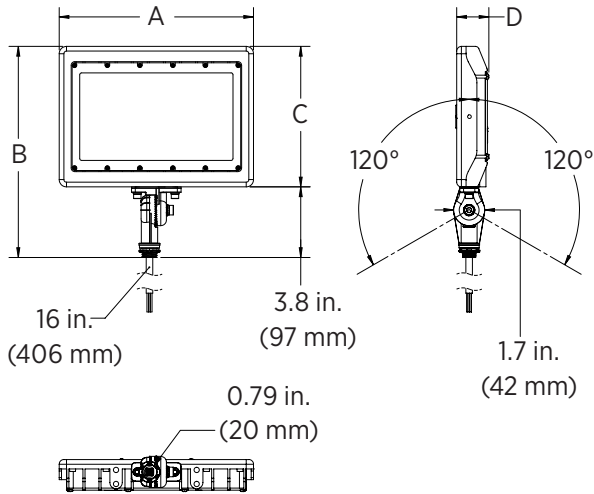


**FLCCT Series**

LED Flood Light Specifications

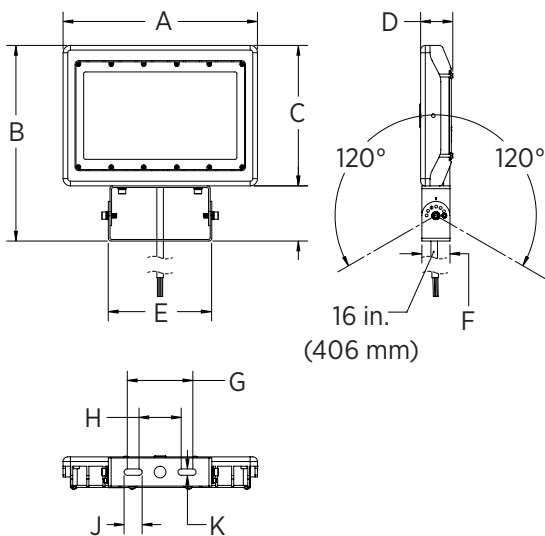
**Dimensional Drawings (cont.)**

**Optional Knuckle Mount**



Dimension for FLCCT-	SW3515-SH8BRU SW3530-SH8BRU	SW3550-SH8BRU	SW3570-SH8BRU SW3590-SH8BRU
A	8.1 in. (206 mm)	9.4 in. (239 mm)	11.5 in. (292 mm)
B	7.1 in. (180 mm)	8.5 in. (216 mm)	10.4 in. (264 mm)
C	5.9 in. (150 mm)	7.2 in. (183 mm)	8.7 in. (221 mm)
D	5.2 in. (132 mm)	6.2 in. (157 mm)	7.5 in. (191 mm)

**Optional Wall/Trunnion Mount**



Dimension for FLCCT-	SW3515-SH8BRU SW3530-SH8BRU	SW3550-SH8BRU	SW3570-SH8BRU SW3590-SH8BRU
A	7.1 in. (180 mm)	8.5 in. (216 mm)	10.4 in. (264 mm)
B	7.5 in. (191 mm)	8.5 in. (216 mm)	10.8 in. (274 mm)
C	5.2 in. (132 mm)	6.2 in. (157 mm)	7.5 in. (191 mm)
D	1.8 in. (46 mm)	2 in. (51 mm)	2.1 in. (53 mm)
E	3.4 in. ( mm)		5.5 in. (140 mm)
F	1 in. (25 mm)		1.5 in. (38 mm)
G	2.3 in. (58 mm)		3.4 in. (86 mm)
H	1.4 in. (36 mm)		2.3 in. (58 mm)
J	0.82 in. (21 mm)		0.97 in. (25 mm)
K	0.34 in. (8.6 mm)		



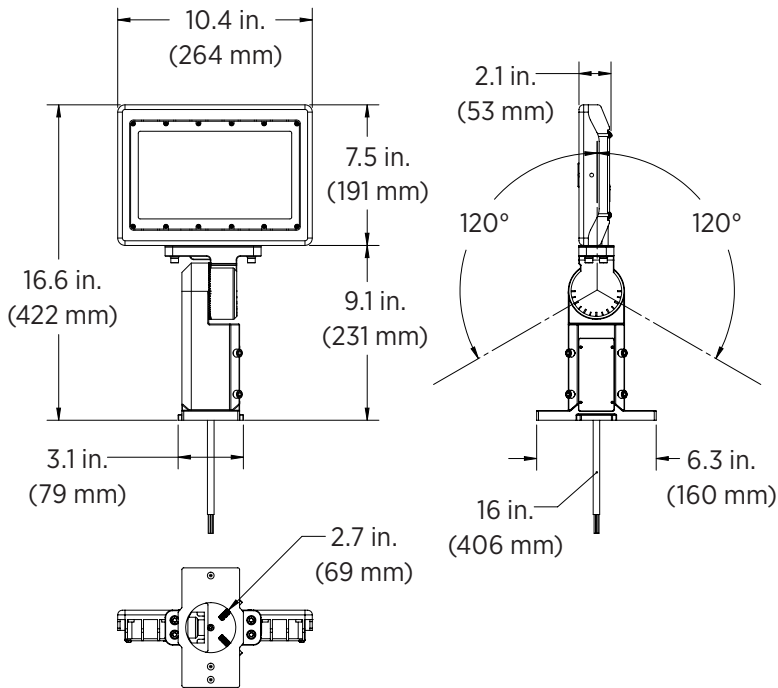
## FLCCT Series

LED Flood Light Specifications

### Dimensional Drawings (cont.)

Optional Pole/Post and Slip-fitter Combination Mount (70 W and 90 W models only)

#### Pole/Post Mounting



#### Alternate Slip-fitter Mounting

