

HPAL2 Series

LED Parking Lot Area Light Specifications

Project _____ Date _____

Type _____



Overview

The LED High Power Area Flood Light delivers 5000K white light for commercial and industrial applications. Type V-VS light distribution ensures equal illumination at all positions within 360° and is best used in warehouses, parking lots, and sports complexes. The durable aluminum housing has an IK10 impact rating to protect internal components and carries an IP66 waterproof rating. Its heat sink design and independent LED engine arrays achieve superior thermal management. Replace traditional metal-halide luminaires with LED flood lights for increased energy savings and better efficacy in a more compact housing. The included yoke mount accommodates high bay and flood light applications. More mounting options are available.

Features

- Type V-VS light distribution
- Heat sink provides superior thermal management
- Multiple mounting options available

Product Details

- Aluminum housing
- Clear polycarbonate lens
- IP66 waterproof
- Yoke Bracket included
- Integrated Surge Protection
- IK10 impact resistance
- 100-277 VAC

Warranty

- 5-year warranty

Available Models

- HPAL2-50K150-90
- HPAL2-50K200-90
- HPAL2-50K240-90
- HPAL2-50K300-90
- HPAL2-50K450-90

Part Number Breakdown

Example: HPAL2-50K300-90

Series	CCT	Wattage	Beam Angle
HPAL2 [High Power Area Light, V2]	50K [5000K]	150 [150 W]	90 [90°]
		200 [200 W]	
		240 [240 W]	
		300 [300 W]	
		450 [450 W]	

Certifications and Compliances

- DLC Premium Listed
- ETL Listed – UL 1598

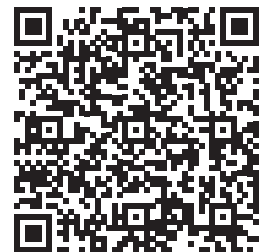


Optional Mounts

- HPAL-FA (fixed arm square pole/post mount)
- HPAL-SF (adjustable slip-fitter mount)
- HPAL-SF-TMB (adjustable slip-fitter mount with wall tenon)
- HPAL-SM (surface mount bracket kit)
- HPAL-UB (alternate U-bracket mount)
- HPAL-UB-IH (alternate U-bracket mount with eye bolt)

Applications

- Area Lighting
- Building Exteriors and Facades
- Warehouses
- Alleyways
- Pathways
- Parking Lots
- Sports Complexes
- Car Dealerships
- Parking Lots
- Street Lights
- Construction Site lighting



¹Contact customer service if interested in other options.

HPAL2 Series

LED Parking Lot Area Light Specifications

Specifications

Model HPAL2-		xK150-90	xK200-90	xK240-90	xK300-90	xK450-90
Lumens		21,000 lm	28,000 lm	33,600 lm	42,000 lm	63,000 lm
Wattage		150 W	200 W	240 W	300 W	450 W
Current Draw	120 VAC	1.3 A	1.7 A	2 A	2.5 A	3.8 A
	277 VAC	540 mA	720 mA	865 mA	1.1 A	1.6 A
Operating Voltage		100-277 VAC				
Efficacy		140 lm/W				
Color Temperature		5000K				
Beam Angle		90°				
Light Distribution		Type V-VS				
CRI		70+				
Dimming		1-10 V				
IP Rating		IP66				
Rated Life (L70)		100,000 hours				
Ambient Operating Temperature		-22-113° F (-30-45° C)				
Product Weight		14.1 lb (6.4 kg) ¹	17.3 lb (7.8 kg) ¹	17.8 lb (8.1 kg) ¹	22 lb (10 kg) ¹	30.9 lb (14 kg) ¹

¹Weight is for light with standard mounting bracket. Installing optional mounts will change this value.



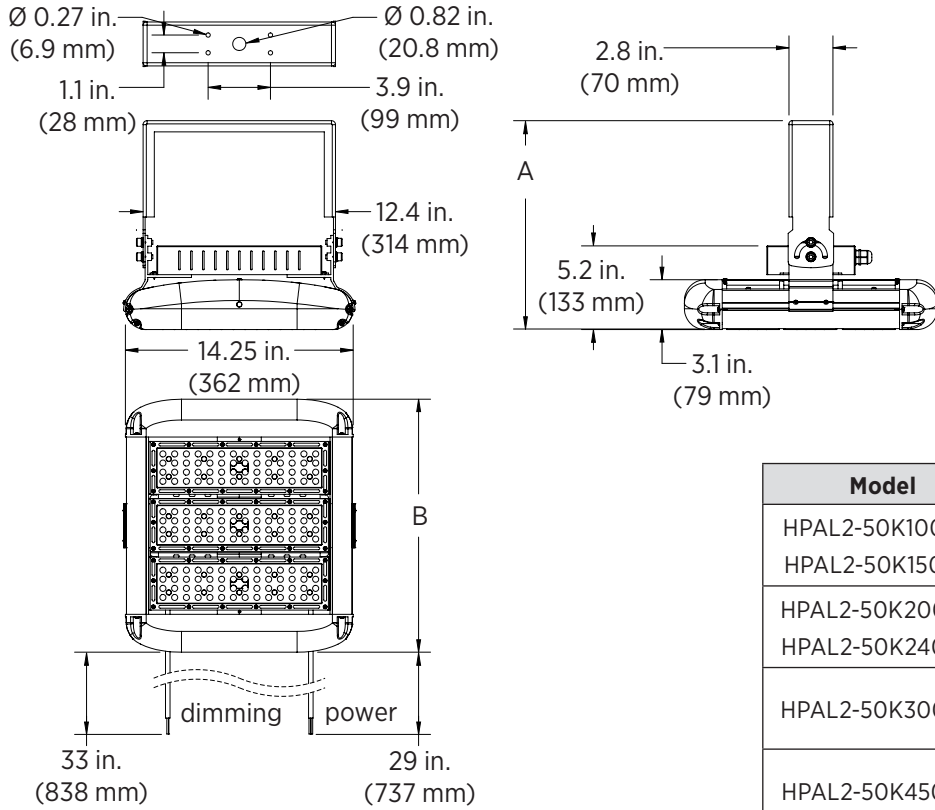
HPAL2 Series

LED Parking Lot Area Light Specifications

Dimensional Drawings

Included Yoke Mount

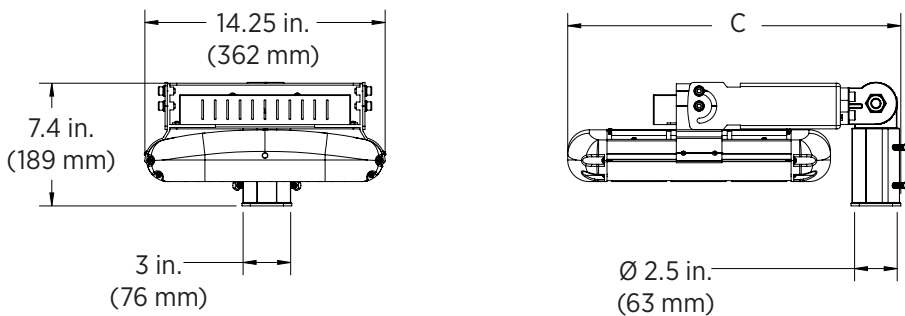
200 W model shown, other models similar. Bracket allows for 90° rotation in both directions.



Model	A	B
HPAL2-50K100-90	10.7 in. (271 mm)	12.25 in. (311 mm)
HPAL2-50K150-90		
HPAL2-50K200-90	12.5 in. (318 mm)	15.8 in. (402 mm)
HPAL2-50K240-90		
HPAL2-50K300-90	14.4 in. (366 mm)	19.5 in. (495 mm)
HPAL2-50K450-90	18 in. (457 mm)	26.8 in. (681 mm)

HPAL-SF (adjustable slip-fitter mount)

200 W model shown, other models similar. Bracket allows for 115° rotation in both directions.



Model	C
HPAL2-50K100-90	16 in. (406 mm)
HPAL2-50K150-90	
HPAL2-50K200-90	19.75 in. (502 mm)
HPAL2-50K240-90	
HPAL2-50K300-90	23.4 in. (595 mm)
HPAL2-50K450-90	30.4 in. (773 mm)



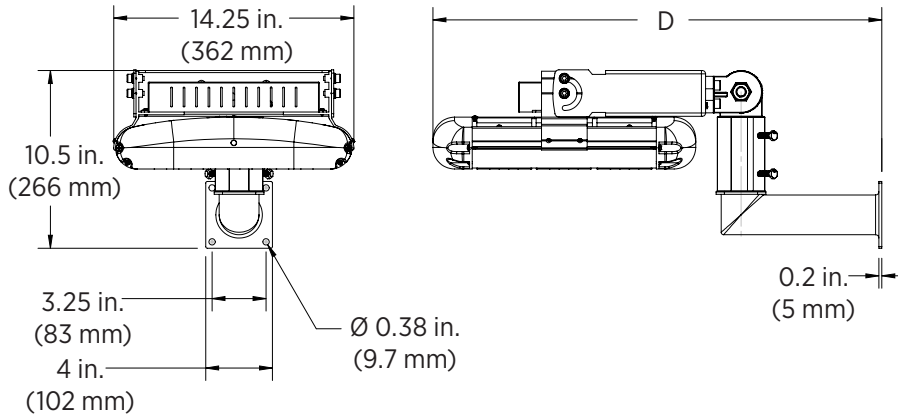
HPAL2 Series

LED Parking Lot Area Light Specifications

Dimensional Drawings (cont.)

HPAL-SF-TMB (adjustable slip-fitter mount with wall tenon)

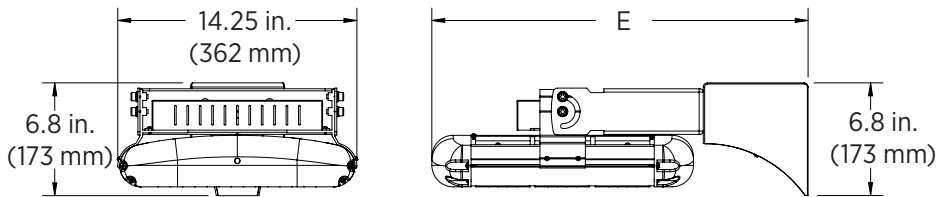
200 W model shown, other models similar. Bracket allows for 115° rotation in both directions.



Model	D
HPAL2-50K100-90	22.7 in.
HPAL2-50K150-90	(575 mm)
HPAL2-50K200-90	26.3 in.
HPAL2-50K240-90	(669 mm)
HPAL2-50K300-90	30.1 in.
	(766 mm)
HPAL2-50K450-90	37.4 in.
	(950 mm)

HPAL-FA (fixed arm square pole/post mount)

200 W model shown, other models similar.



Model	E
HPAL2-50K100-90	18.9 in.
HPAL2-50K150-90	(479 mm)
HPAL2-50K200-90	22.5 in.
HPAL2-50K240-90	(571 mm)
HPAL2-50K300-90	26 in.
	(660 mm)
HPAL2-50K450-90	33.5 in.
	(851 mm)

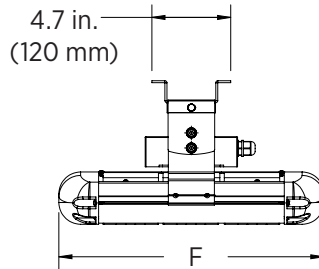
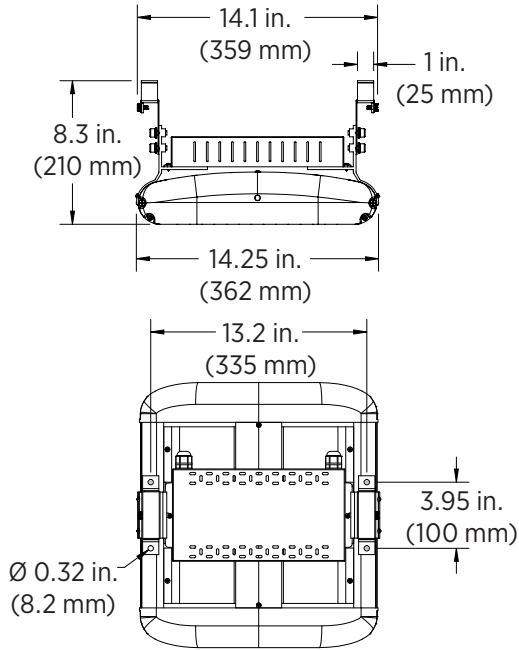


HPAL2 Series

LED Parking Lot Area Light Specifications

Dimensional Drawings (cont.)

HPAL-SM (surface mount bracket kit)
200 W model shown, other models similar.



Model	F
HPAL2-50K100-90	12.3 in.
HPAL2-50K150-90	(311 mm)
HPAL2-50K200-90	15.8 in.
HPAL2-50K240-90	(402 mm)
HPAL2-50K300-90	19.5 in.
	(495 mm)
HPAL2-50K450-90	26.8 in.
	(681 mm)



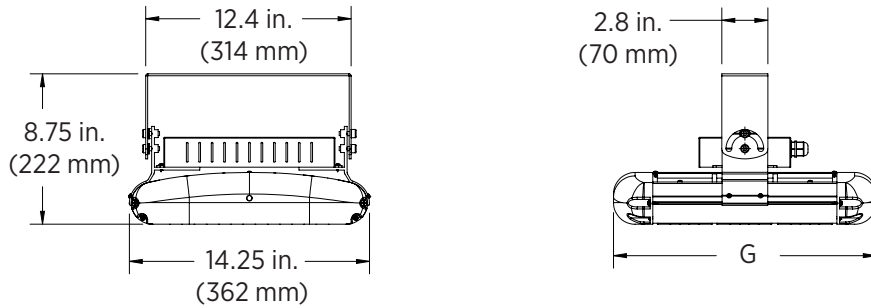
HPAL2 Series

LED Parking Lot Area Light Specifications

Dimensional Drawings (cont.)

HPAL-UB (alternate U-bracket mount)

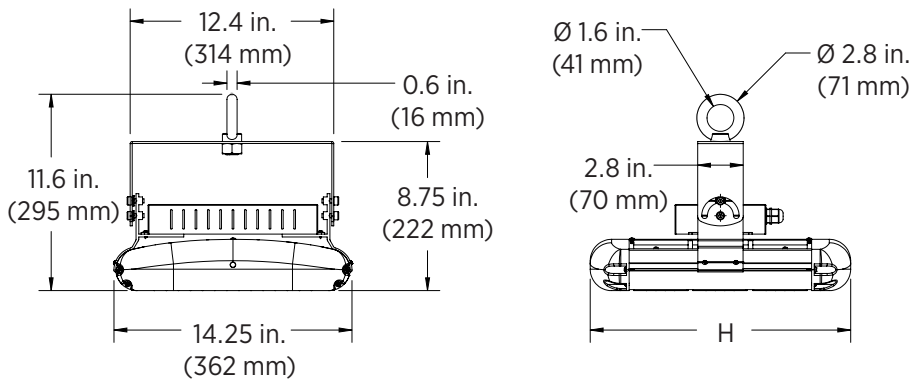
200 W model shown, other models similar. Bracket allows for 90° rotation in both directions.



Model	G
HPAL2-50K100-90	12.3 in.
HPAL2-50K150-90	(311 mm)
HPAL2-50K200-90	15.8 in.
HPAL2-50K240-90	(402 mm)
HPAL2-50K300-90	19.5 in.
	(495 mm)
HPAL2-50K450-90	26.8 in.
	(681 mm)

HPAL-UB-IH (alternate U-bracket mount with eye bolt)

200 W model shown, other models similar. Bracket allows for 90° rotation in both directions.



Model	H
HPAL2-50K100-90	12.3 in.
HPAL2-50K150-90	(311 mm)
HPAL2-50K200-90	15.8 in.
HPAL2-50K240-90	(402 mm)
HPAL2-50K300-90	19.5 in.
	(495 mm)
HPAL2-50K450-90	26.8 in.
	(681 mm)

