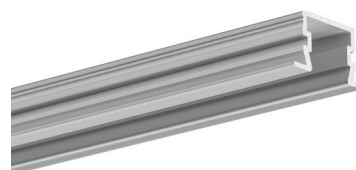


PRODUCT DESCRIPTION**Closet Rated**

- Invisible groove edge
- Small bending radius
- Wide range of accessories

FINISH :Silver anodized Black anodized White 

Fill empty fields

Product nr.	
Fixture type	
Company	
Job name	
Date	

TECHNICAL SPECIFICATION**Application**

- furniture, main and decorative lighting.

Mounting

- recessed, with mounting adhesive or double-sided adhesive tape,
- the cover is cut to the length of the profile.

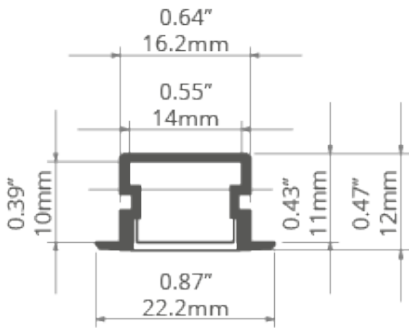
Additional information

- the profile fits in the thickness a drywall panel, i.e.12 mm / 0,47" (after cutting the panel, the profile does not protrude above it),
- dimensions of the groove for recessing the profile: 18 mm / 0,70" (width) x 13 mm / 0,51" (depth)
- line of light obtainable with a LIGER cover and LED strip with a minimum of 120 LED/m
- the bottom of the profile is 14.2 mm / 0,56" wide, which allows the use of RGBW strips

AVAILABLE LENGTHS

Ref. nr.	surface finish	available lengths
C1588ANODA_1	Silver anodized	39.4"
C1588ANODA_2	Silver anodized	78.7"
C1588K7_1	Black anodized	39.4"
C1588K7_2	Black anodized	78.7"
C1588L9010OD_2	White	78.75"

TECHNICAL DRAWING



RELATED PRODUCTS

COVERS

BLACK

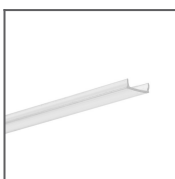


LIGER Cover
black
Ref: 17040

CLEAR COVERS

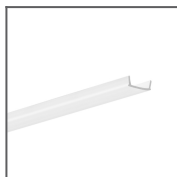


KA-PRO Cover
clear
Ref: 17065

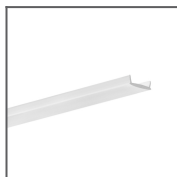


KA Cover clear
Ref: 17036

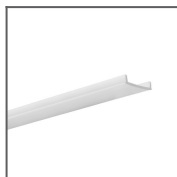
FROSTED COVERS



KA Cover frosted
Ref: 17035



LIGER Cover frosted
Ref: 17037 (Old ref. 17031)



KA-PRO Cover frosted
Ref: 17064

END CAPS

REGULAR END CAPS



PDS-NK white
End cap
Ref: 24402



PDS-NK-OTW
grey End cap
Ref: 24339



PDS-NK grey End
cap
Ref: 24338



PDS-NK black
End cap
Ref: 24342



PDS-NK-OTW
black End cap
Ref: 24343



PDS-NK-OTW
white End cap
Ref: 24404

ACCESSORIES

ADDITIONAL ITEMS



6x1.2 Gland
Ref: 00802