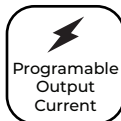
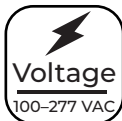




DCEG-100W-P3



Overview

The Programmable Constant Current Driver can be pre-programmed to a custom output level and minimum dimming percentage. Select an output level (see specifications) and a minimum dimming percentage between 10% and 100%. The driver also has 3-in-1 dimming capabilities, including 0-10V, PWM, and a potentiometer. It has an input range of 100-277 VAC and an output voltage range of 27-54 VDC. Purchase with a handheld programmer to thoroughly customize the driver.

Features

- Custom Output Current up to 2800 mA
- Universal 100-277 VAC input
- 27-54 VDC output
- Dimming: 0-10V, PWM, Potentiometer
- IP67 Waterproof construction
- UL Listed (Class 2)

Warranty

- 5-year warranty

Available Models¹

- DCEG-40W-P3
- DCEG-60W-P3
- DCEG-75W-P3
- DCEG-100W-P3

Part Number Breakdown

Example: DCEG-100W-P3

Series	Power	Output Current	Feature
DCEG [DiodeDrive, Constant Current, Extruded Aluminum, IP67]	40W [40 W]	P [Programmable]	3 [3-in-1 Dimming]
	60W [60 W]		
	75W [75 W]		
	100W [100 W]		

Certifications and Compliances

- UL Listed - UL 8750 (FKSZ)
- FCC Compliant



Applications

- Home Interiors
- Light Bars
- Sign Lighting
- Stage & Theaters
- Strip Lights
- Trade Shows
- Under-Cabinets

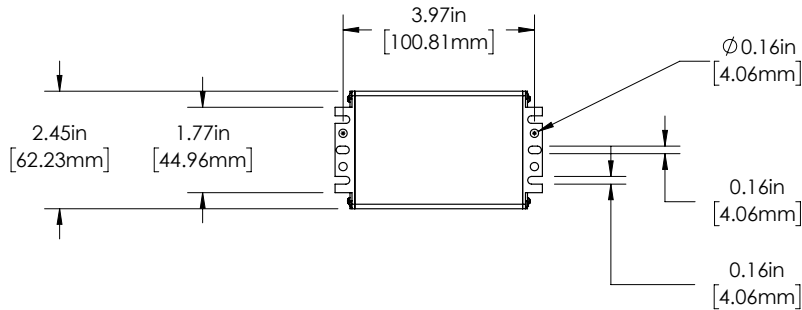
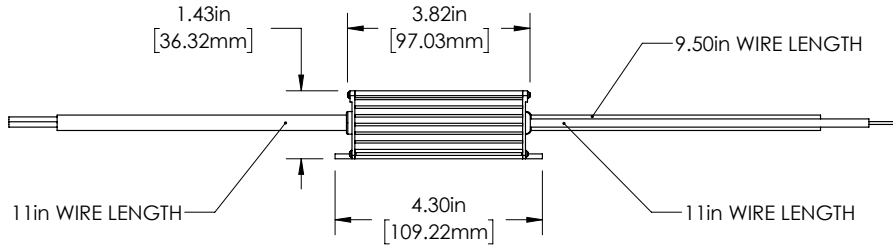
Optional Accessories

- Handheld programmer (CT-001)

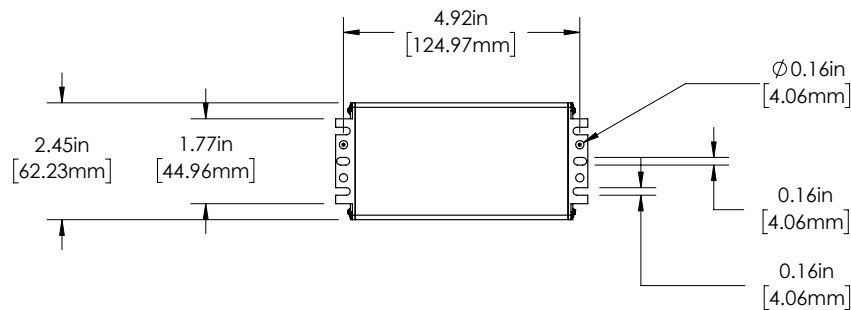
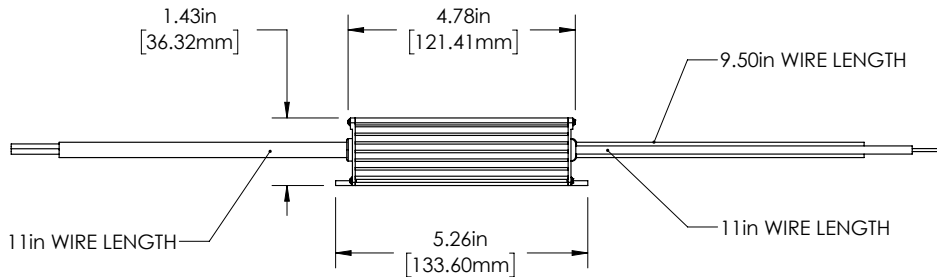


Dimensional Drawings

DCEG-40/60W-P3



DCEG-75/100W-P3





DCEG Constant Current Drivers

Programmable Power Supply Specifications

Specifications

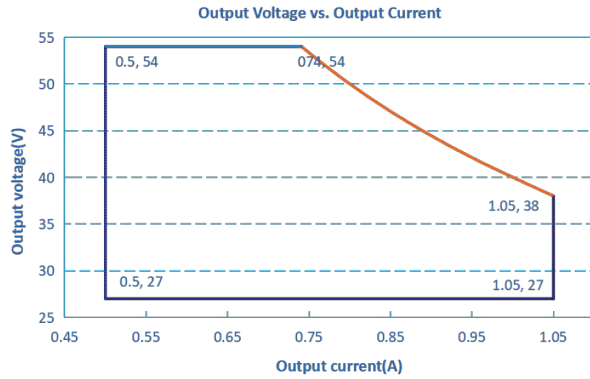
Model	DCEG-40W-P3	DCEG-60W-P3	DCEG-75W-P3	DCEG-100W-P3
Output Power	40 W	60 W	75 W	100 W
Default Output Current	0.95 A	1.4 A	1.7 A	2.2 A
Output Current Range	0.5-1.05 A (500-1050 mA)	0.70-1.5 A (700-1500 mA)	1.0-2.1 A (1000-2100 mA)	1.3-2.8 A (1300-2800 mA)

Series		
Input Voltage		100-277 VAC
Input Frequency		47-63 Hz
Output Voltage Range		27-54 VDC
Dimming		0-10V, PWM, and Potentiometer (resistance)
Protections		Over Voltage, Open Circuit, Short Circuit, and Over Temperature
Surge Protection		DM: 6 kV, CM: 10 kV
IP Rating		IP67
Environmental Rating		Suitable for Wet Locations, Waterproof
Operating Humidity		10-90% relative humidity, non-condensing
Certifications and Compliances		Class 2, UL Listed, FCC Compliant
Mean Time Between Failures		MTBF ≥ 200,000 hours @ 25 °C, 230 VAC
Wire Gauge	In/Out	18 AWG
	Dimming	22 AWG
Ambient Operating Temperature		-40-50 °C (-40-122 °F)

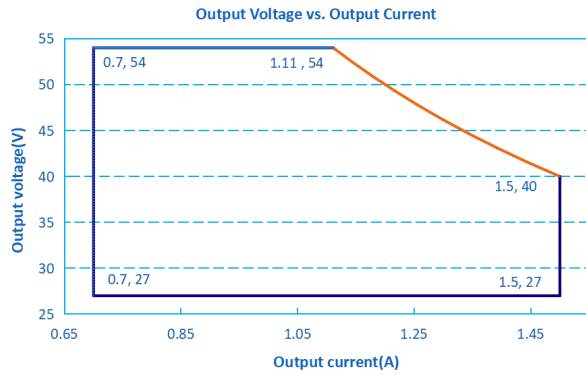


Working Curves

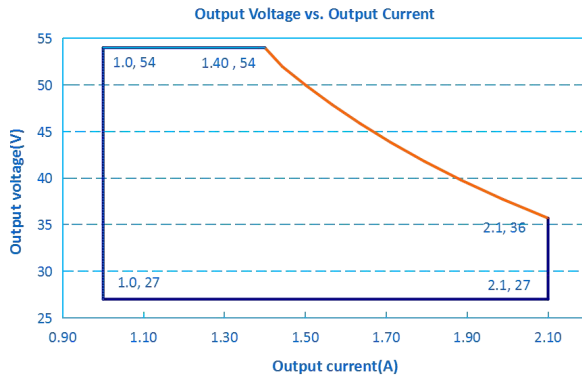
DCEG-40W-P3



DCEG-60W-P3



DCEG-75W-P3



DCEG-100W-P3

