

WPA Series

LED Wall Pack Specifications

Project _____

Date _____ Type _____



Features

- 120-277 VAC
- L70 rated 50,000 hour lifetime
- IP65 rated water resistance
- 0-10 V dimming
- Full cutoff design
- Adjustable angle for precise aiming

Construction

Manufactured with a durable aluminum housing and polycarbonate lens.

Application

Easily replaces inefficient metal-halide fixtures such as those found in warehouses, parking lots and garages, gas stations, and other commercial and industrial spaces. These are also a great solution for entryways and other areas where good lighting is essential for security.

Output Equivalencies

WPA-xK12-W	50 W metal-halide
WPA-xK35-W	175W metal-halide
WPA-xK75-W	320 W metal-halide
WPA-xK120-W	400 W metal-halide

Warranty

Five (5) Year Warranty

Certifications and Compliances

These lights are UL Listed in compliance with UL 1598 (IFAM)



T 866.811.5550
 F 314.972.6202
 email: commercial-sales@superbrightleds.com
 www.superbrightleds.com/cat/industrial-led-lighting/

Available Models¹

3000K

- WPA-30K12-W
- WPA-30K35-W
- WPA-30K75-W
- WPA-30K120-W

5000K

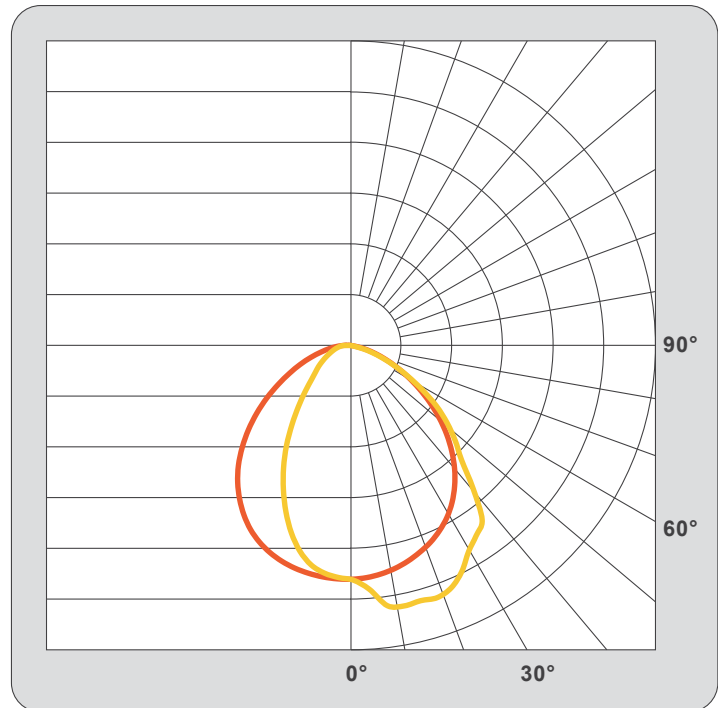
- WPA-50K12-W
- WPA-50K35-W
- WPA-50K75-W
- WPA-50K120-W

Part Number Breakdown

Example: WPA-50K75-W

Family	Color Temperature	Wattage
WPA	30K [3000K] or 50K [5000K]	12-W [12 W]
		35-W [35 W]
		75-W [75 W]
		120-W [120 W]

Photometrics - Beam Angle



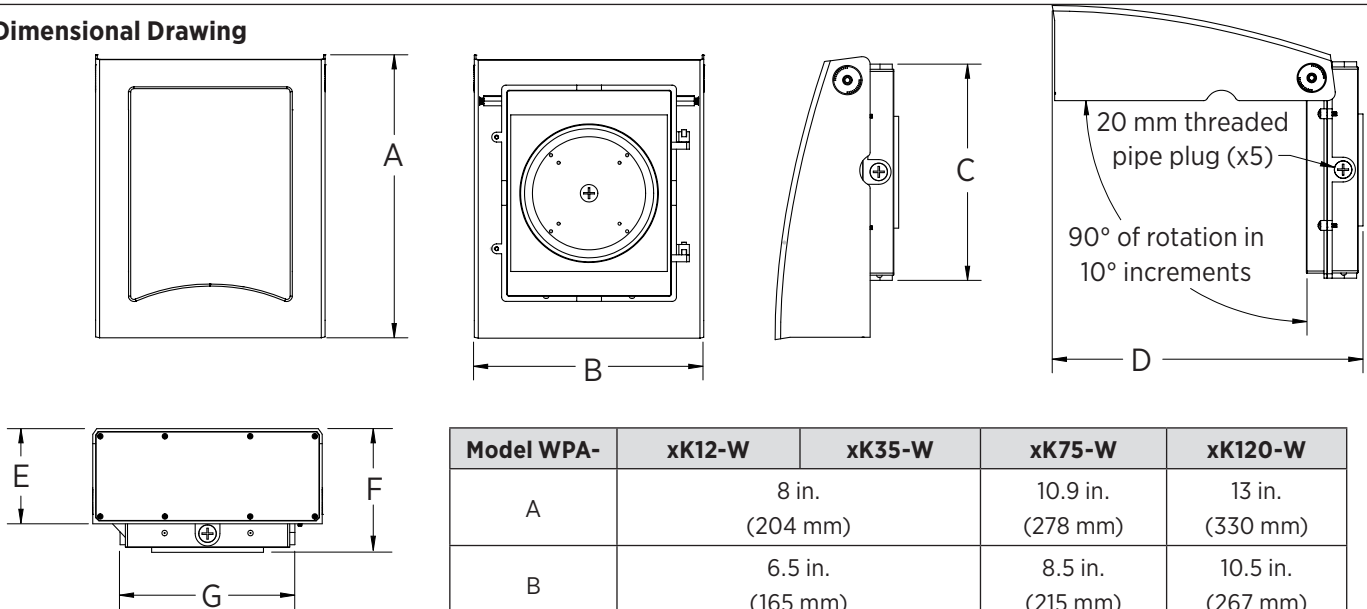
Additional model-specific photometric data available on site or upon request.

¹Contact customer service if interested in options other than those listed.

WPA Series

LED Wall Pack Specifications

Dimensional Drawing



Model WPA-	xK12-W	xK35-W	xK75-W	xK120-W
A	8 in. (204 mm)		10.9 in. (278 mm)	13 in. (330 mm)
B	6.5 in. (165 mm)		8.5 in. (215 mm)	10.5 in. (267 mm)
C	5.9 in. (150 mm)		8.2 in. (207 mm)	9.9 in. (251 mm)
D	8.9 in. (226 mm)		12.1 in. (306 mm)	14.2 in. (361 mm)
E	3.2 in. (81 mm)		4 in. (100 mm)	4.4 in. (110 mm)
F	4.1 in. (98 mm)		4.6 in. (114 mm)	5.1 in. (130 mm)
G	4.3 in. (108 mm)		6 in. (151 mm)	8 in. (202 mm)

Specifications

Model	WPA-xK12-W	WPA-xK35-W	WPA-xK75-W	WPA-xK120-W
Intensity	1,560 lm	4,550 lm	9,750 lm	15,600 lm
Operating Voltage	120-277 VAC			
Power Consumption	12 W	35 W	75 W	120 W
Current Draw	0.1 A @120 VAC	0.29 A @120 VAC	0.63 A @120 VAC	1 A @120 VAC
Efficacy	130 lm/W			
Color Temperature	3000K or 5000K (as ordered)			
Beam Angle	100° x 75° (NEMA 6 x NEMA 5)			
CRI	70+			
Dimming	0-10 V			
IP Rating	IP65			
Ambient Operating Temperature	-40°-122° F (-40°-50° C)			
Product Weight	3.2 lb (1.5 kg)		5 lb (2.3 kg)	7 lb (3.2 kg)
Rated Life (L70)	50,000 hours			

