



# LED MR16

## 7MR16/LED/827/F35/DIM 12V 10/1FB

Philips LED MR-16 lamps with single optic technology provide the look and color quality of traditional halogens while using a fraction of the energy. A perfect fit for spot lighting, they are compatible with most existing fixtures with MR16 GU5.3 holders and are designed as a retrofit replacement for halogen or incandescent spots.

### Product data

General Information	
Cap-Base	GU5.3 [GU5.3]
Nominal lifetime	25,000 hour(s)
Switching Cycle	50,000
Lighting Technology	LED
EU RoHS compliant	Yes

Light Technical	
Color Code	827 [CCT of 2700K]
Beam Angle (Nom)	35 degree(s)
Luminous Flux	515 lumen
Luminous Intensity (Nom)	1,350 cd
Color Designation	Warm White (WW)
Correlated Color Temperature (Nom)	2700 K
Luminous Efficacy (rated) (Nom)	73.00 lm/W
Color Consistency	<4
Color rendering index (CRI)	80
LLMF At End Of Nominal Lifetime (Nom)	70 %

Operating and Electrical	
Line Frequency	- Hz
Input Frequency	- Hz

Power Consumption	
Power Consumption	7 W
Lamp Current (Nom)	650 mA
Wattage Equivalent	50 W
Starting Time (Nom)	0.5 s
Warm-up time to 60% light	0.5 s
Power Factor (Fraction)	0.7
Voltage (Nom)	ac electronic 12 V

Temperature	
T-Case Maximum (Nom)	194 °F

Controls and Dimming	
Dimmable	Only with specific dimmers

Mechanical and Housing	
Bulb Finish	Clear
Bulb Material	Aluminum
Bulb Shape	MR16 [2inch/50mm]

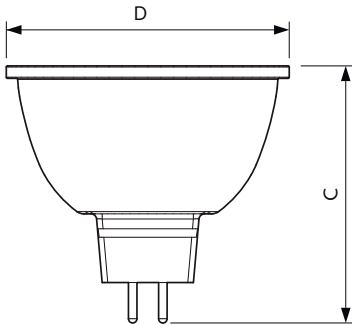
Approval and Application	
Suitable For Accent Lighting	Yes

# LED MR16

<b>Energy Certifications</b>	Energy Star
<b>Product Data</b>	
Order product name	7MR16/LED/827/F35/DIM 12V 10/1FB
Order code	573881
Numerator - Quantity Per Pack	1
Numerator - Packs per outer box	10

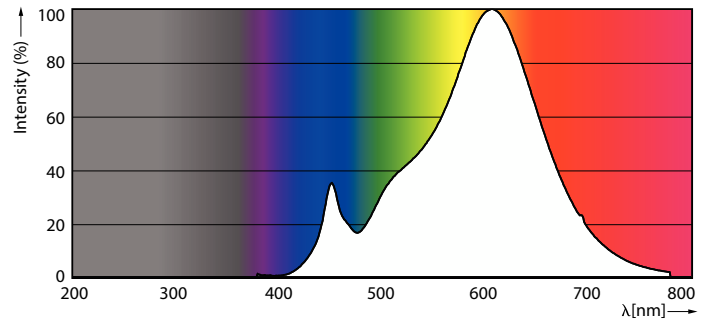
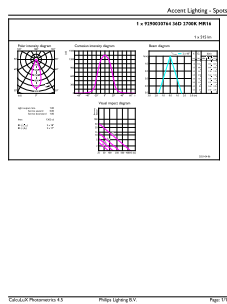
<b>Material Nr. (12NC)</b>	929003076404
<b>Full product name</b>	7MR16/LED/827/F35/DIM 12V 10/1FB
<b>EAN/UPC - Case</b>	50046677573886
<b>EAN/UPC - Product/Case</b>	046677573881

## Dimensional drawing



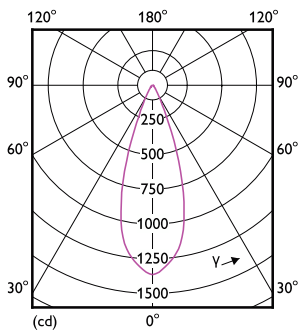
Product	D	C
7MR16/LED/827/F35/DIM 12V 10/1FB	50 mm	46.5 mm

## Photometric data



Accent Lighting Spots - 7MR16/LED/827/F35/DIM 12V 10/1FB

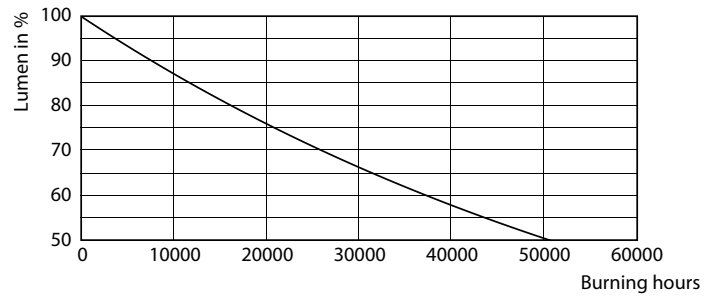
Spectral Power Distribution Colour - 7MR16/LED/827/F35/DIM 12V 10/1FB



Light Distribution Diagram - 7MR16/LED/827/F35/DIM 12V 10/1FB

# LED MR16

## Lifetime



Life Expectancy Diagram - 7MR16/LED/827/F35/DIM 12V 10/1FB

Lumen Maintenance Diagram - 7MR16/LED/827/F35/DIM 12V 10/1FB

