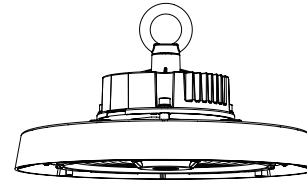




## Questions?

For customer service please call us at 1-310-787-1100  
Office Hours: 8:00 a.m. – 5:00 p.m. PST Monday-Friday  
E-mail: info@eurilighting.com



# LED UFO HIGH BAY LIGHT

### PLEASE REVIEW THE INSTRUCTIONS AND WARNINGS LISTED BELOW PRIOR TO PROPER INSTALLATION

CAUTIONS	NOTICE
<ul style="list-style-type: none"> <li>• Can not use the electric generator to test LED light.</li> <li>• Please abide by related country, regional and local law and regulations when installing this fixture.</li> <li>• Please turn off the power before installation or maintenance.</li> <li>• Proper grounding is required to ensure safety.</li> </ul>	<ul style="list-style-type: none"> <li>• To avoid possibility of electrical shock or fire, the installation personnel must have professional electric knowledge.</li> <li>• Please wear gloves to avoid injury before installation.</li> <li>• If there is any smoke or spark, please turn off the power immediately and consult a qualified electrician.</li> <li>• Please use listed water proof strain relief bushing when connection the supply cord to the outlet box.</li> </ul>
ATTENTION	
<ul style="list-style-type: none"> <li>• Please check if there is any damage during shipping. If so, please contact manufacturer in a timely manner.</li> <li>• Please read the installation instruction carefully to check whether all the accessories are complete. After confirmation, then install the fixture according to installation steps.</li> </ul>	

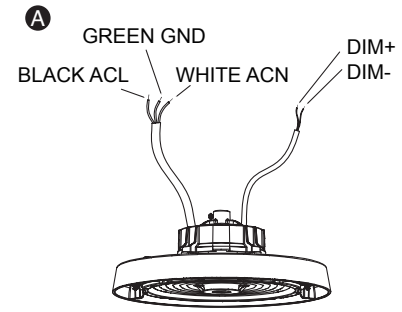
### WIRING DIAGRAM & INSTRUCTION

This LED high bay light can be equipped with optional DC motion sensor, and is available with 0-10V dimming function, with following 3 dimming solutions :

1. 0-10V dimming
2. Intelligent dimming with DC motion sensor
3. Pre-install tool-free handling DC motion sensor dimming module, and choose dimming function freely.

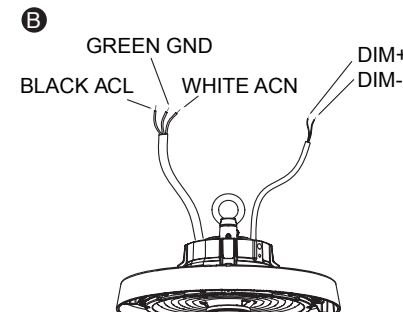
Please use the dimming+, dimming- (DC 10V) marking leads to connect to outside dimmer.  
The pink wire and black wire with shrinkable tubing shall not be damaged (no connection).  
Class 1 Wiring Only.  
Please assure a cumulative leakage current of less than 3.5mA on the control circuit.

**A**



As for the wire color of DIM+, DIM- and AUX+, pls check the light label.

**B**

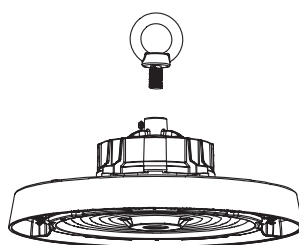
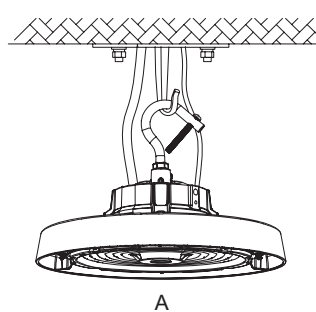
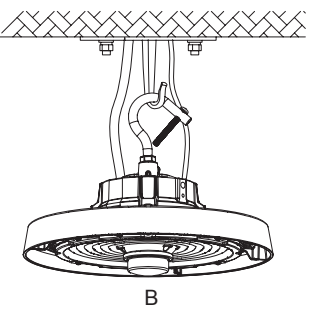


**RECOMMENDED DIMMER LIST**  
LUTON: NTSTV-DV / LEVITON: DS710-10Z / LEVITON: IP710 / Legrand: RH4FBL3PW

**INSTALLATION INSTRUCTIONS**  
Hook Mount, Ceiling Mount, 1/2"NPT Mount. (Please choose the most suitable installation method for the purchased product as per your needs)

### HOOK MOUNT

1. Screw the hook into the fixture, tighten and fix it.
 




2. Hang the fixture on the ceiling hook or chain.
3. After installation, connect the wire of the fixture to the mains according to local wiring rules, ensure the connection is stable and make good protection on the connection.

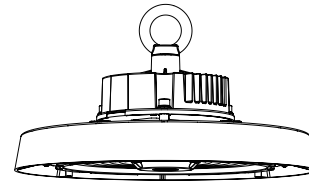
THIS PRODUCT MAY NOT BE COMPATIBLE WITH ALL DIMMERS, FOR MORE INFORMATION ABOUT DIMMER COMPATIBILITY PLEASE VISIT: [WWW.EURILIGHTING.COM](http://WWW.EURILIGHTING.COM)

©2023. Euri Lighting | A Division of IRTRONIX Inc. All Rights Reserved



**Questions?**

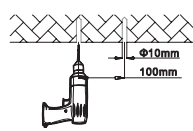
For customer service please call us at 1-310-787-1100  
Office Hours: 8:00 a.m. – 5:00 p.m. PST Monday-Friday  
E-mail: info@eurilighting.com



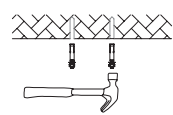
**LED UFO  
HIGH BAY  
LIGHT**

**PLEASE REVIEW THE INSTRUCTIONS AND WARNINGS LISTED BELOW PRIOR TO PROPER INSTALLATION**

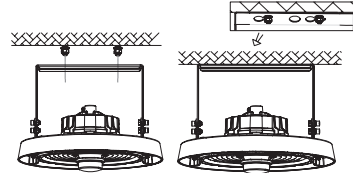
**CEILING MOUNT**



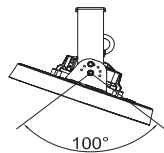
**1** Mark with a pen or sharp tool on the mounting surface and drill.



**2** Fix screws into the holes with a hammer.

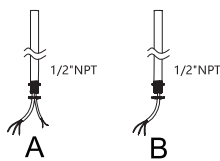


**3** Align the bracket hole with screw hole, and push the fixture to one side and fix it.

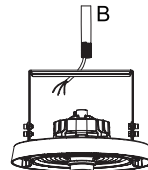
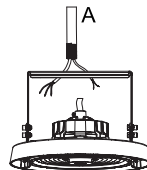


**4** After installation, connect the wire of the fixture to the main power source according to local wiring rules, ensure the connection is stable and ensure the connected wires are well protected. By adjusting the brackets screws, users can vertically adjust 50° to the left or right vertically.

**1/2" NPT Mount**

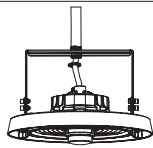


**1** Unscrew the nuts on 1/2" NPT.



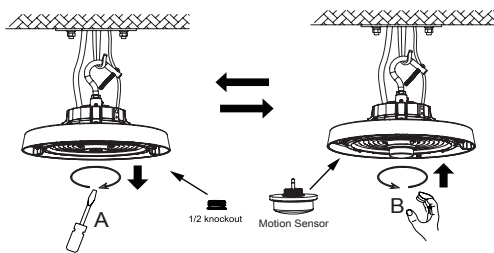
**2** Insert 1 /2" NPT stem into the bracket hole.

**3** Re-screw the nuts.



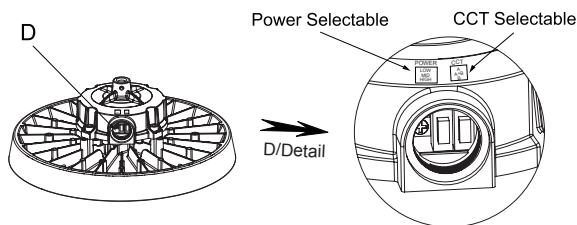
**4** After installation, connect the wire of the fixture to the main power source according to local wiring rules, ensure the connection is stable and ensure the connected wires are well protected. By adjusting the brackets screws, users can vertically adjust 50° to the left or right vertically.

**INSTALLATION OF DC MOTION SENSOR**



If fixture has sensor receptacle installed, screw the 1/2" Knockout out with screw driver by illustrated direction, and screw the sensor kit on. The sensor is set as universal mode (refer to sensor spec sheet), the setting is programmable via remote control (the remote control is not included in standard packing).

**OPTIONAL FUNCTION**



The fixture has integrated function of 2 or 3 CCT selectable and 2 or 3 Power selectable. The setting could be customized. Operation: Take away the water-proof gasket, adjust dip switch to choose CCT and Power as per sign. The original setting could be either as factory default or customized request.

THIS PRODUCT MAY NOT BE COMPATIBLE WITH ALL DIMMERS, FOR MORE INFORMATION ABOUT DIMMER COMPATIBILITY PLEASE VISIT: [WWW.EURILIGHTING.COM](http://WWW.EURILIGHTING.COM)

©2023. Euri Lighting | A Division of IRTRONIX Inc. All Rights Reserved