

Available Models¹

- VTS2D-SW3B25-BFB-GR

Part Number Breakdown

Example: VTS2D-SW3B25-BFB-GR

Family	CCT	Wattage	LED Manufacturer	Diffuser Type	Driver Manufacturer	Housing Color
VTS2D	SW3B [selectable CCT]	25 [25 Watts]	B [Lumileds]	F [Frosted Diffuser]	B [Becky]	GR [Gray]

Description

VTS2D lights are built for rugged environments. IP65 waterproof rating and polycarbonate housing protect the fixture in applications where moisture and dust may be present. Field-selectable color temperatures customize the fixture to the lighting needs of each space. Replace 2-lamp strip fixtures fitted with 17W Fluorescent T8 tubes for lower maintenance costs and increased energy savings.

Mechanical/Construction

- Polycarbonate housing and lens
- IP65 rated and suitable for wet locations

Electrical

- 120–277 VAC input
- 0–10 V dimming

Photometrics

- Selectable CCT (3000K / 4000K / 5000K)
- Up to 128 lm/W
- 120° beam angle

Application

Easily replaces traditional T5 and T8 fluorescent strip fixtures. Simple installation and the ability to wire end to end make these ideal fixtures for many applications including garages, shops, warehouses, and other work or storage areas.

Certifications and Compliances

This light is Certified by UL and rated as being suitable for wet locations.



Optional Accessories

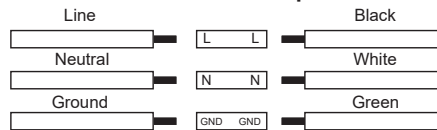
- Suspension Kit (VTLM-HKO)

Warranty

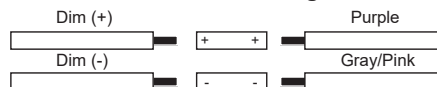
Five (5) Year Warranty

Wiring Diagram

120–277 VAC Input



0–10 V Dimming



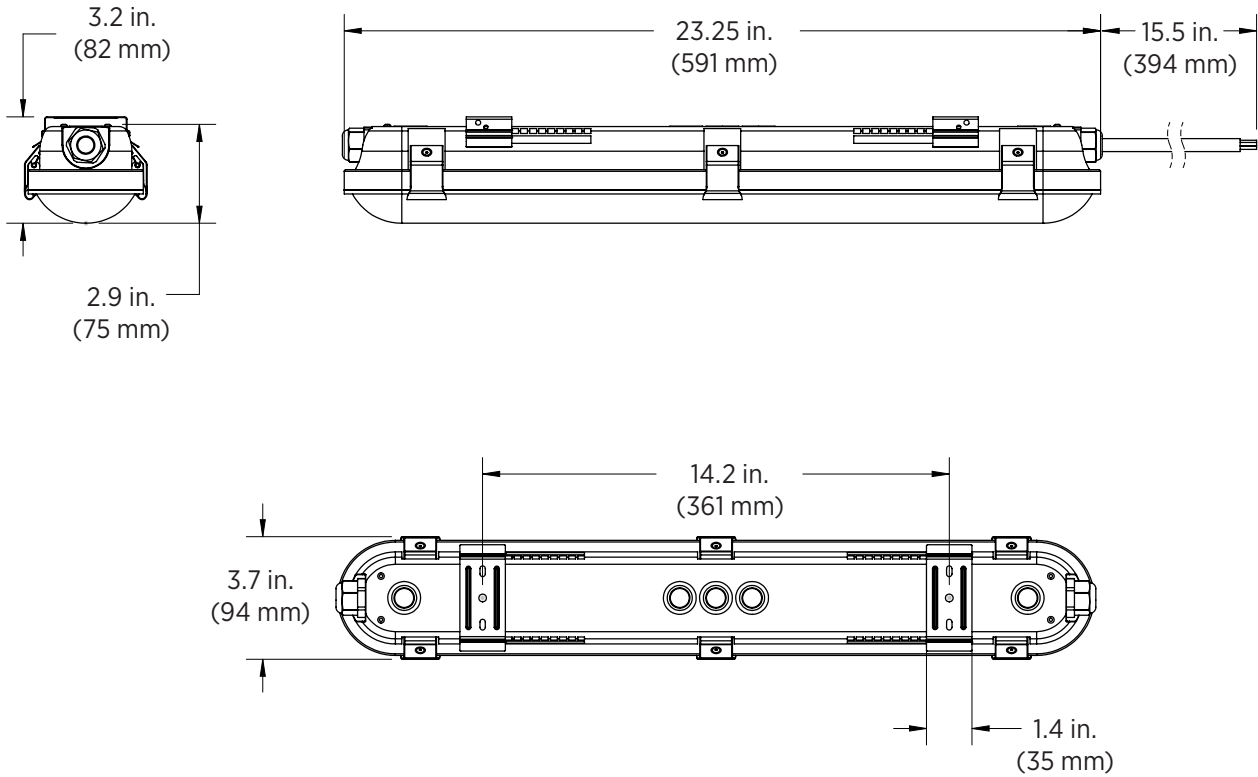
¹Contact customer service if interested in options other than those listed.



VTS2D Series

Linear Vapor Tight LED Light Specifications

Dimensional Drawing



Specifications

Model	VTS2D-SW3B25-BFB-GR
Intensity	2,800-3,200 lm (varies by CCT)
Operating Voltage	120-277 VAC
Power Consumption	25 W
Current Draw	208 mA @ 120 VAC / 91 mA @ 277 VAC
Efficacy	up to 128 lm/W
Surge Protection	2 kV (L/N-G), 1 kV (L-N)
Color Temperature	selectable (3000K / 4000K / 5000K)
Beam Angle	120°
CRI	80+
Power Factor	≥ 0.9
Dimming	0-10 V
Environmental Ratings	IP65, suitable for wet locations
Ambient Operating Temperature	-22°-113° F (-30°-45° C)
Rated Life (L70)	50,000 hours

