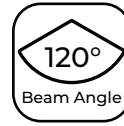


Project _____

Date _____ Type _____



Available Models¹

- NFSB-B-27K5M
- NFSB-B-40K5M
- NFSB-B-65K5M
- NFSB-B-B5M
- NFSB-B-G5M
- NFSB-B-R5M

SAMPLE PART NUMBER BREAKDOWN

NFSB-B-27K5M

Series	CCT	Length
NFSB-B	27K	5M
Neon Flexible Side Bend	27K: 2700K 40K: 4000K 65K: 6500K	5 meters
	B: Blue G: Green R: Red	

Overview

These side bend neon flex LED strip lights provide the look of traditional neon lighting, but are safer and more efficient than traditional neon glass tubes. The Neon Flex Strips offer a continuous line of light in white (warm, natural, cool) color temperatures or single-color (red, green, blue). Each strip can be cut at 1.97 in. (50 mm) for length customization and has a minimum bending diameter of 4.7in. (120mm). An integrated input cable with a waterproof screw connector and included pigtail adapter wire directly to a 24 VDC power supply. With a silicone outer coating, these strips feature IP67-rated watertight construction, making them ideal for use outdoors and in wet locations with proper installation.

Features

- Flexible neon strip replaces traditional fragile glass tubes
- Continuous line of light without hot spots or shadows
- Side bend flexible design - bends to fit custom shapes
- IP67 waterproof - fully encased in silicone

Product Details

- Dimmable with PWM signal
- Segment length: 1.97 in. (50 mm)
- Class 2 Max Run: 16.4 ft (5 m)
- Lifetime exceeds 50,000 hours
- 24 VDC input

Certifications and Compliances

- UL Listed - UL 2108 (IFDR)
- CE Compliant



Applications

- Accent Lighting
- Backlighting
- Commercial Lighting
- Cove Lighting
- Patios
- Retail Shops
- Sign Lighting
- Under-Cabinets

Warranty

- 7-year Warranty



Side Bend Neon LED Strip Lights

Single Color Neon Strip Specifications

SPECIFICATIONS			
Model	NFSB-B-27K5M	NFSB-B-40K5M	NFSB-B-65K5M
LED Color	2700K	4000K	6500K
Lumens per Foot	238 lm/ft	267 lm/ft	256 lm/ft
Efficacy	65 lm/W	73 lm/W	70 lm/W
CRI	80+		

Model	NFSB-B-B5M	NFSB-B-G5M	NFSB-B-R5M
LED Color	Blue	Green	Red

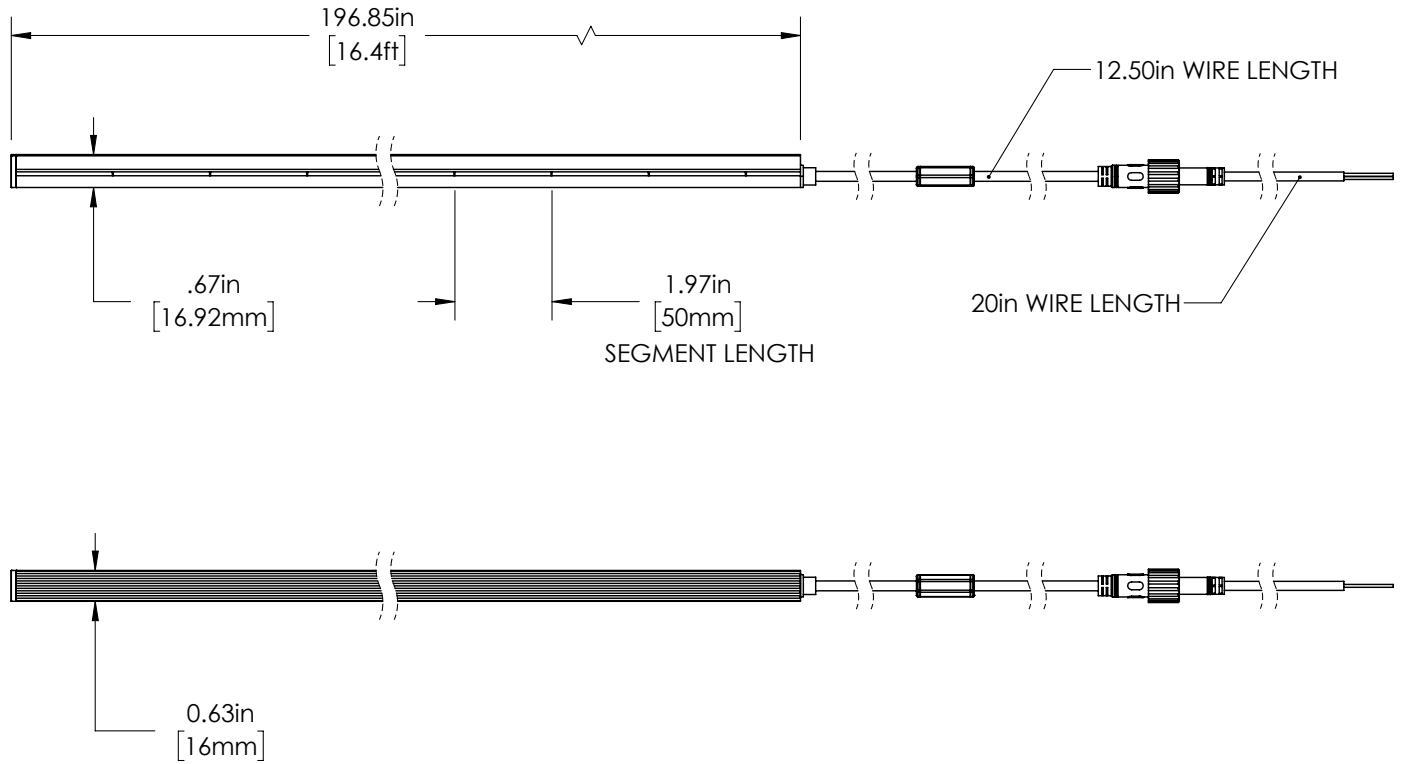
PHOTOMETRIC	
Beam Angle	120°
ELECTRICAL	
Operating Voltage	24 VDC
Current Draw	2.5A
Current Draw per Foot	152 mA/ft
Wattage	60W
Wattage per Foot	3.7 W/ft
Dimmer Type	PWM
MECHANICAL	
LEDs per Segment	7
Minimum Cut Length	50mm (1.97in.)
Max Run (Class 2)	16.4ft (5m)
LED Density	42 LEDs/ft
Strip Width	16mm (0.63in.)
Length	16.4ft (5m)
Input Connection Type	Pigtail
LED Type	2835 SMD
LED Lifetime	50000 hours
ENVIRONMENTAL	
IP Rating	IP67
Environmental Rating	Suitable for Wet Locations, Waterproof
Ambient Operating Temperature	-20 to 60°C (-4 to 140°F)



Side Bend Neon LED Strip Lights

Single Color Neon Strip Specifications

Dimensional Drawings



Minimum Bending Diameter

Side Bend Neon	Top Bend	Side Bend
NFSB-B-x5M	/	4.7in. (120mm)

