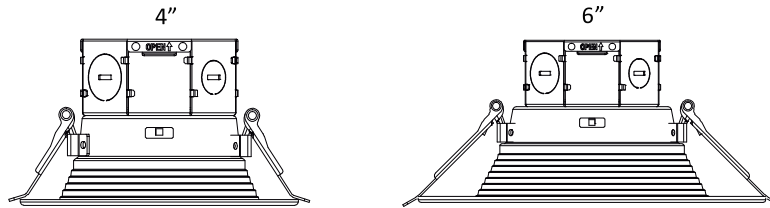


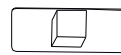
Important: Read all instructions prior to installation.

4BJCT10LRWH, 6BJCT15LRWH

Selectable CCT Downlights



CCT Adjustment



SWITCH

Selectable CCT

2700K,3000K,3500K,4000K,5000K

ASSEMBLY AND INSTALLATION

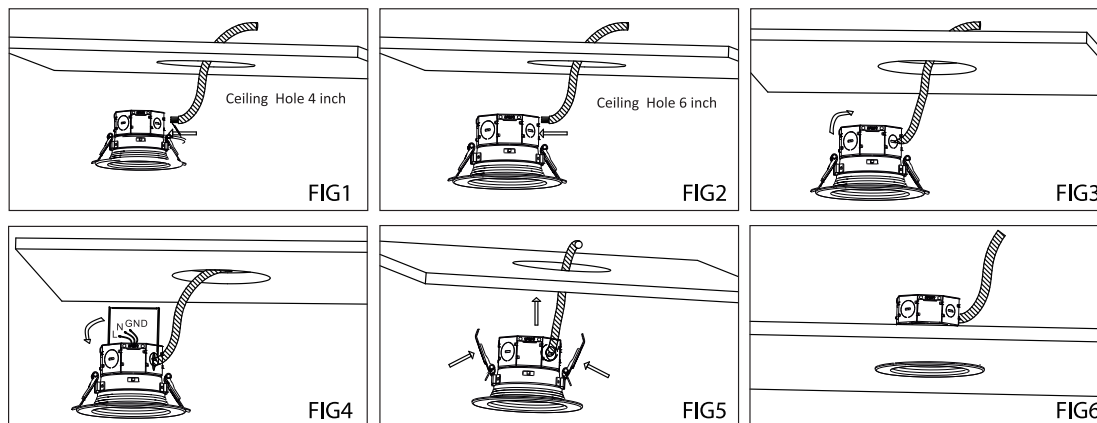
- *Shut off power before installation.
- *Cut 4inch.hole in the ceiling.(FIG1)
- *Cut 6inch.hole in the ceiling.(FIG2)
- *When running the supply wire(s),allow an additional 18 in.of wire at each installation in order to make the electrical connections on the room side of the ceiling hole,identify the size of the wire.(FIG3)
- *Remove the junction Box Cover.
- *Using a screwdriver,push through the 3/4inch hole on the side.
- *Using the quick connectors in the junction box insert the wires in the supply wire AS FOLLOWS:

WHITE WIRE IN SUPPLY WIRE TO WHITE IN QUICK CONNECTOR(NEUTRAL)
 WHITE WIRE IN SUPPLY WIRE TO BLACK IN QUICK CONNECTOR(HOT/LIVE)
 GREEN/BARE WIRE IN SUPPLY WIRE TO GREEN WIPE QUICK CONNECTOR(GROUND)

- *The 4-inch opening size is 4.3 inches, and the 6-inch opening size is 6.3 inches.
- *Carefully stuff all wires/connectors back into the junction box.(FIG4)
- *Snap/replace the cover on top of the junction box.
- *Press the top portion of the spring clips against the side of the housing assembly.(FIG5)

Push the housing Assembly with the top side the Remodel Clips through the hole until tight. Continue to push the Housing Assembly until the fixture snaps into place with the trim tight against ceiling(FIG6).

WARNING-RISK OF ELECTRIC SHOCK DISCONNECT MAIE POWER AT FUSE OR CIRCUIT BREAKER BEFORE INSTALLING OR SERVICING THE FIXTURE



Rev Date: V1.0 09/22/2022

4400 Earth City Expy, St. Louis, MO 63045

• 866-590-3533

• superbrightleds.com