



LHBDSA-SW2BS320-WHMBL

Available Models¹

3.5 mm Mini Jack Sensor Socket

- LHBDSA-SW2BS165-WHMBL
- LHBDSA-SW2BS320-WHMBL
- LHBDSA-SW2BS600-WHMBL



Part Number Breakdown

Example: LHBDSA-SW2BS165-WHMBL

Family	CCT	Sensor Socket	Wattage	Finish	Diffuser	LED Producer	Driver
LHBDSA	SW2B [selectable, 4000K / 5000K]	S [3.5 mm mini jack]	165 [selectable, 130 / 150 / 165 W]	WH [White]	M [Prismatic]	B [Lumileds]	L [LED Driver]
			320 [selectable, 275 / 300 / 320 W]				
			600 [selectable, 400 / 500 / 600 W]				

Description

LHBDSA LED linear high bays are ideal for high bay applications in commercial and industrial locations. These reliable lights have a high 140 lumens per watt efficacy with optional motion sensors for added energy savings. Customize the output with selectable CCT and wattage options for high-ceiling applications. The aluminum and steel housing has a durable powder-coat finish. An impact-resistant polycarbonate lens protects the LEDs and diffuses light.

Construction/Mechanical

- White powder-coated steel and aluminum housing
- Polycarbonate lens
- 1/2" trade size knockouts
- Includes suspension/hanging kit
- Suitable for damp locations

Electrical

- Selectable wattage
- 120-277 VAC input
- 0-10 V dimming
- 50,000 hour LED lifetime
- ≥0.9 power factor

Photometrics

- Selectable CCT
- 140 lm/W
- 90° beam angle
- 80+ CRI

Application

Easily replaces traditional T5 and T8 high bay fixtures and metal-halide high bays. Ideal for many applications including factories, warehouses, distribution centers, and other large, high ceiling spaces.

Certifications and Compliances

- Certified by UL - UL 1598 (IFAM)
- DLC 5.1 Premium Listed



Warranty

- 5-year warranty

Optional Accessories

Pendant Mounts

- For SW2BS165 (LHBDSA-PM1)
- For SW2BS320/ SW2BS600 (LHBDSA-PM2)

Sensors

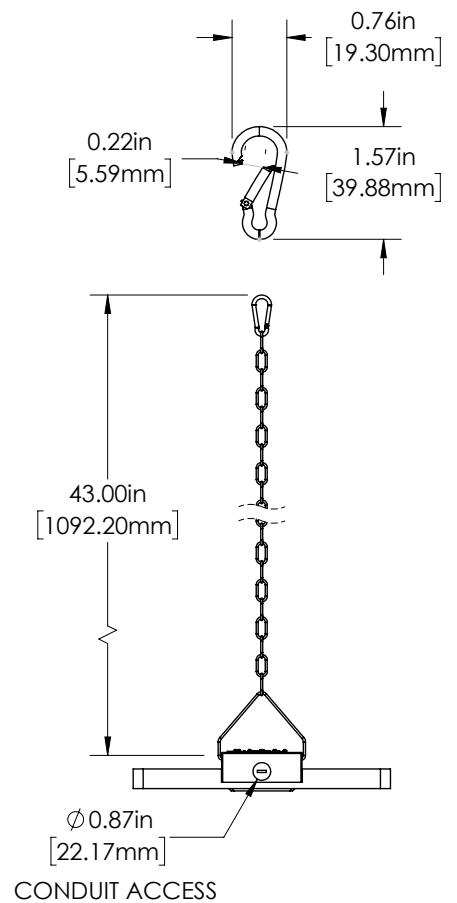
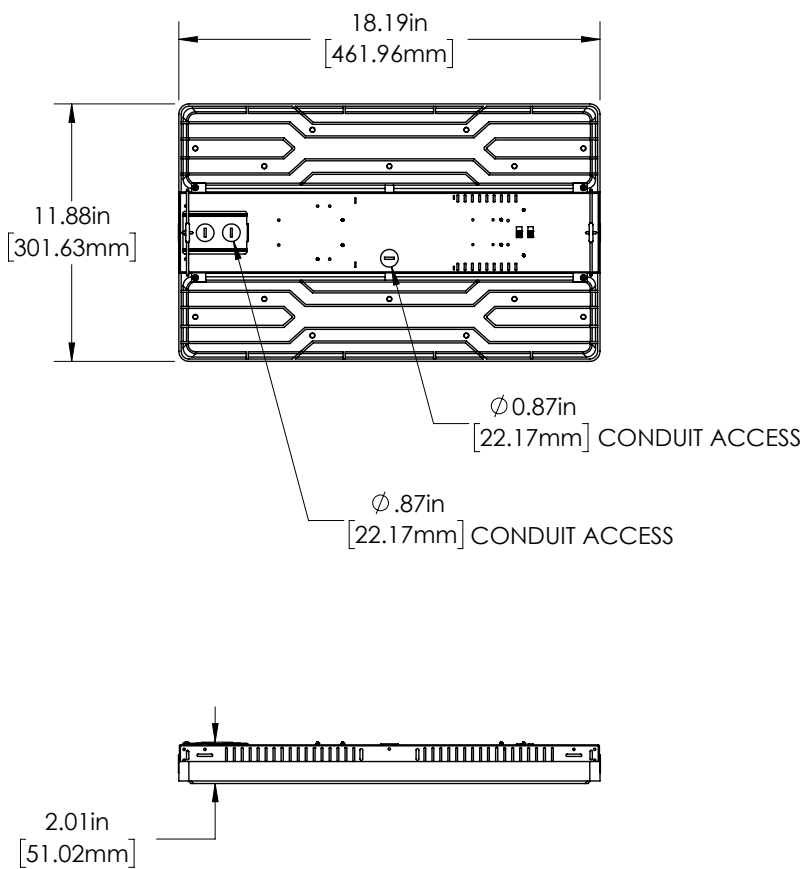
- 3.5 mm microwave motion sensor (ANT-5-4T)
- 3.5 mm Bluetooth PIR motion sensor (EFS106-AUX)



¹Contact customer service if interested in options other than those listed.

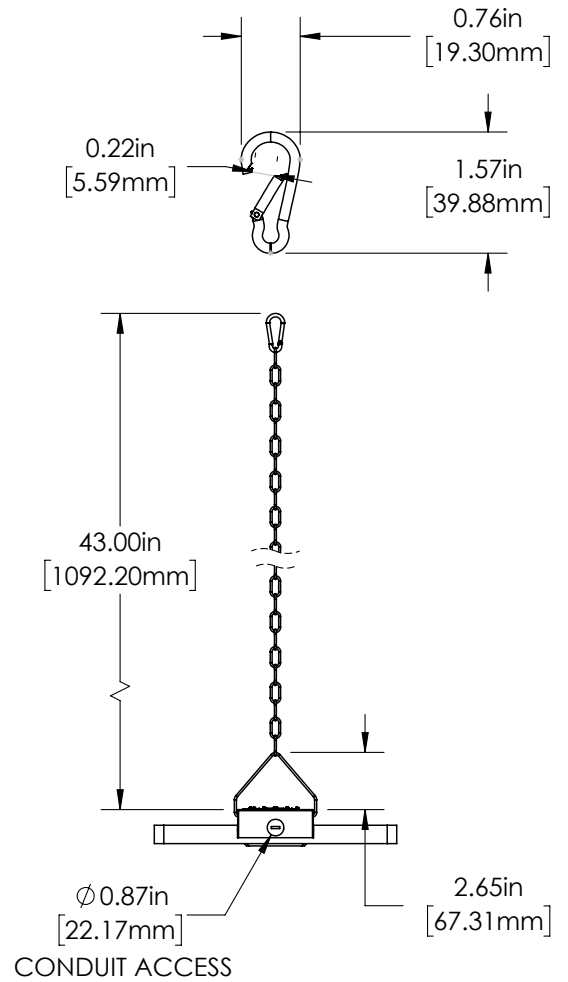
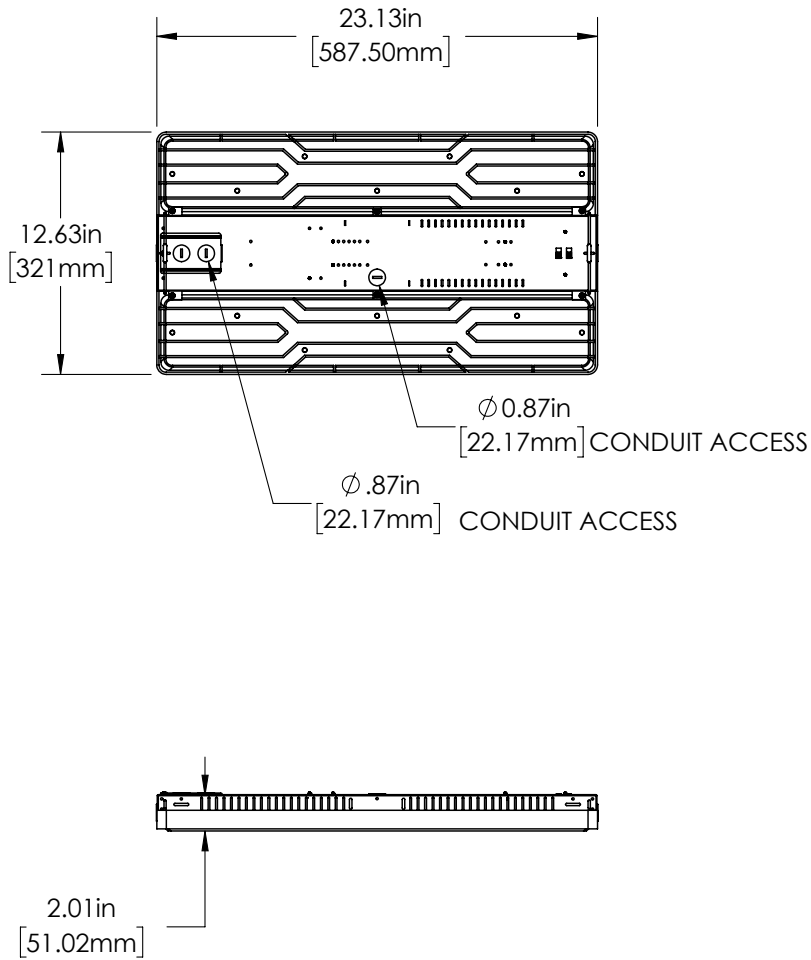
Dimensional Drawings

LHBDSA-SW2BS165-WHMBL



Dimensional Drawings

LHBDSA-SW2BS320-WHMBL



LHBDSA Series

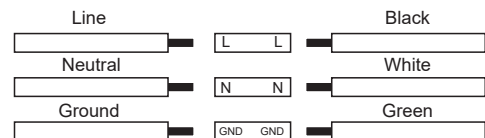
LED Linear High Bay Specifications

Specifications

LHBDSA-	SW2BS165-WHMBL	SW2BS320-WHMBL	SW2BS600-WHMBL
Intensity	18,200 / 21,000 / 23,100 lm	39,200 / 42,000 / 44,800 lm	56,000 / 70,000 / 84,000 lm
Power Consumption	130 / 150 / 165 W	275 / 300 / 320 W	400 / 500 / 600 W
Current Draw	120 VAC	1.1 / 1.25 / 1.4 A	2.3 / 2.5 / 2.7 A
	277 VAC	470 / 540 / 600 mA	1 / 1.1 / 1.2 A
Operating Voltage	120-277 VAC		
Efficacy	140 lm/W		
Color Temperature	4000K / 5000K (selectable)		
Beam Angle	90°		
CRI	80+		
Power Factor	≥ 0.9		
Dimming	0-10 V		
Surge Protection	6 kV		
Environmental Rating	IP20, suitable for damp locations		
Rated Life (L70)	50,000 hours		
Ambient Operating Temperature	-22°-122° F (-30°-50° C)		

Wiring Diagram

120-277 VAC Input



0-10 V Dimming

