



Straight Shade



Angled Shade

Available Models¹

Straight 14" Reflector

- GSL-SW3B35-RD-S
- GSL-SW3B35-BK-S
- GSL-SW3B35-GR-S

Angled 11" Reflector

- GSL-SW3B35-RD-A
- GSL-SW3B35-BK-A
- GSL-SW3B35-GR-A

Part Number Breakdown

Example: GSL-SW3B35-RD-S

Series	CCT	Wattage	Finish	Shade
GSL	SW3B [selectable, 3000K/4000K/5000K]	35 [35 W]	RD [red]	S [Straight]
			BK [black] or GR [green]	A [Angled]



Description

GSL series LED gooseneck barn lights are a durable lighting solution for signs, porches, patios, entryways, and more. Available in three different finishes—red, black, or green—these wall lights complement a variety of exteriors. Two available shade selections distribute a wide beam of light while reducing unnecessary uplight. Integrated LEDs offer better energy efficiency with reduced maintenance—no bulbs to replace.

Mechanical/Construction

- Powder-coated aluminum light head housing
- Steel neck and base
- Straight or angled shade options available
- Wall mounts to standard junction box
- IP65 waterproof

Electrical

- 120-277 VAC input
- 0-10V dimmable
- 18 AWG pigtail connection

Photometrics

- 120° beam angle
- Type V light distribution
- Selectable CCT: 3000K, 4000K, or 5000K

Application

Easily replaces inefficient fluorescent, halogen, and incandescent lights used for sign lighting or found in and around barns, driveways and pathways, entryways, garages, patios and porches, and storefronts.

Warranty

- Five (5) Year Warranty

Certifications and Compliances

- ETL Listed - UL 1598
- DLC 5.1 Standard listed



T 866.811.5550
 F 314.972.6202
 email: commercial-sales@superbrightleds.com
 www.superbrightleds.com/cat/residential-outdoor-light-fixtures/

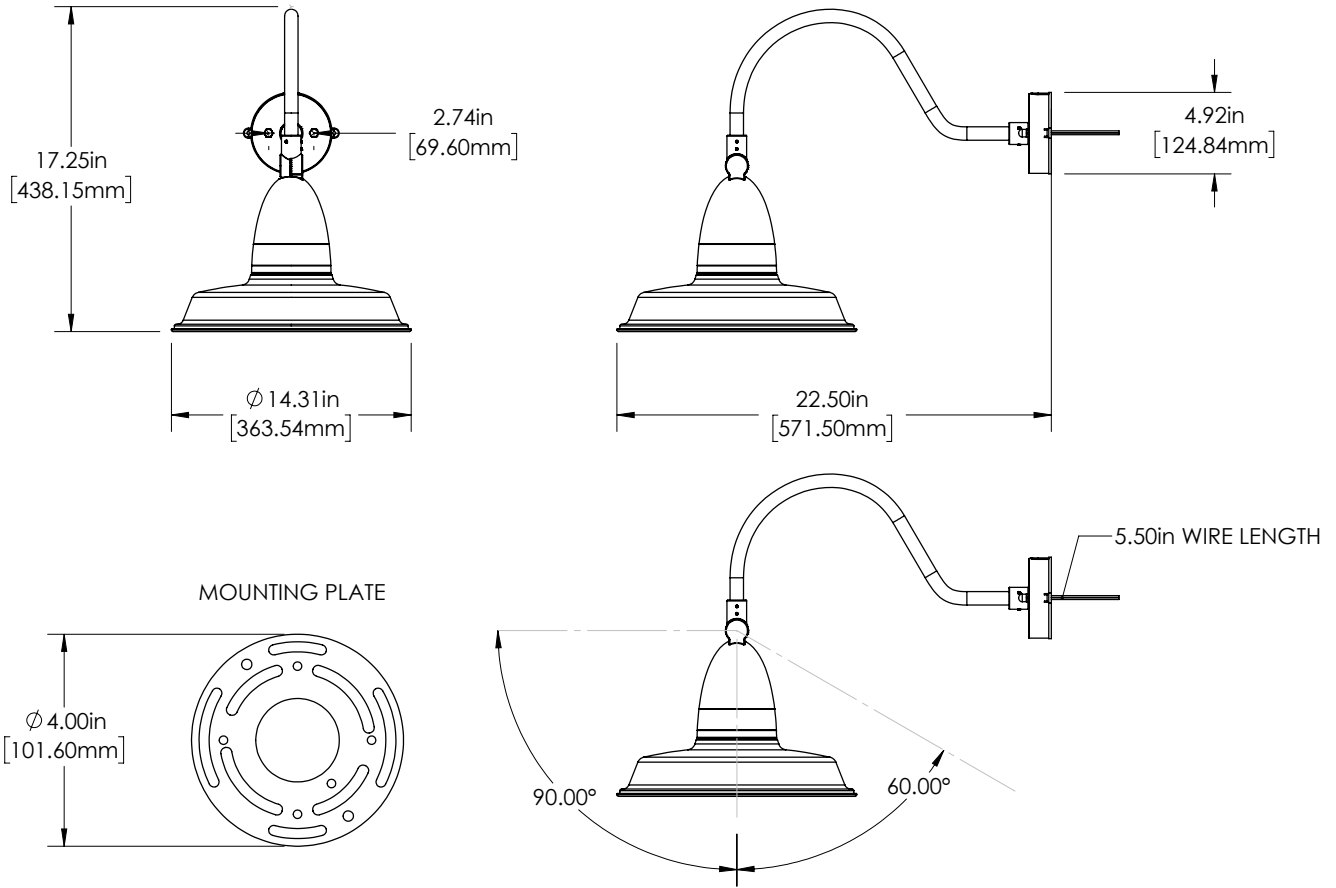
¹Contact customer service if interested in options other than those listed.

GSL Series

LED Gooseneck Barn Light

Dimensional Drawings

GSL-SW3B35-x-S

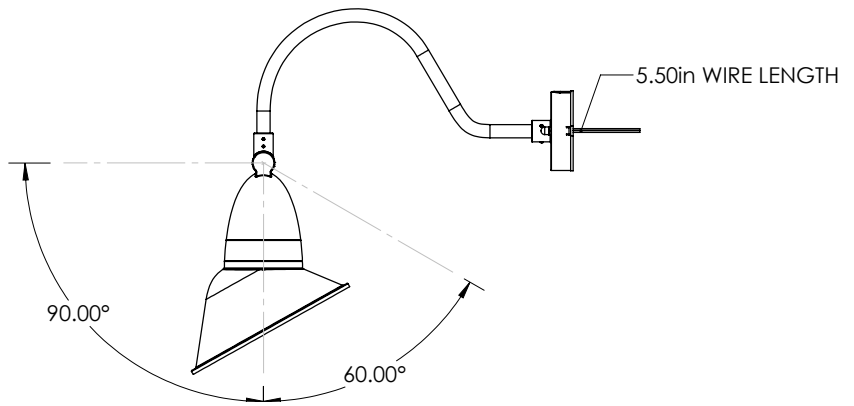
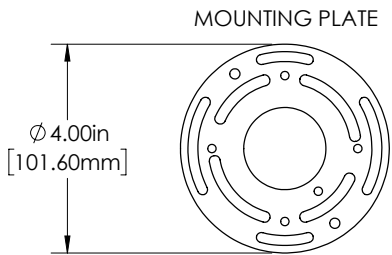
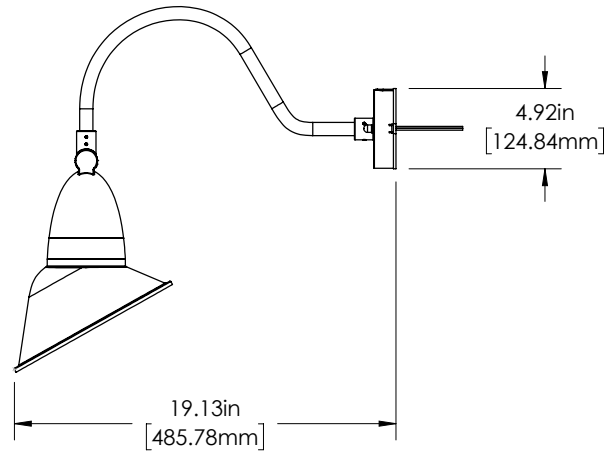
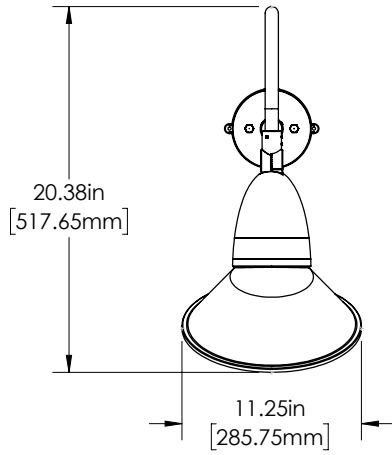


GSL Series

LED Gooseneck Barn Light

Dimensional Drawings

GSL-SW3B35-x-A



GSL Series

LED Gooseneck Barn Light

Specifications

Model		GSL-SW3B35-x-S	GSL-SW3B35-x-A
Shade Type		Straight	Angled
Operating Voltage		120-277 VAC	
Intensity		4,550 lm	
Power Consumption		35 W	
Efficacy		130 lm/W	
Current Draw	120 VAC	292 mA	
	277 VAC	126 mA	
Color Temperature		Selectable, 3000K / 4000K / 5000K	
Beam Angle		120°	
Distribution Type		Type V	
Dimming Type		0-10V	
IP Rating		IP65	
Surge Protection		4 kV	
Rated Life (L70)		100,000 hours	
Ambient Operating Temperature		-40°-104° F (-40°-40° C)	

