

Gooseneck Wall Light

Outdoor LED Barn and Sign Light Specifications

Project _____

Type _____ Date _____



Straight Shade



Angled Shade



Available Models¹

Straight 14" Shade

- GSL-SW3B35-RD-S
- GSL-SW3B35-BK-S
- GSL-SW3B35-GR-S

Angled 11" Shade

- GSL-SW3B35-RD-A
- GSL-SW3B35-BK-A
- GSL-SW3B35-GR-A

Part Number Breakdown

Example: GSL-SW3B35-RD-S

Series	Selectable CCT	Wattage	Finish	Shade
GSL [Gooseneck Sign Light]	SW3B [3000K, 4000K, or 5000K]	35 [35 Watts]	RD [red] BK [black] GR [green]	S [Straight] A [Angled]

Overview

The 35W LED gooseneck light provides a classic look and smooth lighting for commercial and residential applications. Use the selection switch during installation to select the desired color temperature from 3000K, 4000K, or 5000K. The durable aluminum housing has a long-lasting powder-coated finish. An IP65 water-resistant rating makes it ideal for indoor or outdoor lighting. Each light includes a shade with matching powder-coated finish. Available with steel straight shade (barn light) or aluminum angled shade (sign light).

Features

- Field Selectable CCT: 3000K, 4000K, and 5000K
- Architectural design with energy-efficient operation
- Corrosion-resistant and watertight construction
- Light and shade have a durable powder coat finish

Product Details

- Aluminum light head and mounting base, steel neck
- Straight shade: steel, Angled shade: aluminum
- 70W metal-halide equivalent
- IP65 water-resistant rating
- 120° beam angle
- 120-277 VAC input

Certifications and Complies

- ETL Listed - UL 1598
- DLC 5.1 Standard listed



Applications

- Commercial Lighting
- Entryways
- Garages
- Metal Buildings
- Patios
- Security Lighting
- Sign Lighting
- Storefronts

Warranty

- 5-year warranty



¹Contact customer service if interested in other options.

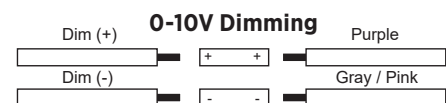
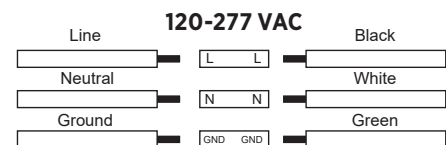
Gooseneck Wall Light

Outdoor LED Barn and Sign Light Specifications

SPECIFICATIONS		
Model	GSL-SW3B35-x-S	GSL-SW3B35-x-A
PHOTOMETRIC		
Lumens	4550 Lumens	
Efficacy	130 lm/W	
CCT	Selectable CCT (3000K, 4000K, or 5000K)	
Beam Angle	120°	
Distribution Type	Type V	
ELECTRICAL		
Wattage	35 Watts	
Current Draw	120 VAC	292 mA
	277 VAC	126 mA
Operating Voltage	120-277 VAC	
Power Factor	≥0.9	
Surge Protection	4kV/kA	
Dimmer Type	0-10V	
MECHANICAL		
Shade	Straight (steel)	Angled (aluminum)
Product Weight	6.4 lb (2.9 kg)	5.9 lb (2.7 kg)
Finish	Black, Green, or Red (as ordered)	
Product Materials	Aluminum light head and mounting base, steel neck	
Mount Type	Junction Box	
Input Connection	Pigtail	
Wire Gauge	18 AWG	
IP Rating	IP65	
Environmental Rating	Suitable for Wet Locations, Water-Resistant	
Rated Life (L70)	100000 Hours	
Ambient Operating Temperature	-40 to 40°C (-40 to 104°F)	

Model	DLC Product ID	Finish
GSL-SW3B35-BK-x	S-QOJTKD	Black
GSL-SW3B35-GR-x	S-XF10L8	Green
GSL-SW3B35-RD-x	S-FOV2T6	Red

Wiring Diagram

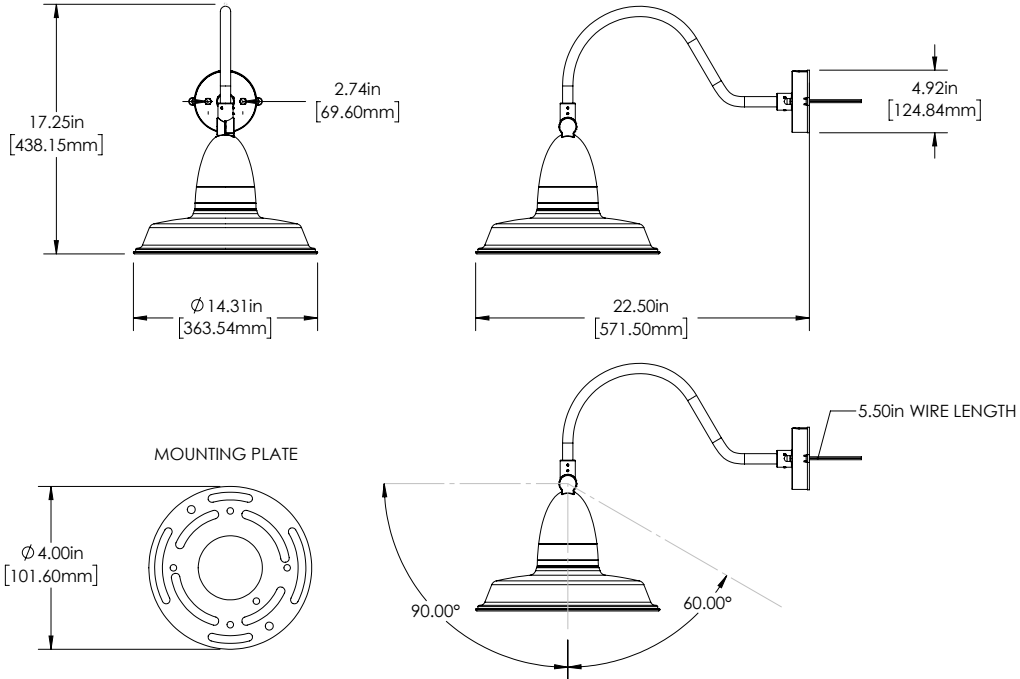


Gooseneck Wall Light

Outdoor LED Barn and Sign Light Specifications

Dimensional Drawings

GSL-SW3B35-x-S



GSL-SW3B35-x-A

