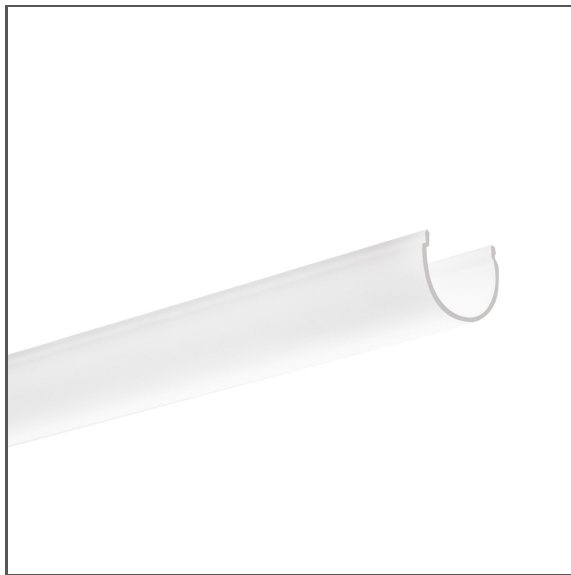


Cover G-L

Ref. 00413, 17010, 17006, 17008, 17012, 17017



APPLICATION

- LED protection and light diffusion in lighting fixtures

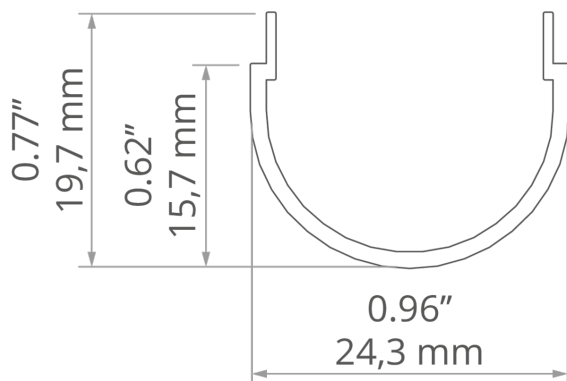
MOUNTING

- to the profile, by pressing

ADDITIONAL INFORMATION

- ATTENTION! rigid cover, not intended for bending or deformation
- standard lengths of KLUŚ profiles and covers: 1000 mm (tolerance ± 1.5 mm) and 2005 mm / 3010 mm (tolerance + 5 mm); for selected covers: 6050 mm, 10050 mm (tolerance + 5 mm)
- when choosing a different length of profiles / covers than available in the standard, you should additionally choose the cutting service at KLUŚ

TECHNICAL DRAWING



TECHNICAL SPECIFICATIONS

Material	PMMA	Color	Length	Light transmission	Ref
Shape	semicircular		1000 mm		00413_1
Maximum length on request	6000 mm	<input type="checkbox"/> frosted	2000 mm	47 %	00413_2
Width	24 mm		3000 mm		00413_3
High mechanical resistance	yes		1000 mm		17010_1
UV resistance	yes	<input type="checkbox"/> frosted	2000 mm	69 %	17010_2
			3000 mm		17010_3
			1000 mm		17006_1
		<input checked="" type="checkbox"/> clear	2000 mm	95 %	17006_2
			3000 mm		17006_3
			1000 mm		17008_1
			2000 mm		17008_2
		<input type="checkbox"/> semi-transparent		85 %	

Cover G-L

Ref. 00413, 17010, 17006, 17008, 17012, 17017

Color	Length	Light transmission	Ref
	3000 mm		17008_3
	1000 mm		17012_1
■ black	2000 mm	30 %	17012_2
	3000 mm		17012_3

RELATED PROFILES



GIZA
B5556



GIZA-LL
C0758



GIZA-LL-T
C2479



GIZA-LL-UST
C2724



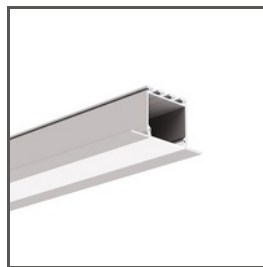
KOZEL
B6454



KOZUS
B7823



KOZUS-CR
C0600



LARKO
B5552



LIPOD
B5554



LOC-30
18015



LOKOM
B5553



OPAC-30
B6164