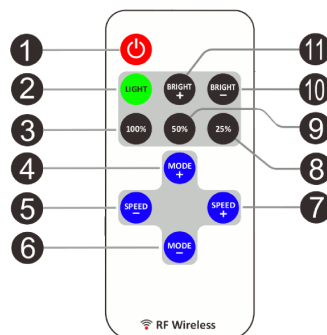
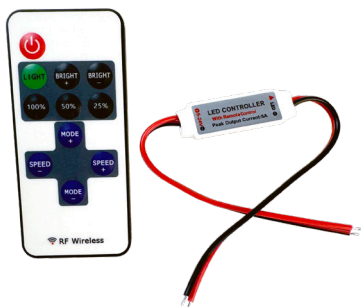


**Important: Read all instructions prior to installation.**

## LED Controller with Wireless RF Remote

### MCBRF-4A



- 8 Dynamic Modes
- 10-Level Dimmer
- 256 Step PWM
- Adjustable Speed
- Adjustable Brightness
- Card Type Remote
- Ultra Slim Design
- Smooth Dimming
- 1 Controller to 1 Remote Pairing
- Auto Saves Settings

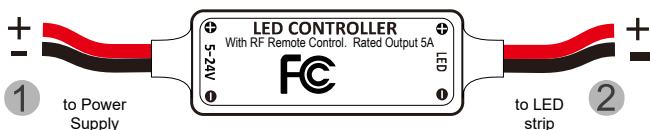
### Specifications

Working voltage	5–24 VDC
Output current	4 Amps
Remote control mode	RF Wireless
Battery	3V CR2032
Remote distance (Max)	15 m (in open area)

### Controller Installation and Remote Pairing

#### Controller Installation

1. With supply power off, connect wiring on each side of controller. Wiring must be connected as labeled on the controller.



Note: Supply voltage must match strip input voltage.

2. Once wiring is complete, apply power to test system.

#### Remote Pairing

Note: Before pairing remote, remove plastic tab from battery compartment.

3. To pair the remote, remove power from the controller for 5 seconds. Re-apply power to controller and within 5 seconds, press and hold **Speed+** and **Speed-** buttons for 5 seconds. Up to three remotes can be paired to a controller.

Note: A remote can be unpaired by pairing new remotes until memory of the first remote is erased.

### Safety

- Do not connect controller or LEDs directly to 120 VAC power. This controller requires a 5–24 VDC power supply.
- Do not exceed max load of 4 amps, overloading the controller may cause overheating, shorting, and possibly failure of controller.
- Be sure the power supply is not plugged into an outlet before connecting or disconnecting any of the systems components.
- Do not expose the controller or remote to direct or indirect moisture.
- Always observe proper polarity when connecting power and load.

### WARNING

- **INGESTION HAZARD:** This product contains a button cell or coin battery.
- **DEATH** or serious injury can occur if ingested.
- A swallowed button cell or coin battery can cause **Internal Chemical Burns** in as little as **2 hours**.
- **KEEP** new and used batteries **OUT OF REACH OF CHILDREN**
- **Seek immediate medical attention** if a battery is suspected to be swallowed or inserted inside any part of the body.



### Functions

#### 1. Turn On/ Standby

Turns on controller or enters standby mode. Previous settings recalled on power up.

#### 2. Static Light Mode

Switches to static mode from dynamic

#### 3/8/9. Dimmer Presets

Set brightness to 100%, 50%, or 25%. (Static light mode only)

#### 4/6. Dynamic Mode Adjust

Switch to dynamic mode from static light mode. In dynamic mode these buttons switch between various dynamic modes.

#### 5/7. Dynamic Speed Adjust

Adjusts speed of dynamic patterns. Press Speed + to increase speed and press Speed - to decrease it. Unit will automatically switch from static to dynamic mode when pressed.

#### 10/11. Brightness Adjust

Adjusts brightness in static light mode. Press Bright + to increase brightness and press Bright - to decrease it. Unit will automatically switch from dynamic mode to static mode when pressed. Dimming adjustment is in 10% increments.

### Battery Safety

- Remove and immediately recycle or dispose of used batteries according to local regulations and keep away from children. Do NOT dispose of batteries in household trash or incinerate.
- Even used batteries may cause severe injury or death.
- Call a local poison control center for treatment information.
- Non-rechargeable batteries are not to be recharged.
- Do not force discharge, recharge, disassemble, heat above (manufacturer's specified temperature rating) or incinerate. Doing so may result in injury due to venting, leakage or explosion resulting in chemical burns.
- Ensure the batteries are installed correctly according to polarity (+ and -).
- Do not mix old and new batteries, different brands or types of batteries, such as alkaline, carbon-zinc, or rechargeable batteries.
- Remove and immediately recycle or dispose of batteries from equipment not used for an extended period of time according to local regulations.
- Always completely secure the battery compartment. If the battery compartment does not close securely, stop using the product, remove the batteries, and keep them away from children.

