

Part Number: C-FOX-WL0250ORB Series 5W Waterproof Landscape Light

01 / WARNING

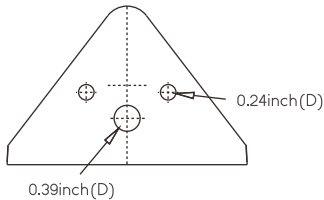
1. ALL electrical connections MUST be done following the local and National Electrical Code (N.E.C) standards. If you're unfamiliar with proper electrical wiring connections, PLEASE contact and obtain the services of a qualified electrician. ONLY use UL or IEC approved wires for input/output connections.
2. Take the fixture and accessories out of the package. Make sure that none of the parts are missing.
3. TURN OFF THE POWER before installing, inspecting, or removing the fixture. Use ALL necessary precautions while performing this procedure.
4. Consult with a qualified electrician to ensure the correct branch circuit conductor. Min 90°C supply conductors.
5. DO NOT reverse the hot and neutral connections, otherwise, safety will be compromised.
6. There are no lamps/bulbs to replace in this integrated LED fixture.
7. Ensure that the fixture temperature is cool to touch.
8. DO NOT clean or maintain when this fixture is energized.

02 / PACKAGE CONTENT

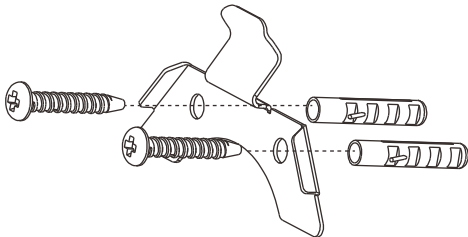
- 5W waterproof landscape lights × 1
- Screws × 2
- Templates × 1
- Mounting brackets × 1
- Waterproof wire nuts × 2
- Plastic anchors × 2

03 / INSTALLATION

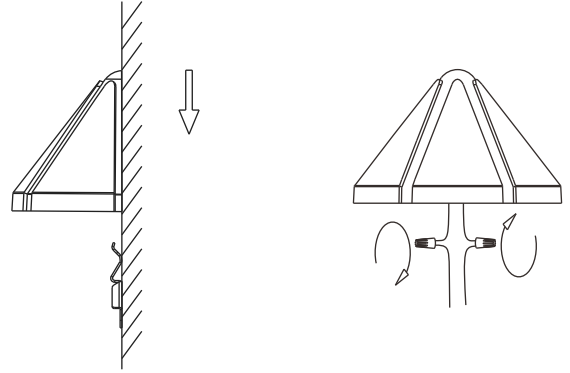
1. Check to see if the power supply voltage is 12-24V AC/DC before installing. Then turn off the power.
2. Choose a proper installation location then stick on the template. Drill holes following the template.



3. Insert the plastic anchors into the holes. Using screws, tighten the mounting bracket.



4. Slide the fixture down the wall, make sure the fixture is firmly fixed to the mounting bracket.
5. Connect the wires by twisting the waterproof wire nuts clockwise. The installation is now complete.



04 / SPECIFICATIONS

5W Waterproof Landscape Light	
Power	5W
Voltage	12-24V AC/DC
Working temperature	-4°F-140°F
Luminous flux	300lm
CRI	>90
Color temperature	2700K Soft White/4000K Cool White
Beam angle	120°

05 / TROUBLESHOOTING

1. Make sure that the line voltage at the fixture is correct.
2. Make sure that there is power at the lamp fixture wires. If not, check all connections.
3. Check to make sure that the fixture is properly grounded.

If the fixture doesn't work:

1. Check the switch to make sure there aren't any defects.
2. Check the fuse box/circuit breaker for any trips, then check the wire connections.
3. Check the waterproof wire nuts to make sure that they are properly connected.

06 / CLEANING AND MAINTENANCE

1. Clean the lens and fixture with a non-abrasive cleaning solution.
2. DO NOT open the fixture to clean the LED. DO NOT touch the LED.
3. DO NOT spray liquid directly on to the LED, LED driver, or wiring.