

**CDLxD Series**

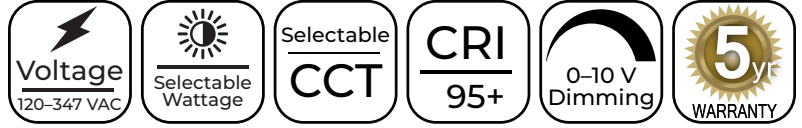
95+ CRI Selectable CCT/Wattage LED Downlight

Project \_\_\_\_\_

Date \_\_\_\_\_ Type \_\_\_\_\_



CDL8D-SW5AU-SP36M



**Available Models<sup>1</sup>**

- CDL6D-SW5AU-SP27M
- CDL8D-SW5AU-SP36M

**Part Number Breakdown**

Example: CDL8D-SW5AU-SP36M

Series	Size	Dimming	Selectable CCT	CRI	Selectable Wattage	Trim Cone
CDL [Commercial Downlight]	6 [6 in.]	D [0-10 V]	SW5A [2700K/3000K/ 3500K/4000K/ 5000K]	U [95+]	SP27 [13/19/27 W]	M [satin aluminum]
	8 [8 in.]				SP36 [18/27/36 W]	

**Overview**

The commercial deep recessed LED downlight features an ultra-high 95+ CRI, closely mimicking natural daylight and enhancing vibrant colors. It is perfect for environments where accurate color rendering is essential, such as offices, retail spaces, galleries, and hospitality settings. The downlight offers selectable CCT (2700K, 3000K, 3500K, 4000K, 5000K) and selectable wattages, customizable via switches on the top of the fixture. It is an energy-efficient replacement for traditional metal-halide fixtures, delivering equivalent lumens while consuming significantly less power. The deep recessed design minimizes glare and enhances visual comfort.

**Applications**

- Auditoriums
- Commercial Downlights
- Conference Halls
- Hospitality
- Hospitals
- New Constructions
- Offices
- Retail Shops
- Schools

**Warranty**

- 5-year warranty

**Certifications and Compliances**

- ETL Listed - UL 1598



**Features**

- Ultra-high 95+ CRI for exceptional color rendering
- Deep recessed housing to minimize glare
- Selectable CCT and wattage
- IC-rated for direct contact with insulation

**Product Details**

- Durable aluminum trim cone with white powder-coated trim ring
- Frosted polycarbonate lens
- Suitable for damp locations
- 120° beam angle
- IC-rated for direct contact with insulation
- 0-10V Dimmable
- 120-347 VAC



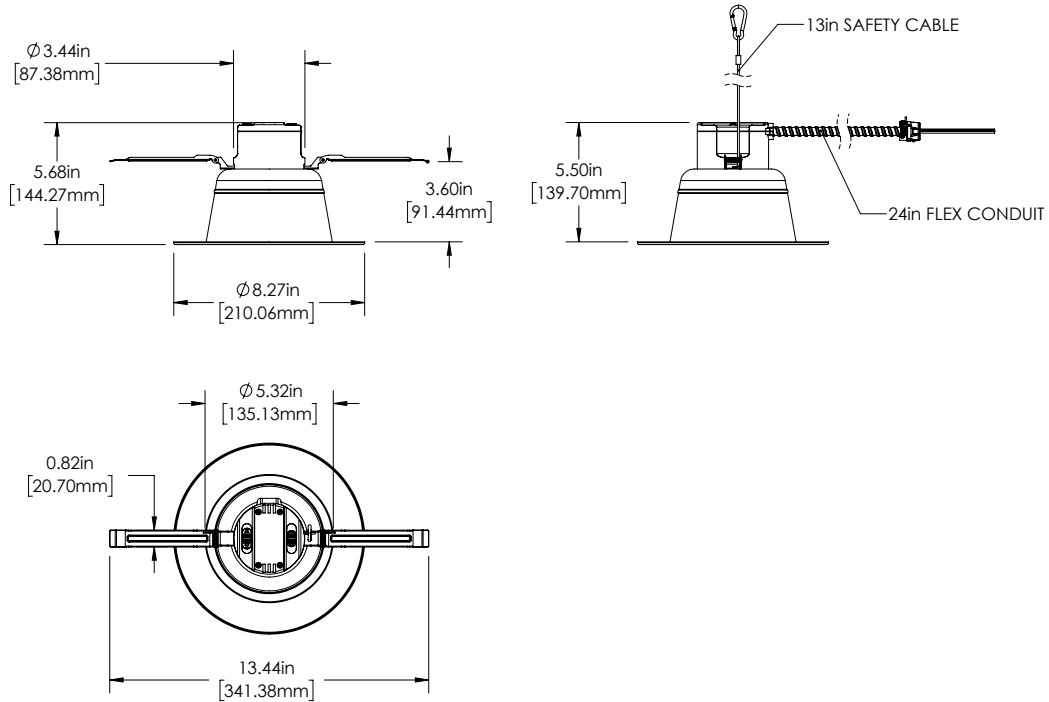
<sup>1</sup>Contact customer service if interested in other options.

## CDLxD Series

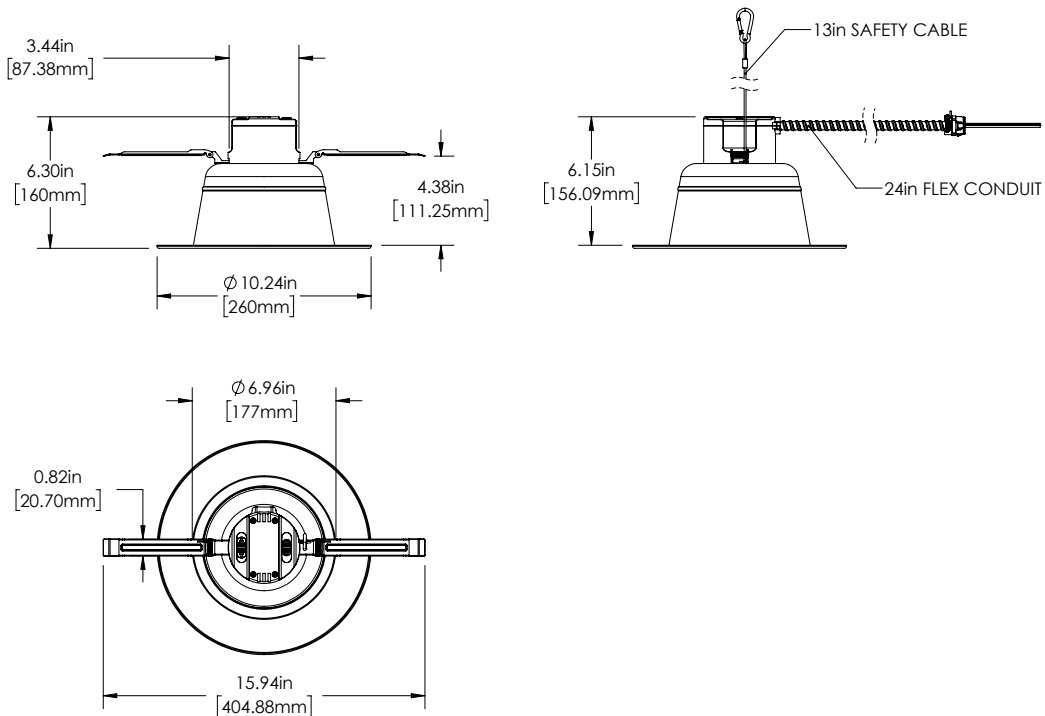
95+ CRI Selectable CCT/Wattage LED Downlight

### Dimensional Drawings

CDL6D-SW5AU-SP27M



CDL8D-SW5AU-SP36M



## CDLxD Series

95+ CRI Selectable CCT/Wattage LED Downlight

### Specifications

Model		CDL6D-SW5AU-SP27M	CDL8D-SW5AU-SP36M
Lumens		1,200 / 1,600 / 2,400 lm	1,600 / 2,400 / 3,200 lm
Wattage (selectable)		13/19/27 W	18/27/36 W
Current Draw	120 VAC	120/176/250 mA	167/250/333 mA
	277 VAC	50/75/105 mA	72/108/144 mA
Operating Voltage		120-347 VAC	
Efficacy		90 lm/W	
Color Temperature		Selectable (2700K, 3000K, 3500K, 4000K, 5000K)	
Beam Angle		120°	
CRI		95+	
Dimming		0-10 V	
IC Rated		Yes	
Airtight Rated		Yes	
Environmental Rating		Suitable for Damp Locations	
Power Factor		≥ 0.9	
Surge Protection		LN-G: 2 kV	
Rated Life (L70)		50,000 hours	
Ambient Operating Temperature		-4°-113° F (-20°-45° C)	

