

**Important: Read all instructions prior to installation.**

## LED High Bay Light



HBUD2-50K300LSD

### Specifications

Environmental Specifications	
Operating Temperature	-22°–122° F (-30°–50° C)
IP Rating	IP65

Check product label for specific electrical specifications related to installation. Improper installation will void warranty.

### Optional Accessories

- 100–300 W versions
- HBUD-MS (microwave motion sensor)
  - HBUD-8 (polycarbonate reflector)
  - HBUD-8-UB (U-bracket)

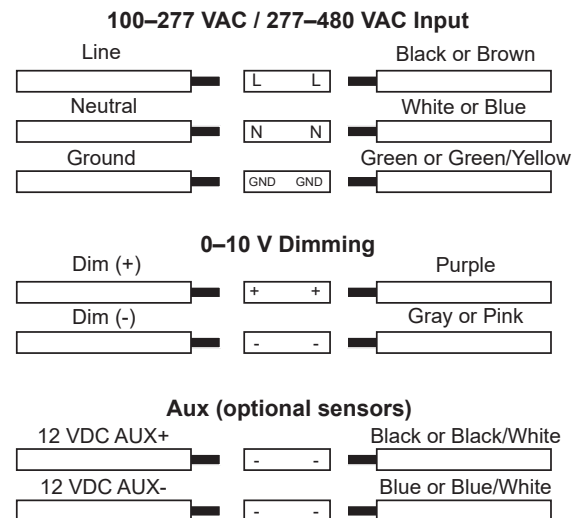
### U-Bracket Installation Instructions

1. Secure mounting plates to fixture with provided screws.
2. Attach U-bracket to mounting plate with provided screws and nuts.
3. Attach mounting bracket to desired surface.
4. Position U-bracket at desired angle and secure in place.
5. With supply power off, connect wiring.

### Safety and Notes

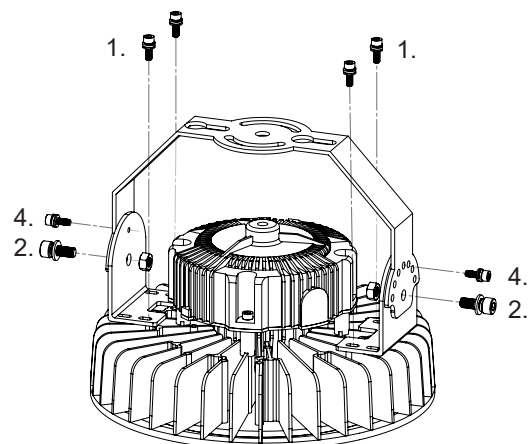
- Product should be installed and serviced by a certified electrician in accordance with applicable national, state, and local building and electrical codes.
- To reduce the risk of electric shock, ensure that the main power source and circuit breakers are switched off before performing any installation or wiring procedures.
- Avoid looking directly into lamp when illuminated.
- Ensure all mounts are securely attached and will support the weight of the fixture. Failure to properly support fixture may result in damage or injury, for which the manufacturer does not assume responsibility.

### Wiring Diagram



### Eye Bolt/Hook Installation Instructions

1. Thread eye bolt / hook into hole on top of fixture and tighten.
2. Hang fixture securely.
3. With supply power switched off, connect wiring.

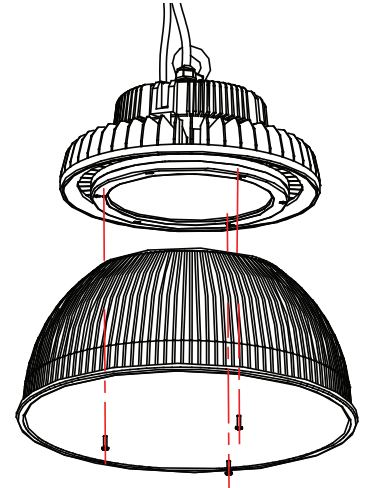
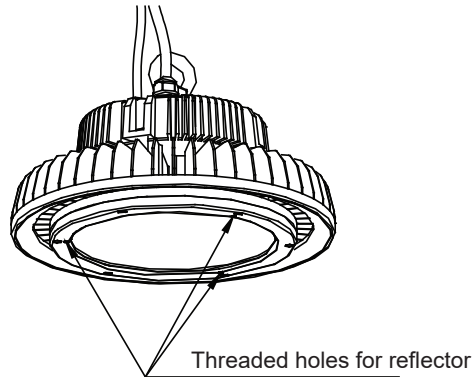


**Important: Read all instructions prior to installation.**

## LED High Bay Light

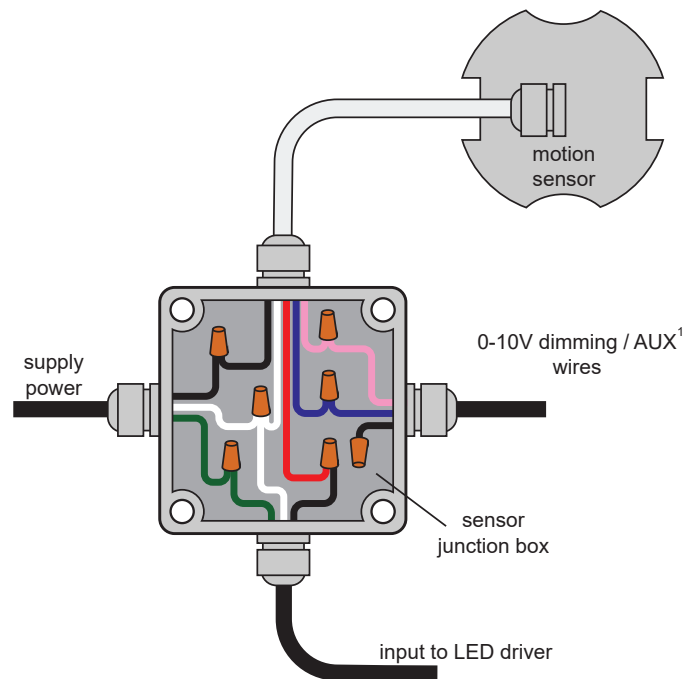
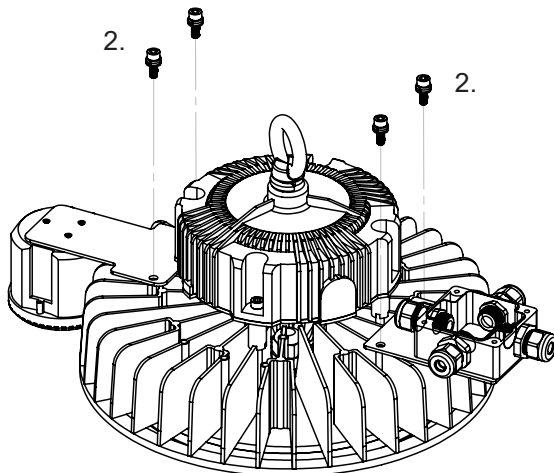
### Polycarbonate Reflector Installation Instructions

1. Turn fixture upside down, if needed.
2. Line up the three holes on reflector with three threaded holes on the light.
3. Attach reflector using provided screws.



### HBUD-MS Motion Sensor Installation Instructions

1. Remove supply power prior to installation.
2. Position motion sensor and sensor junction box on opposite sides of the light and attach using provided hardware.
3. Connect wiring according to wiring diagram below.



<sup>1</sup>Cap unused AUX wire(s).

