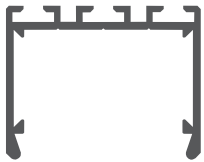


**Parts needed to mount the 3035-O extrusion**



Extrusion (A)



Cover (B)



LED strip (C)



End cap (D)

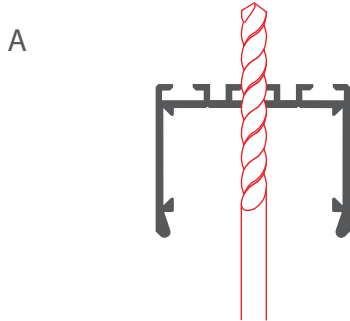
**Tools needed for mounting:**

- drill
- screwdriver

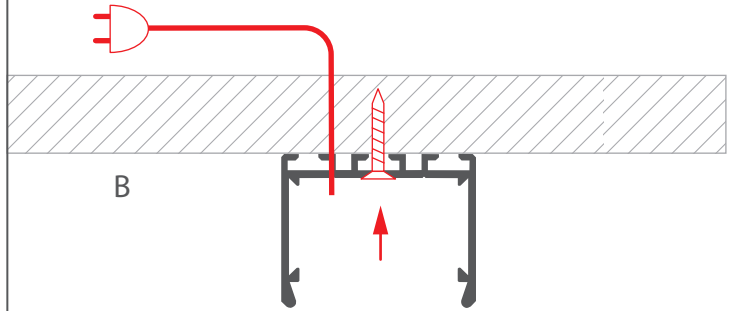
**NOTE!** All LED strips must be connected to a 12 V or 24 V power supply.

**IMPORTANT:** The manual presents the simplest mounting procedure.  
More mounting procedures and related accessories can be found at [www.klusdesign.com](http://www.klusdesign.com)

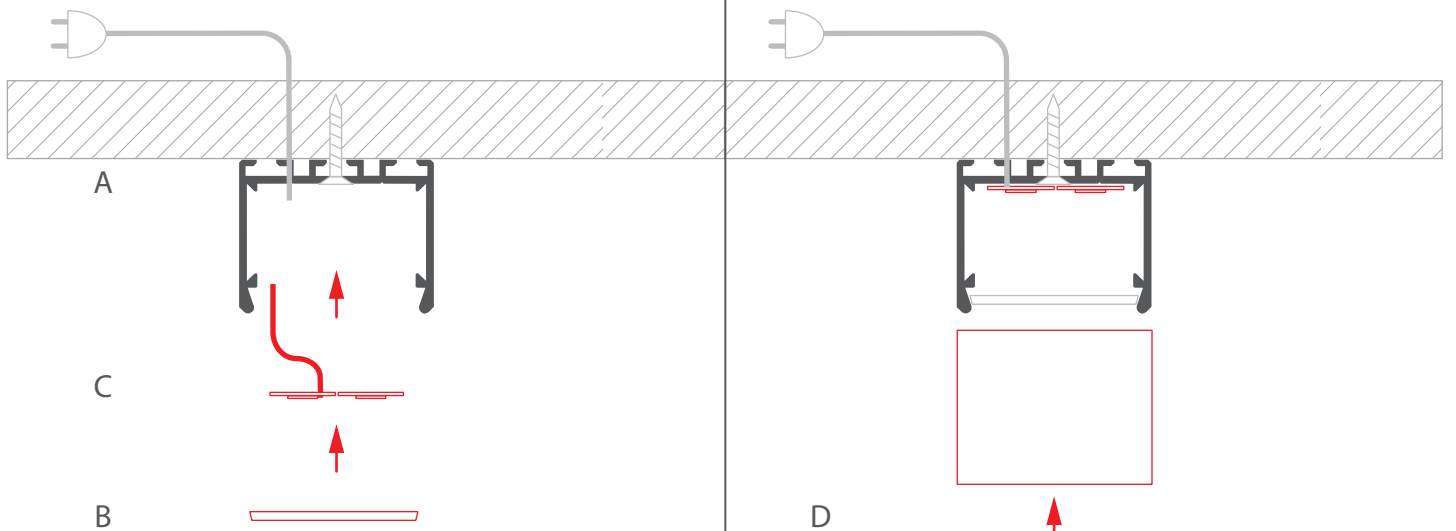
**1.** Drill a hole in the extrusion (A).



**2.** Feed the power cable and attach the extrusion (A) to the mounting surface with screws.



**3.** Mount the LED strip (C) and connect the wires. Insert the cover (B).



**4.** Mount the end caps (D).

